

COLOR PARTS INDEX FOR " EURC

N	MODEL		HF15W-8		HF15W-8	
	BASIC COLOR		BLUE		BLACK	
O	CODE		BU-4035S	CO	BK-001BUP	KJ
Item	Parts Number	Description	Basic Color	Code	Basic Color	Code
1	50610-H3A-000	FLOOR PANEL	BK-001U	KA	BK-001U	KA
2	50613-H3A-000	UNDER COVER	BK-001U	KA	BK-001U	KA
3	50620-H3A-000	BATTERY LID	BK-001U	KA	BK-001U	KA
4	53206-H3A-010	RR.HANDLE COVER	BU-4035S	CO	BK-001BUP	KJ
5	5320C-H3A-010	FR. HANDLE COVER ASSY	BU-4035S	CO	BK-001BUP	KJ
6	61100-H3F-000	FR. FENDER	BU-4035S	CO	BK-001BUP	KJ
7	64300-H5K-000	FR. UNDER SPOILER	BU-4035S	CO	BK-001BUP	KJ
8	6430G-H5N-000	FR.COVER ASSY	N/A		N/A	
8-1	53207-H9A-000	RR.HANDLE COVER EMBLEM				
8-2	64301-H3F-900	FR. COVER	BU-4035S	CO	BK-001BUP	KJ
9	64318-H6B-010	FRAME NUMBER LID	BK-001U	KA	BK-001U	KA
10	6431A-H3F-000	RR.R.FLOOR PANEL ASSY	BK-001U	KA	BK-001U	KA
11	6431B-H3F-000	RR.L.FLOOR PANEL ASSY	BK-001U	KA	BK-001U	KA
12	64320-H3A-000	FLOOR MAT	BK-001U	KA	BK-001U	KA
13	80105-H3A-000	RR. INNER FENDER	BK-001U	KA	BK-001U	KA
14	80107-H3A-000	RR. MUDGARD	BK-001U	KA	BK-001U	KA
15	80151-H3A-000	CENTER COVER	BK-001U	KA	BK-001U	KA
16	81131-H5K-000	FR.INNER COVER	BU-4035S	CO	BK-001BUP	KJ
17	8120A-H3B-000	RR. CARRIER ASSY	BU-4035S	CO	BK-001BUP	KJ
18	8125A-H5A-900	LUGGAGE BOX ASSY	BK-001U	KA	BK-001U	KA
19	8350G-H5F-010	R. BODY COVER ASSY	N/A		N/A	
19-1	83500-H3F-000	R. BODY COVER	BU-4035S	CO	BK-001BUP	KJ
19-2	87127-H5F-010	BODY COVER STRIPE	TYPE1		TYPE1	
20	83520-H3A-000	R. SIDE COVER ASSY	BU-4035S	CO	BK-001BUP	KJ
21	8360G-H5F-010	R. BODY COVER ASS'Y	N/A		N/A	
21-1	83600-H3F-000	L. BODY COVER	BU-4035S	CO	BK-001BUP	KJ
21-2	87127-H5F-010	BODY COVER EMBLEM	TYPE1		TYPE1	

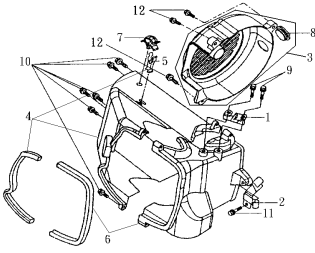
150 "

HF15W-8		HF15W-8	
RED		SILVER	
R-010CA	RT	S-880S	SQ
Basic Color	Code	Basic Color	Code
BK-001U	KA	BK-001U	KA
BK-001U	KA	BK-001U	KA
BK-001U	KA	BK-001U	KA
R-010CA	RT	S-880S	SQ
R-010CA	RT	S-880S	SQ
R-010CA	RT	S-880S	SQ
R-010CA	RT	S-880S	SQ
N/A		N/A	
R-010CA	RT	S-880S	SQ
BK-001U	KA	BK-001U	KA
BK-001U	KA	BK-001U	KA
BK-001U	KA	BK-001U	KA
BK-001U	KA	BK-001U	KA
BK-001U	KA	BK-001U	KA
BK-001U	KA	BK-001U	KA
BK-001U	KA	BK-001U	KA
BK-001U	KA	BK-001U	KA
BK-001U	KA	BK-001U	KA
R-010CA	RT	S-880S	SQ
R-010CA	RT	S-880S	SQ
BK-001U	KA	BK-001U	KA
N/A		N/A	
R-010CA	RT	S-880S	SQ
TYPE1		TYPE1	
R-010CA	RT	S-880S	SQ
N/A		N/A	
R-010CA	RT	S-880S	SQ
TYPE1		TYPE1	

ENGINE GROUP 1

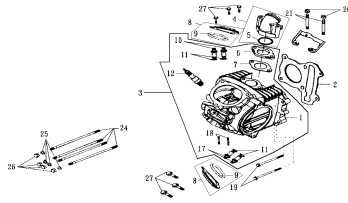
E01

FAN COVER · SHROUD



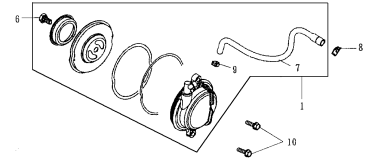
E02

CYLINDER HEAD



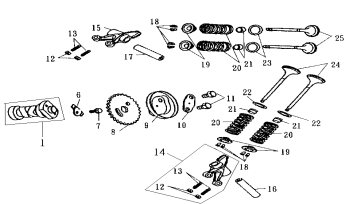
E03

CYLINDER HEAD L. COVER



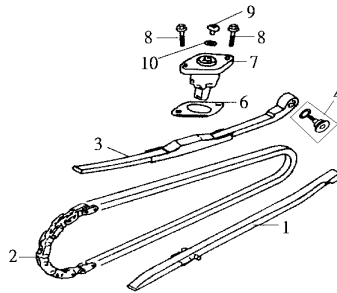
E04

CAM SHAFT · VALVE



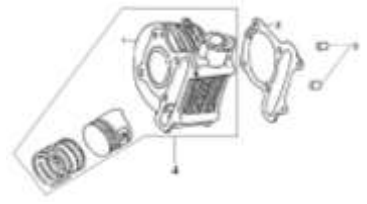
E05

CAM CHAIN · TENSIONER



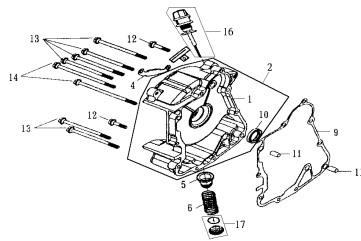
E06

CYLINDER



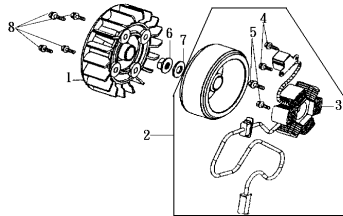
E07

R. CRANK CASE COVER



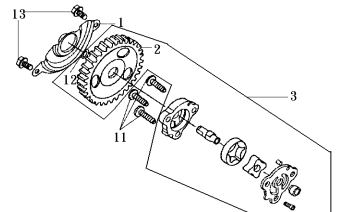
E08

AC. GENERATOR



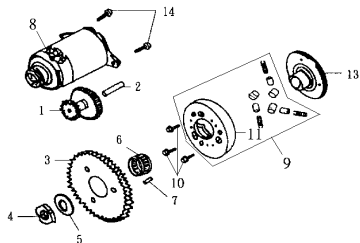
E09

OIL PUMP



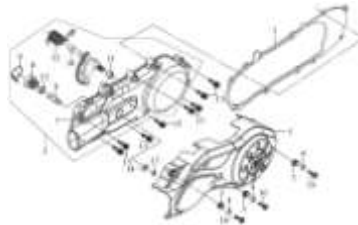
E10

STARTING MOTOR



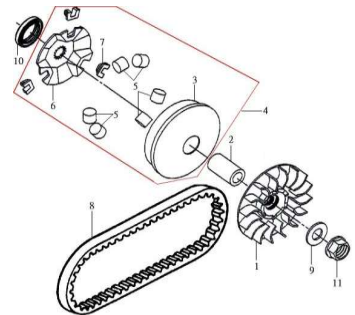
E11

L. CRANK CASE COVER



E12

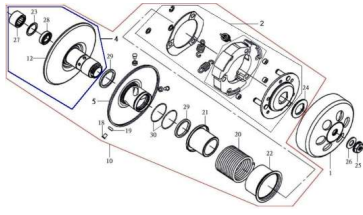
DRIVE FACE



ENGINE GROUP 2

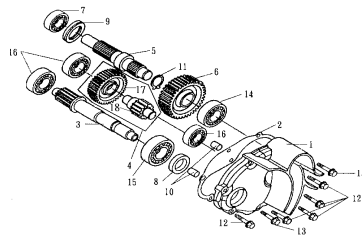
E13

DRIVEN PULLEY



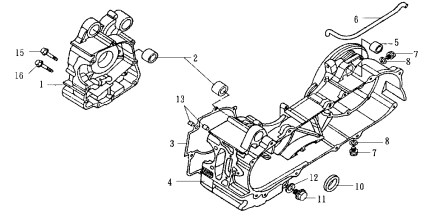
E14

TRANSMISSION



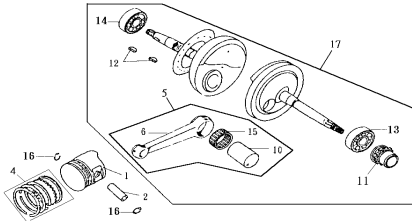
E15

CRANK CASE



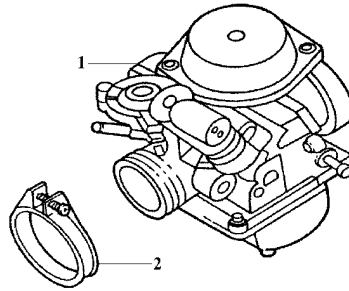
E16

CRANK-PISTON



E17

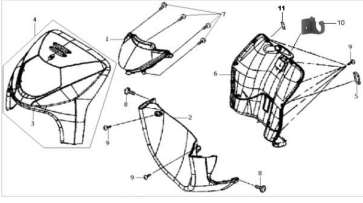
CARBURETOR



FRAME GROUP 1

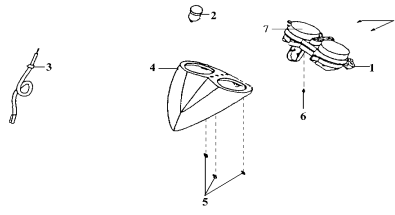
F01

FR. COVER&HEAD LIGHT



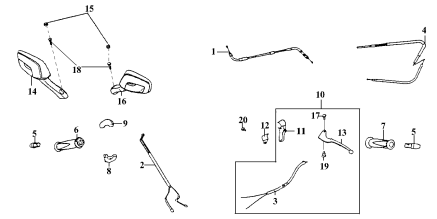
F02

Speedometer Assy



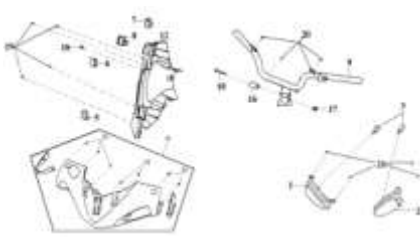
F03

Handle lever. Switch. Cable



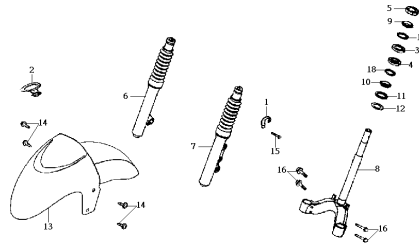
F04

Steering Handle . Handle cover



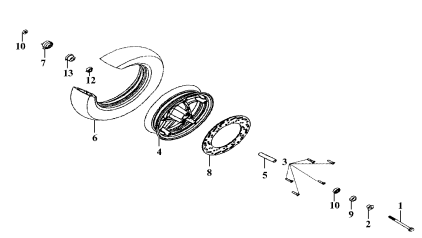
F05

FR FENDER&CUSHION



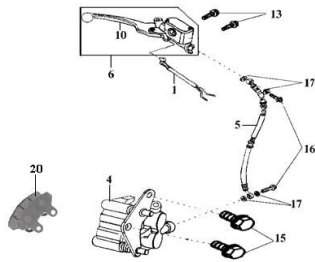
F06

Front Wheel



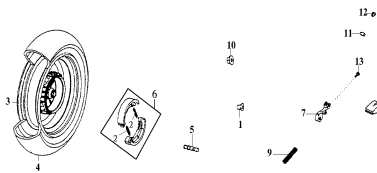
F07

Front Brake



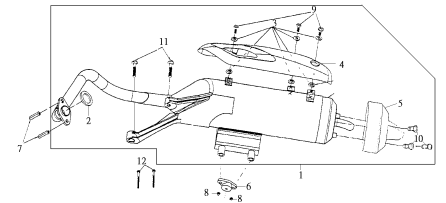
F08

Rear Wheel



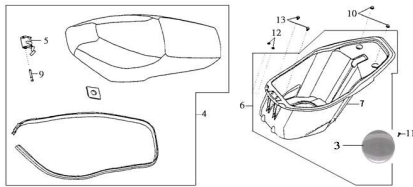
F09

EXH Muffler



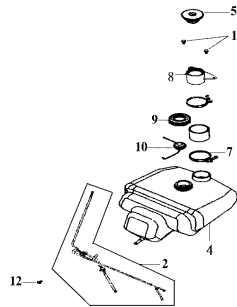
F10

Seat. Luggage Box



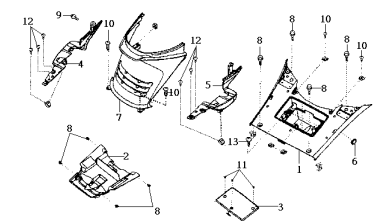
F11

Fuel Tank



F12

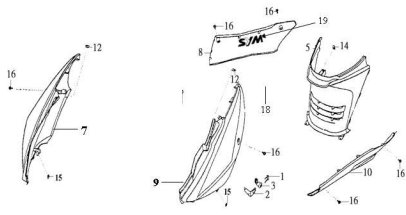
FLOOR PANEL & FLOOR PANEL



FRAME GROUP 2

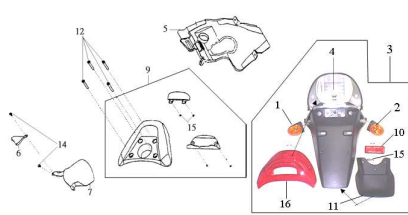
F13

Body Cover



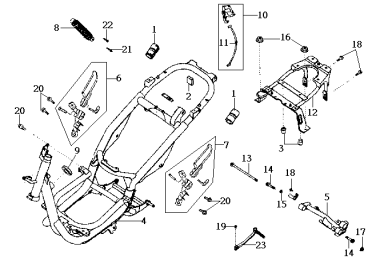
F14

Tail Light Rear Carrier



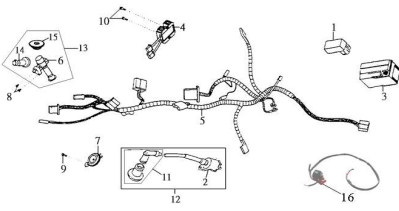
F15

FRAME BODY



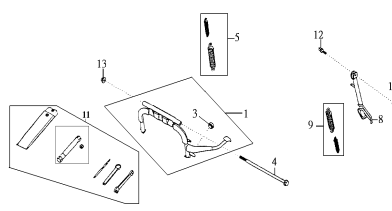
F16

Wire Harness



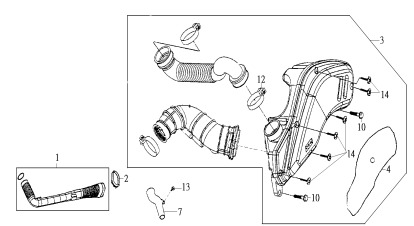
F17

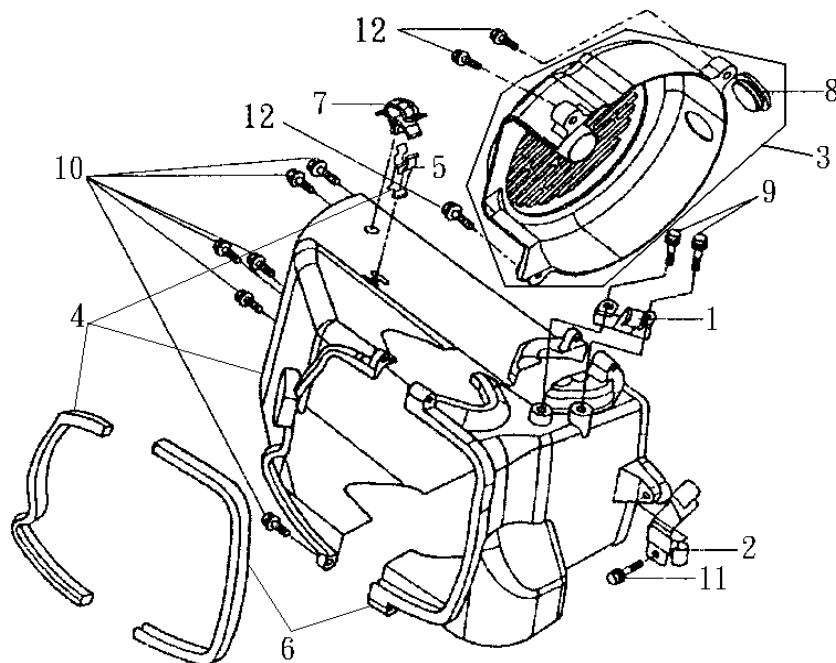
Main Stand . Side stand



F18

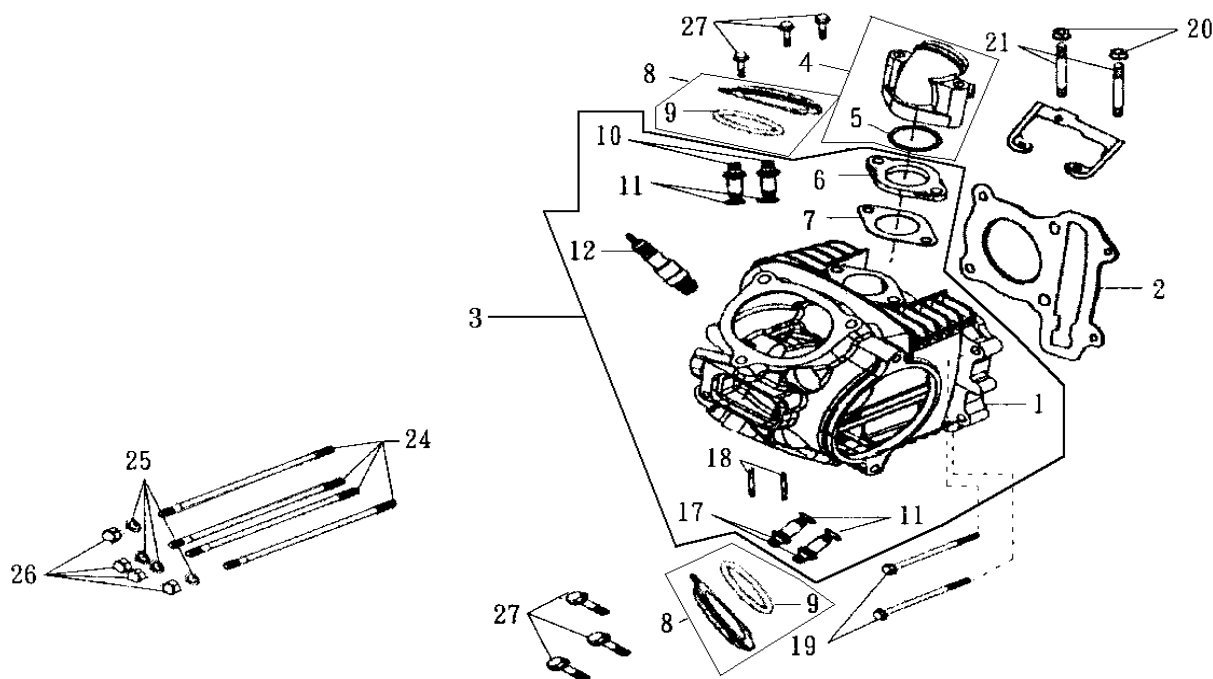
Air Cleaner





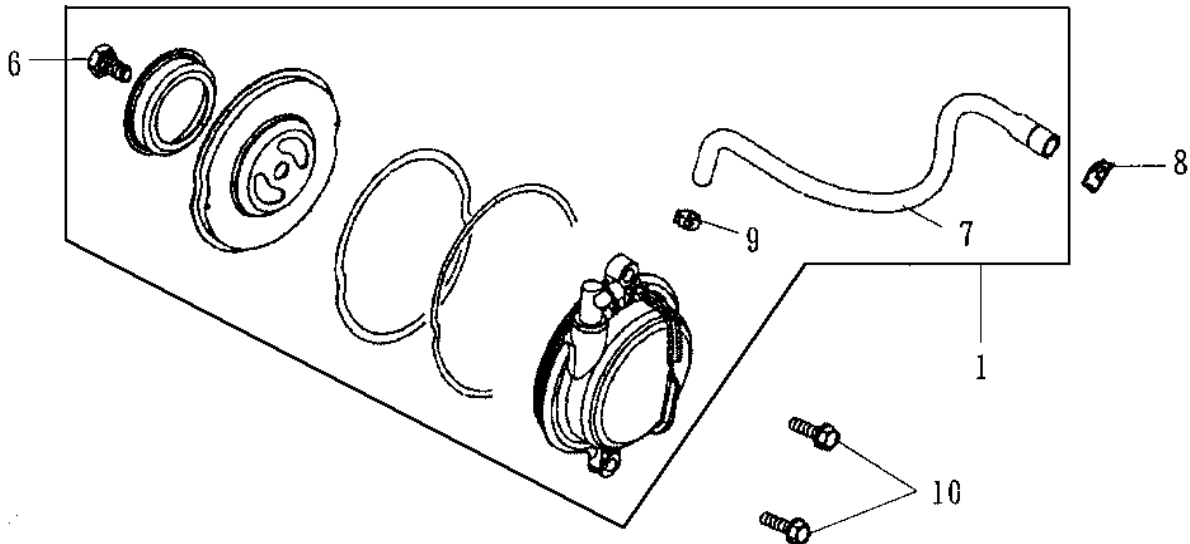
Pictures reference only

PARTS NUMBER	DESCRIPTION	Q T Y	EFFECTIVE DATE	
1 11384-M92-000	Breather tube clammer	1		
2 11385-H3A-000	Carb. Drain tube clammer	1		
3 1961A-H6B-000	Fan cover assy	1		
4 1962A-H6B-000	Shroud A	1		
5 19632-V02-000	Hightension cord clip	1		
6 1963A-H3A-000	Shroud B	1		
7 32161-H6B-000	Harness wire clip	1		
8 70529-M9Q-000	Side panel grommet B	1		
9 93904-35280	Tapping screw 5x12	2		
10 93904-35380	Tapping screw 5x16	6		
11 96001-06025-00	SH flange bolt 6x25	1		
12 96001-06025-08	SH flange bolt 6x25	3		



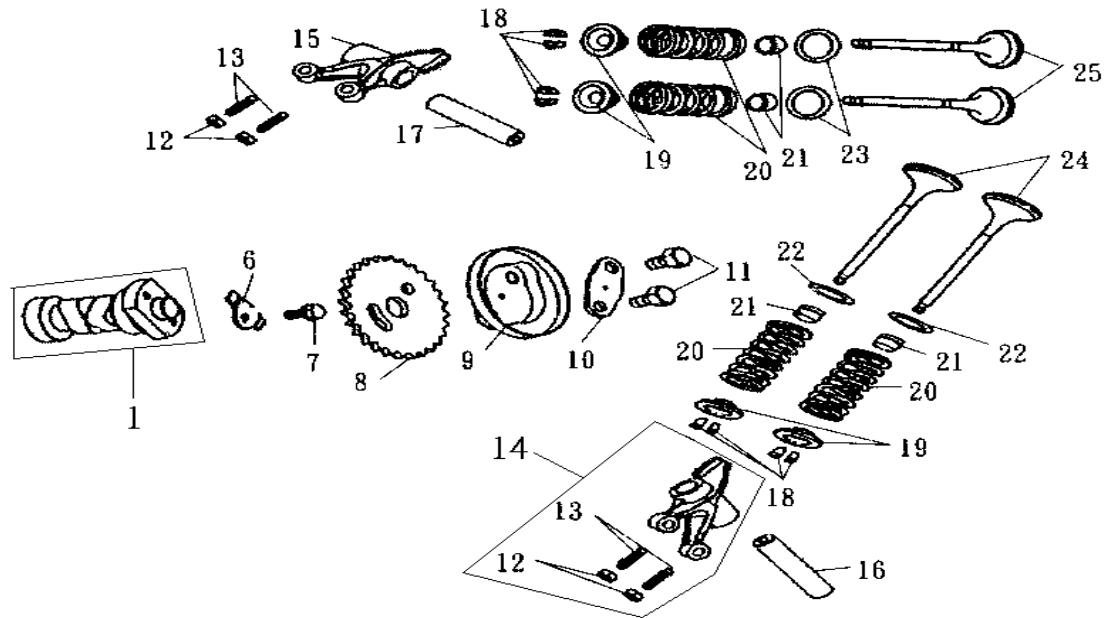
Pictures reference only

PARTS NUMBER	DESCRIPTION	QTY	EFFECTIVE DATE	
1 12200-H5A-000	Cylinder head comp	1		
2 12251-H7A-000	Cylinder head gasket	1		
3 1220A-H5A-001	Cylinder head assy	1		
4 1711A-H6B-900	Inlet pipe assy	1		
5 91308-M9Q-000	O-Ring 27x2.0	1		
6 16211-M92-000	Carb. Insulator	1		
7 16201-M92-000	Carb. Insulator gasket	1		
8 1236A-H6B-000	Tappet adj. Hole cap assy	2		
9 91302-H6B-900	Tappet adj. Hole cap seal	2		
10 12237-H6T-300	In valve guide	2		
11 91305-M9Q-000	O-Ring 9x1.6	4		
12 1PC7E	Spark plug (C7E)	1		
12 1PCR7E-3	Spark plug (C7E)	1		Y
17 12245-H6T-300	Exh. Valve guide	2		
19 96001-06095-08	SH. Flange bolt 6x95	2		
20 94050-06000	Flange nut	2		
21 90033-M92-000	Stud bolt 6x55	2		
24 90031-107-010	Cylinder stud bolt	4		
24 90031-M2Q-000	Cylinder stud bolt	4	2003/10/13	Y
25 90442-028-000	Sealing washer 8mm	4		
26 90443-107-000	Cap nut 8mm	4		
27 96001-06016-08	SH. Flange bolt 6x16	6		



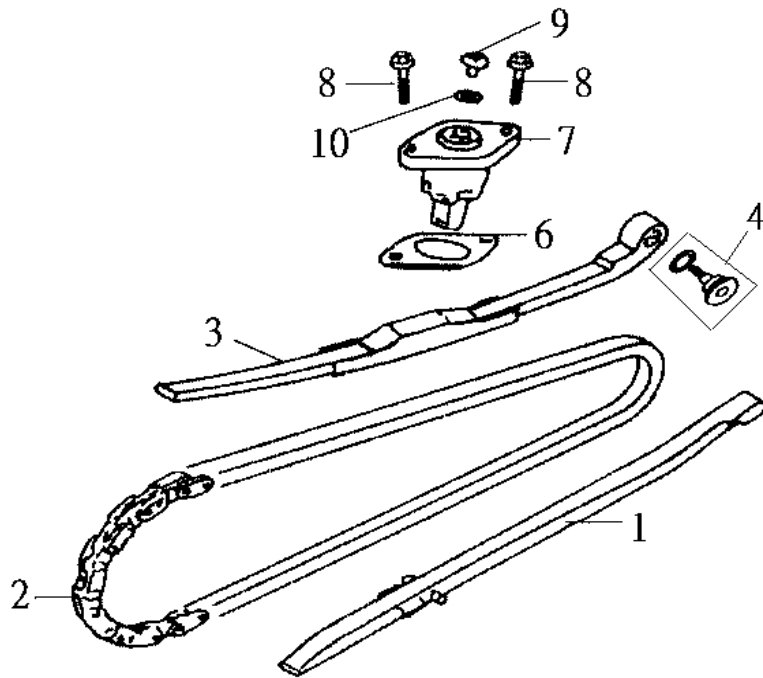
Pictures reference only

PARTS NUMBER		DESCRIPTION	QTY	EFFECTIVE DATE
1	12300-H6B-000	Cylinder head L side cover	1	
6	96001-06010-00	SH. Flange bolt 6x10	1	
7	11221-H3A-000	Breather tube	1	
8	90682-V02-900	Tube clamping D11.5	1	
9	95002-40850-08	Tube clip D 8.5	1	
10	95701-06020-00	Flange bolt 6x20	2	



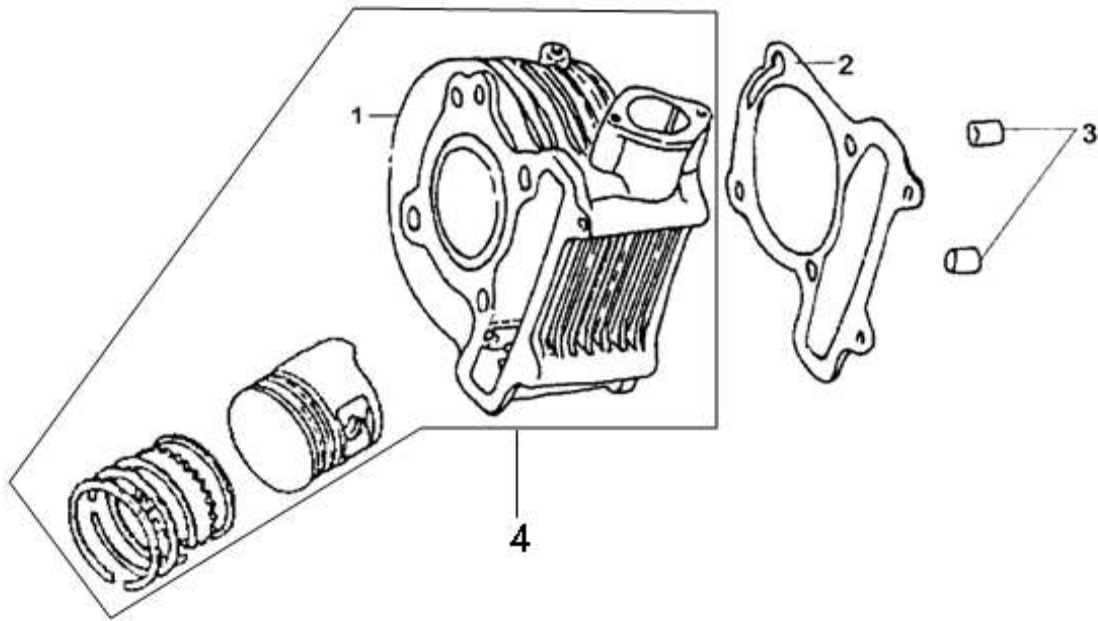
Pictures reference only

PARTS NUMBER	DESCRIPTION	QTY	EFFECTIVE DATE	
1 14100-H7A-000	Cam shaft comp	1		
6 14457-H7A-000	Cam shaft setting plate	1		
7 96001-06010-00	SH. Flange bolt 6x10	1		
8 14105-A31-000	Cam sprocket	1		
9 14108-M36-000	Centrifugal disk	1		
10 14105-X01-000	Cam sprocket washer	1		
11 90083-X01-000	Lock nut 6mm	2		
12 90206-M9Q-000	Tappet adj. Screw nut	4		
13 90012-M9Q-000	Tappet adj. Screw	4		
14 14441-H7A-000-F2	EXH. Valve rocker arm	1		
15 14431-H7A-000-F2	IN. Valve rocker arm	1		
16 14452-H6B-000	EXH. Valve rocker arm shaft	1		
17 14451-H6B-000	IN. Valve rocker arm shaft	1		
18 14781-M9Q-000-A	Valve cotter	2		
20 14751-H6B-000	Valve spring	4		
21 12209-H6B-000	Valve stem seal	4		
21 12209-H6B-900	N/A Valve stem seal	4	2005/9/1	Y
22 12203-H6B-300	EXH. Valve seat	2		
23 12202-H6B-300	IN. valve seat	2		
24 14721-H6B-000	EXH. Valve	2		
25 14711-H6B-000	IN. valve	2		



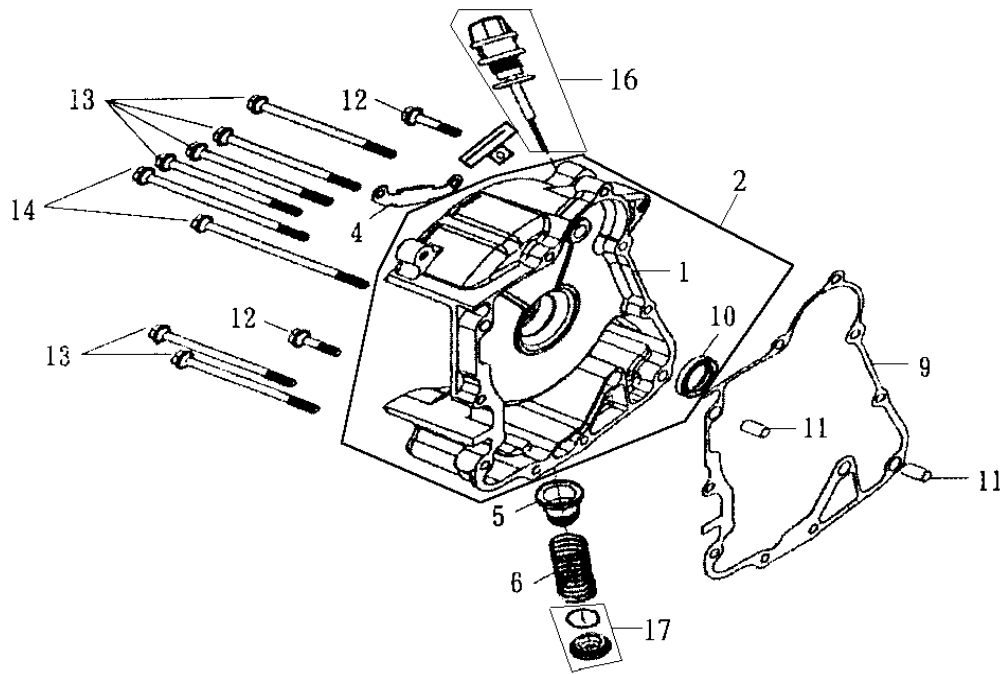
Pictures reference only

PARTS NUMBER		DESCRIPTION	Q T Y	EFFECTIVE DATE
1	14610-M92-000	Cam chain guide comp	1	
1	14610-H6T-000	Cam chain guide comp	1	2005/1/7
2	1C14401-M92-000	Cam chain	1	
3	14510-M92-000	Cam chain tensioner	1	
4	1453A-M92-000	Cam chain tensioner pivot	1	
6	14523-M9Q-000	Tensioner lifter gasket	1	
7	14520-M9Q-000	Tensioner lifter assy	1	
7	14520-H6T-000	Tensioner lifter assy	1	2005/4/1
8	90001-M9Q-000	SH. Flange bolt 6x22	2	
9	14522-H6T-000	revised Adjuster bolt	1	
10	14524-H6T-000	revised O-Ring	1	



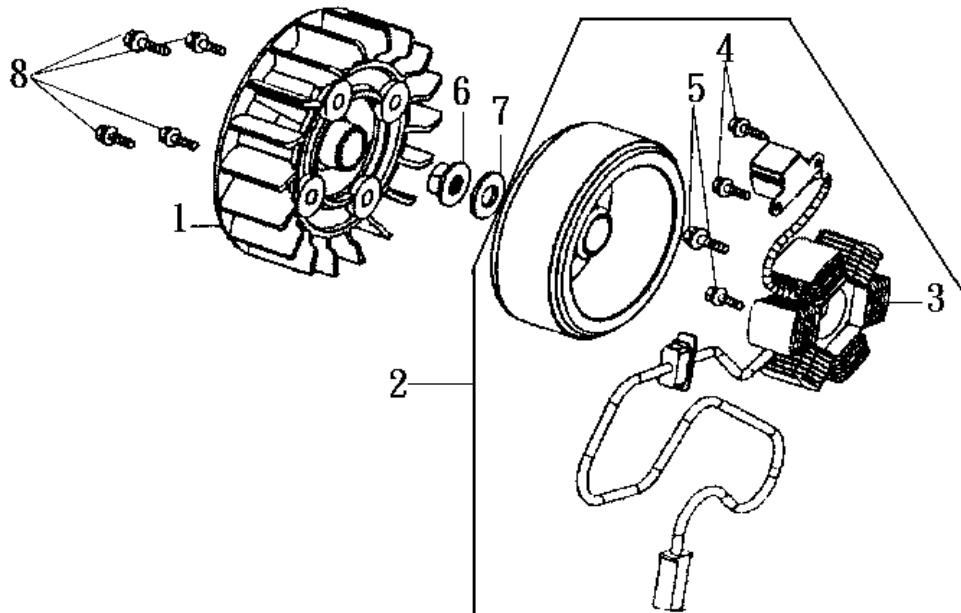
Pictures reference only

PARTS NUMBER	DESCRIPTION	Q T Y	EFFECTIVE DATE	
1 12101-H7C-000	Cylinder	1		
2 12191-H6B-000	Cylinder gasket	1		
3 94301-10200	Dowel pin 10x20	2		
4 12100-H7C-000-A	Cylinder assy	1		



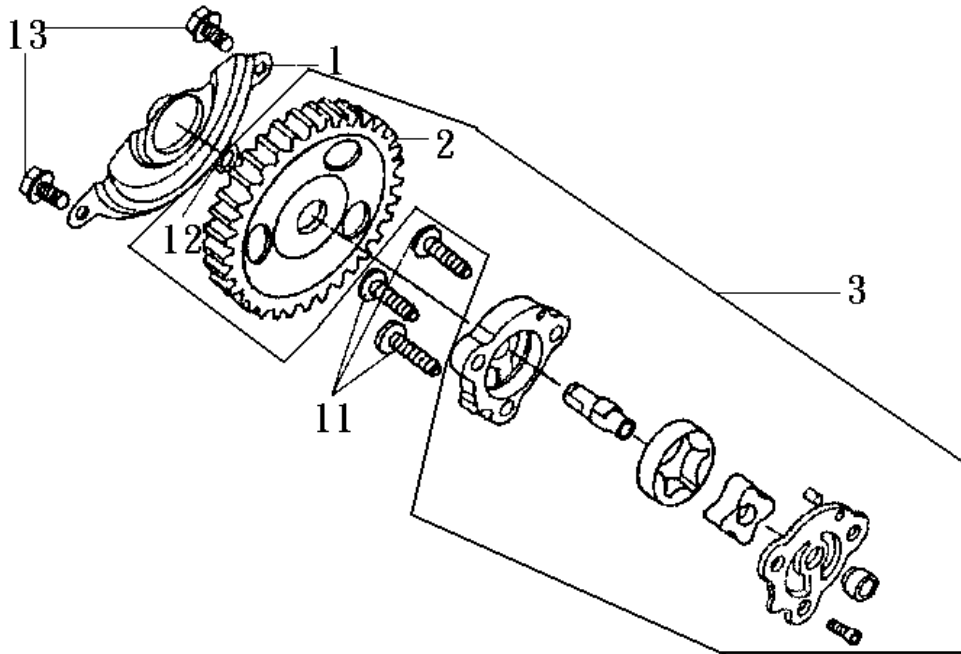
Pictures reference only

PARTS NUMBER	DESCRIPTION	QTY	EFFECTIVE DATE	
1 11331-H6B-000-SN	R. crank case cover	1		
2 1133A-H3A-000-SN	R. crank case cover assy	1		
4 32961-M92-000	ACG. Cord clamer	1		
5 15421-M9Q-000	Oil filter screen	1		
6 15426-M9Q-000	Oil filter screen spring	1		
9 11394-H6B-000	R. cover gasket	1		
10 91201-GY6-903-M2	Oil seal 19.8x30.5	1		
11 94301-08140	Dowel pin 8x14	2		
12 96001-06030-08	SH. Flange bolt 6x30	2		
13 96001-06095-08	SH. Flange bolt 6x95	6		
14 96001-06100-08	SH. Flange bolt 6x100	2		
16 1565A-M92-000	Oil level gauge	1		
17 1236A-V02-000	Tappet adj hole cap assy	1		



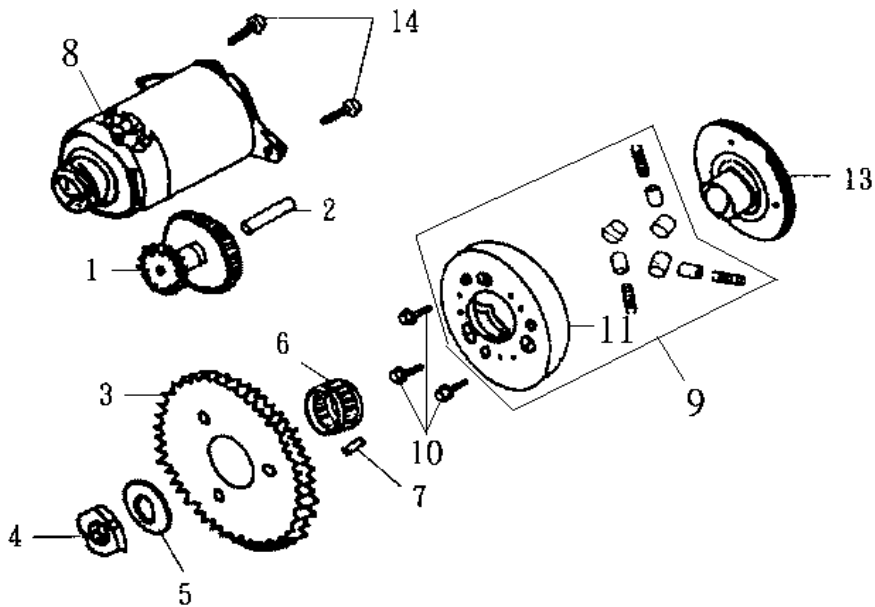
Pictures reference only

PARTS NUMBER	DESCRIPTION	Q T Y	EFFECTIVE DATE	
1 19510-M92-000	Cooling fan comp	1		
2 31100-H3A-010	Fly wheel assy	1		
3 31120-H3A-010	Stator comp	1		
4 92101-05012-0A	Hex. Bolt 5x12	2		
5 96001-06018-08	SH. Flange bolt 6x18	2		
6 94050-12000	Flange nut 12mm	1		
7 90440-M9Q-000	Plain washer 12mm	1		
8 95701-06018-08	Flange bolt 6x18	4		



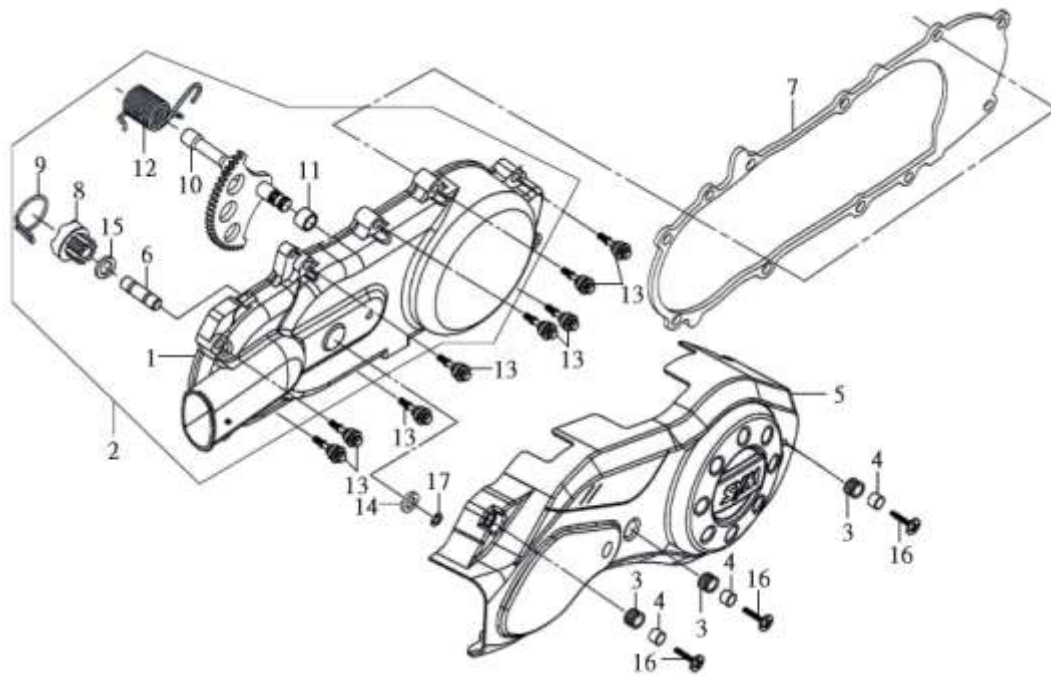
Pictures reference only

PARTS NUMBER	DESCRIPTION	QTY	EFFECTIVE DATE	
1 15711-M92-000	Oil pump separator	1		
2 15133-M92-000	Oil pump driven gear	1		
3 15100-H7A-000	Oil pump assy	1		
11 93600-06025-0A	Flange bolt 6x25	3		
12 90602-N01-000	C clip 8mm	1		
13 96001-06012-08	SH. Flange bolt 6x12	2		



Pictures reference only

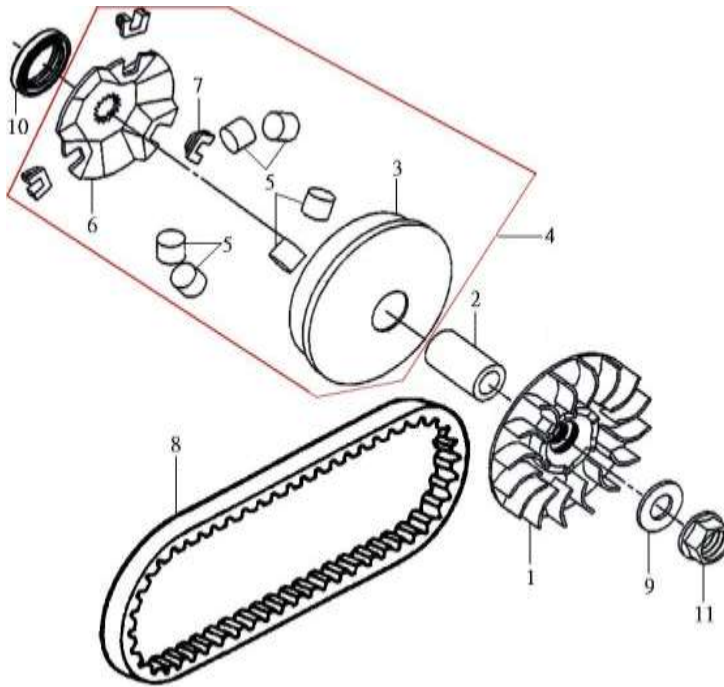
PARTS NUMBER	DESCRIPTION	QTY	EFFECTIVE DATE	
1 28101-M9Q-000	Starter reduction gear	1		
2 28102-M9Q-000	Starter reduction gear shaft	1		
3 28110-M9Q-000	Starting clutch gear comp	1		
4 90201-M9Q-000	Lock nut 22mm	1		
5 90403-M92-000	Thrust washer 22.2x31x1.5	1		
6 91104-M9Q-000	Needle bearing 28x32x17	1		
7 90701-M9Q-000	Dowel pin 5x6	1		
8 31200-M92-100	Starting motor	1		
9 2812A-M92-000	Start clutch outer assy	1		
9 2812A-H6T-000	Start clutch outer assy	1	2005/12/12	
10 90002-M9Q-000	N/A Socket bolt 6x10	3		
10 90001-GY6-900	Socket bolt 6x10	3		Y
11 28120-M9Q-000	Starting clutch outer comp	1		
13 28125-M92-000	Starting clutch flange bolt	1		



Pictures reference only

PARTS NUMBER	DESCRIPTION	QTY	EFFECTIVE DATE	
1 11341-H3A-000	N/A L. CRANK CASE COVER	1		
1 11340-H3A-000-H2	L. CRANK CASE COVER	1		Y
2 1134A-H3A-000	L. CRANK CASE COVER ASSY	1		
3 11354-H3A-000	MOUNT RUBBER	3		
4 11356-H3A-000	COLLAR	3		
5 1135A-H3F-000-KA	L. COVER FENDER ASSY	1		
6 11360-M92-300	KICK START. DRIVEN SHAFT	1		
7 11395-H3A-000	L.COVER GASKET	1		
8 28230-M92-000	KICK DRIVEN GEAR COMP.	1		
9 28233-M92-000	KICK STARTER FRICTION SPG	1		
10 28250-H3A-000	KICK START. SPINDLE COMP	1		
11 28254-M92-000	KICK SPINDLE BUSH	1		
12 28281-M92-000	KICK RETURN SPRING	1		
13 9000B-M9Q-000	SPECIAL BOLT 6*37 ASS'Y	8		
15 90452-M9Q-000	THRUST WASHER 12MM	1		
16 93500-06020-0G	PAN SCREW 6*20	3		
17 94511-14000	EX. CIR-CLIP 14mm	1		

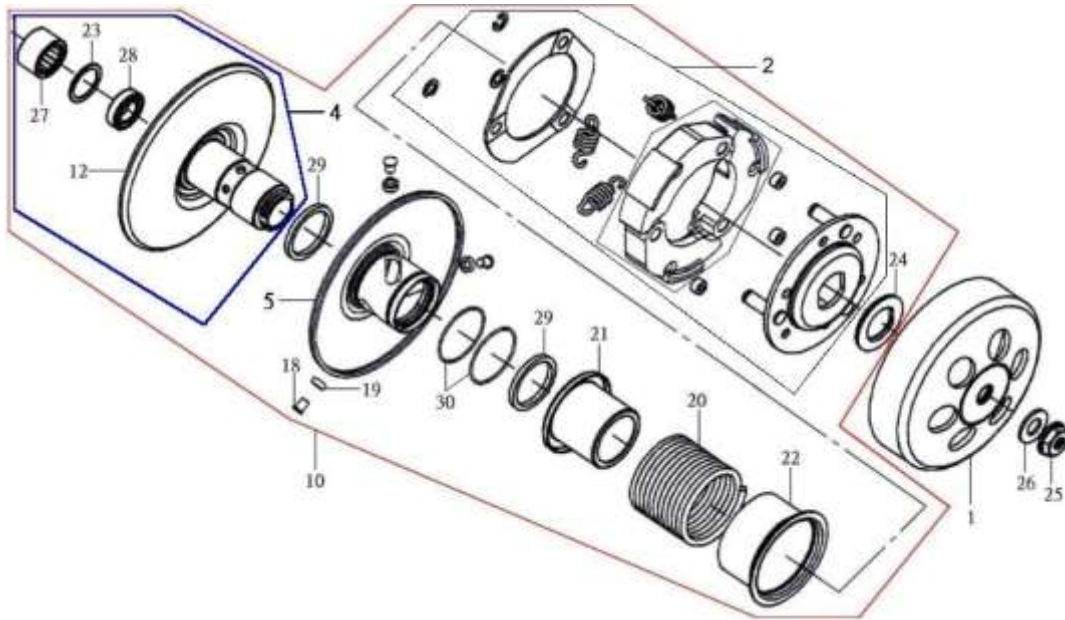




Pictures reference only

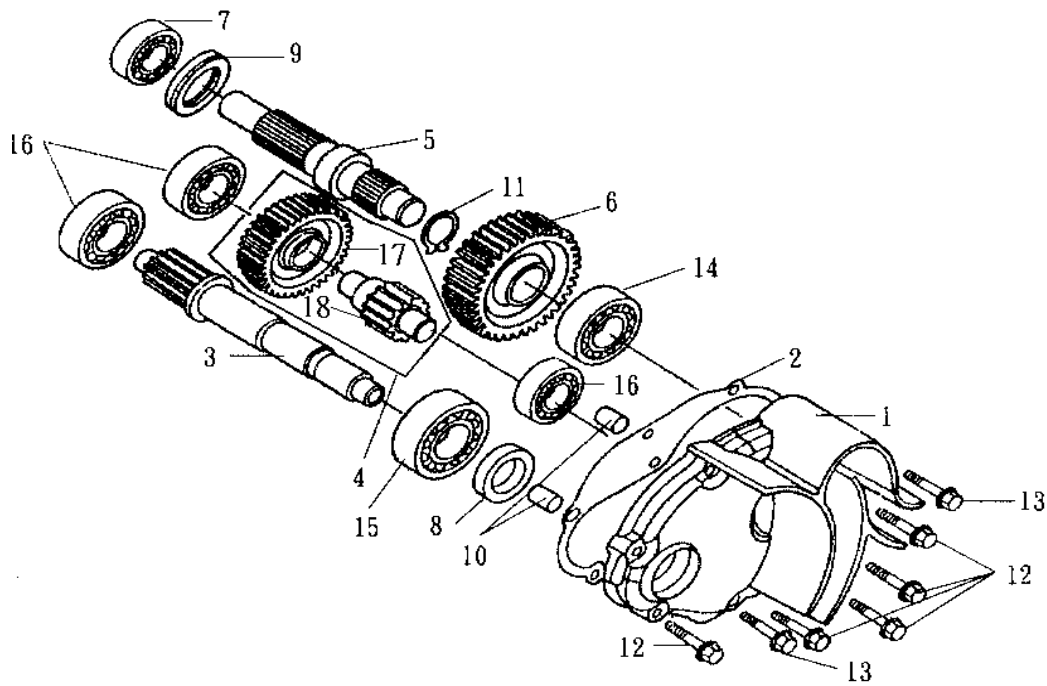
PARTS NUMBER	DESCRIPTION	Q T Y	EFFECTIVE DATE	
1 22102-M92-000	DRIVE FACE COMP	1		
2 22105-H5B-000	DRIVE FACE BOSS	1		
3 22110-H5B-000	MOVABLE DRIVE FACE COMP.	1		
4 2211A-H5B-000	MOVABLE DRIVE FACE ASSY	1		
5 22121-M92-000-A	WEIGHT ROLLER COMP.	1		
6 22131-M92-000	RAMP PLATE	1		
7 22132-M92-000-A	SLIDE PIECE	1		
8 1B01H3A01	DRIVE BELT	1		
9 90440-M9Q-000	PLAIN WASHER 12MM	1		
10 91202-G03-010	OIL SEAL 25.5*37*6	1		
11 90203-M9Q-000	C FLANGE NUT 12MM	1		





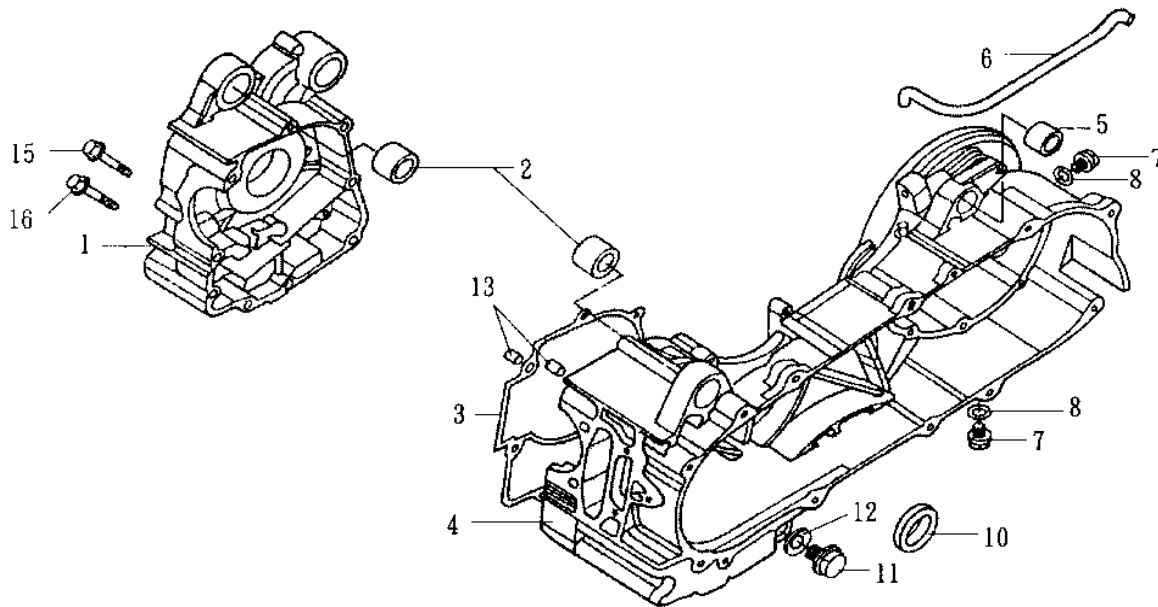
Pictures reference only

PARTS NUMBER	DESCRIPTION	QTY	EFFECTIVE DATE	
1 22101-M9Q-000	CLUTCH OUTER	1		
2 22300-M9A-000	DRIVEN PULLEY ASSY	1		
4 23200-M92-000	DRIVEN FACE ASSY	1		
5 23220-H7A-000	MOVABLE DRIVEN FACE COMP.	1		
10 23010-H5K-000	DRIVEN PULLEY ASSY	1		
12 23210-M92-000	DRIVEN FACE COMP.	1		
18 23225-M9Q-000	ROLLER GUIDE PIN	3		
19 23226-M9Q-000	GUIDE ROLLER	3		
20 23233-H7A-000	DRIVEN FACE SPRING	1		
21 23237-H7C-000	SEAL COLLAR	1		
22 23238-M9Q-000	SPRING COLLAR	1		
23 94520-28000	CIR. CRIP 28mm	1		
24 90202-M9Q-000	SPECIAL NUT 28MM	1		
25 90203-M9Q-000	FLANGE NUT 12MM	1		
27 91001-M9Q-300	NEEDLE BEARING 20*29*18	1		
27 91001-H6T-300	N/A NEEDLE BEARING 20*29*18	1	2005/3/9	Y
27 91001-GY6-900-M1	NEEDLE BEARING 20*29*18	1		Y
28 91002-H6B-300	RADIAL BALL BRG. 6902U	1		



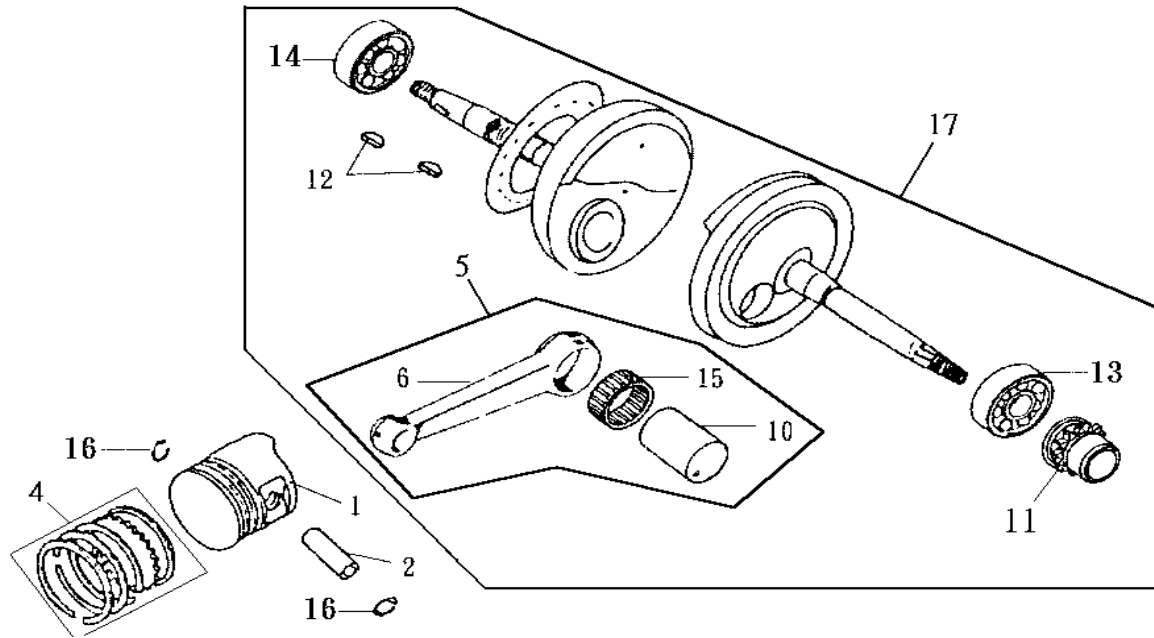
Pictures reference only

PARTS NUMBER	DESCRIPTION	QTY	EFFECTIVE DATE	
1 21200-H3A-000	Mission cover	1		
2 21395-H3A-000	Mission cover gasket	1		
3 23411-M92-000	Drive shaft	1		
4 23420-M92-000	Counter shaft comp	1		
5 23431-H3A-000	Final shaft	1		
6 23432-M92-000	Final gear	1		
7 96150-60043-10	Radial ball bearing 6004U	1		
8 91202-M9Q-300	N/A Oil seal 20x32x6	1		
8 91202-KJ9-003	Oil seal 20x32x6	1		Y
9 91255-M9Q-300	Oil seal 27x42x7	1		
10 94301-08140	Dowel pin 8x14	2		
11 94510-20000	EX. Circle clip 20mm	1		
12 96001-06025-08	SH. Flange bolt 6x25	5		
13 96001-06032-08	SH. Flange bolt 6x32	2		
15 96150-62043-10	Radial ball bearing 6004	1		
16 96100-63013-00	Radial ball bearing 6301C3	3		
17 23422-M92-300	Counter gear	1		
18 23421-M92-300	Count shaft	1		



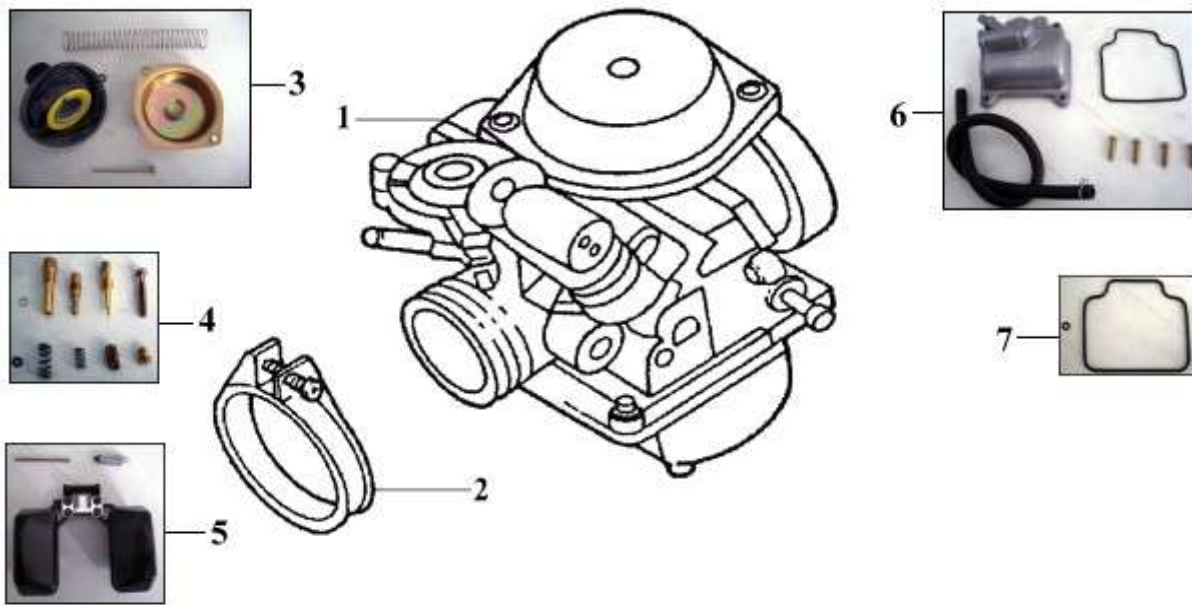
Pictures reference only

PARTS NUMBER	DESCRIPTION	QTY	EFFECTIVE DATE	
1 11100-H3A-000-SN	R. crank case comp	1		
2 11102-H6B-300	Engine hanger rubber bush	2		
3 11192-H6B-000	Crank case gasket	1		
4 11200-H3A-000-SN	L. crank case comp	1		
5 11203-M9Q-300	RR. Cush under rubber bush	1		
6 11221-H3A-000	Mission breather tube	1		
7 90103-M9Q-000	N/A Special bolt 8mm	2		
7 90103-KN8-000	Special bolt 8mm	2		Y
8 90474-M9Q-000	Washer 8mm	2		
10 91202-G03-010	Oil seal 25x37x6	1		
11 92800-12000	Drain plug bolt 12mm	1		
12 94109-12000	Drain plug washer 12mm	1		
13 94301-08140	Dowel pin 8x14	2		
15 96001-06045-08	SH. Flange bolt 6x45	1		



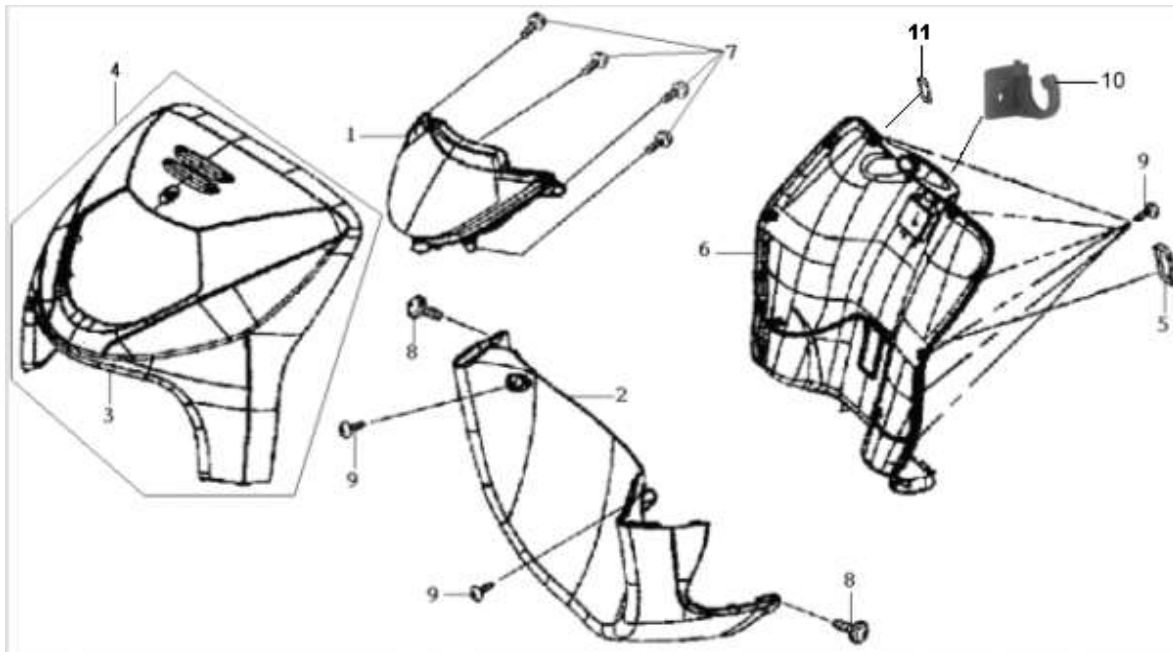
Pictures reference only

PARTS NUMBER	DESCRIPTION	QTY	EFFECTIVE DATE	
1 13101-H7C-000	Piston	1		
2 13111-M4Q-000	Piston pin	1		
4 13010-H7C-000	Piston-ring set	1		
5 1320A-H7A-000	Connecting rod set	1		
6 13201-H7A-000	Connecting rod	1		
10 13381-M92-300	Crank pin	1		
11 14311-M92-300	Timing sprocket	1		
12 90702-M9Q-000	Wood ruffkey 25x14x4	2		
13 91001-X06-911-M1	Radial ball bearing 6305	1		
14 91001-H6B-300	Radial ball bearing TMB3/22	1		
15 91101-M9Q-000	Connecting rod bearing	1		
16 94601-15000	Piston pin clip 15mm	2		
17 13000-H7C-020	Crank shaft comp	1		



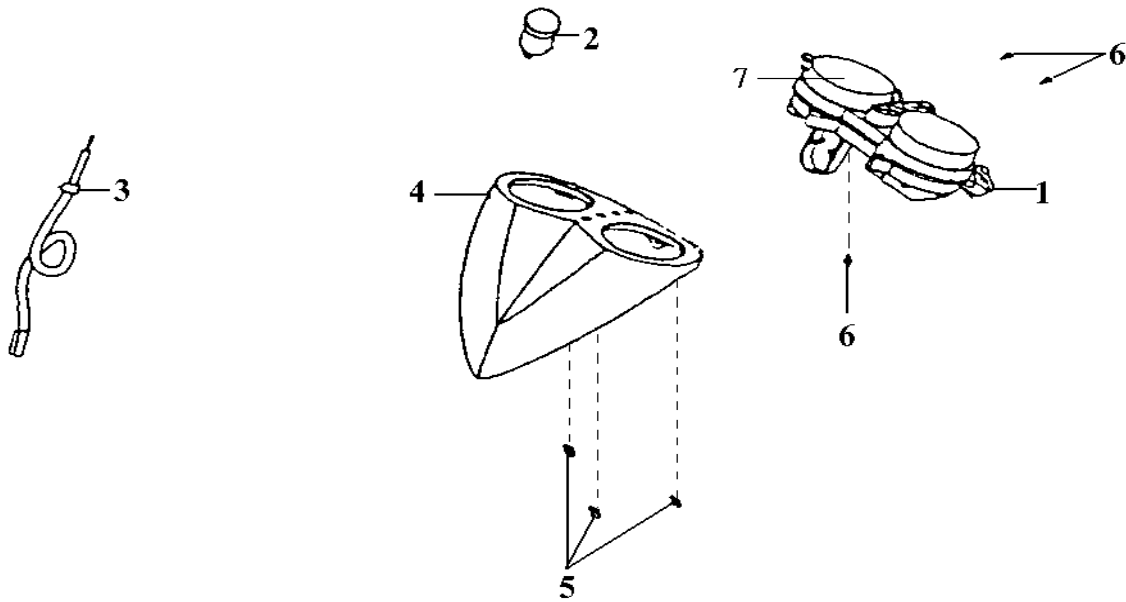
Pictures reference only

PARTS NUMBER	DESCRIPTION	Q T Y	EFFECTIVE DATE	
1 16100-H5A-000-01	Carburetor comp	1		
2 17256-M9Q-000	Insulator band	1		
3 H5A-1	CARB.NEEDLE FIXING SET	1		
4 H5A-2	CARB. SCREW FIXING SET	1		
5 H5A-3	CARB. FLOAT FIXING SET	1		
6 H5A-4	CARB. F.C.B FIXING SET	1		
7 H5A-5	CARB. GASKET FIXING SET	1		



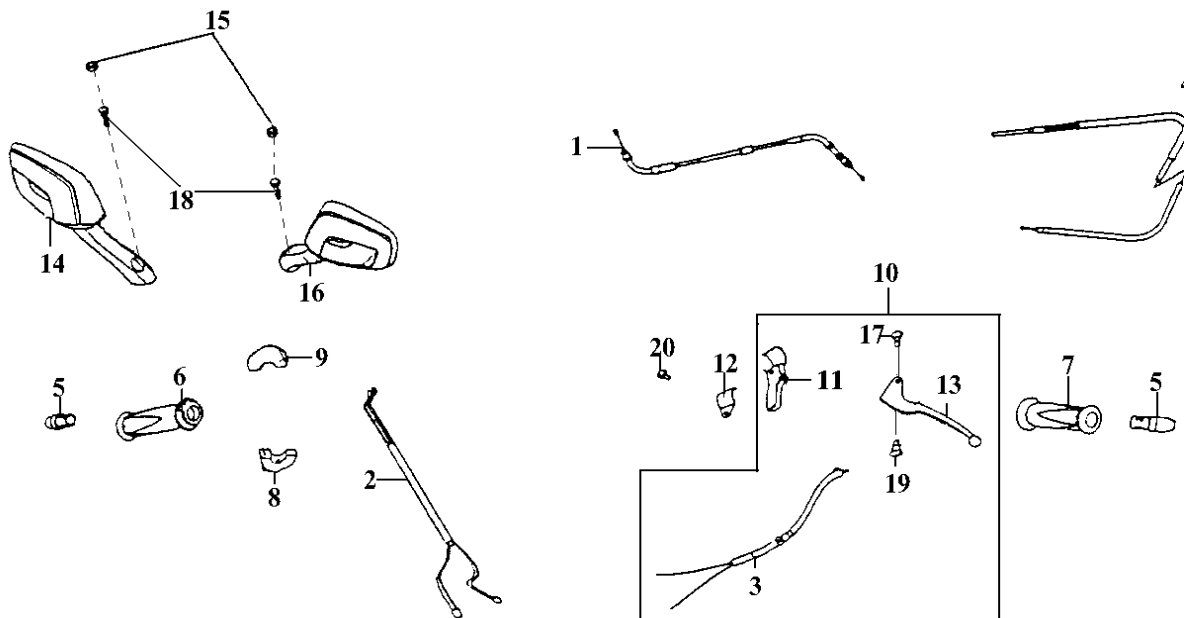
Pictures reference only

PARTS NUMBER		DESCRIPTION	QTY	EFFECTIVE DATE
1	33100-H9B-600	HEAD LIGHT ASS'Y	1	
2	64300-H5K-000-XX	FR. UNDER SPOLIER	1	= ADD COLOUR
3	64301-H3F-900-XX	FR. COVER	1	= ADD COLOUR
5	64318-H6B-010-KA	FRAME NUMBER LID	1	
6	81131-H5K-000-CO	FR. INNER COVER	1	= ADD COLOUR
8	93903-35380	TAPPING SCREW 5*16	2	
9	93903-45380	TAPPING SCREW 5X16	12	
10	81132-H6T-000-KA	LUGGAGE HOOK	1	2004/10/6
11	81134-H6T-000-KA	E.F.I. SENSOR LID (BK-001U)	1	2004/10/18
11	81134-H6T-000	E.F.I. SENSOR LID (GY-426U)	1	



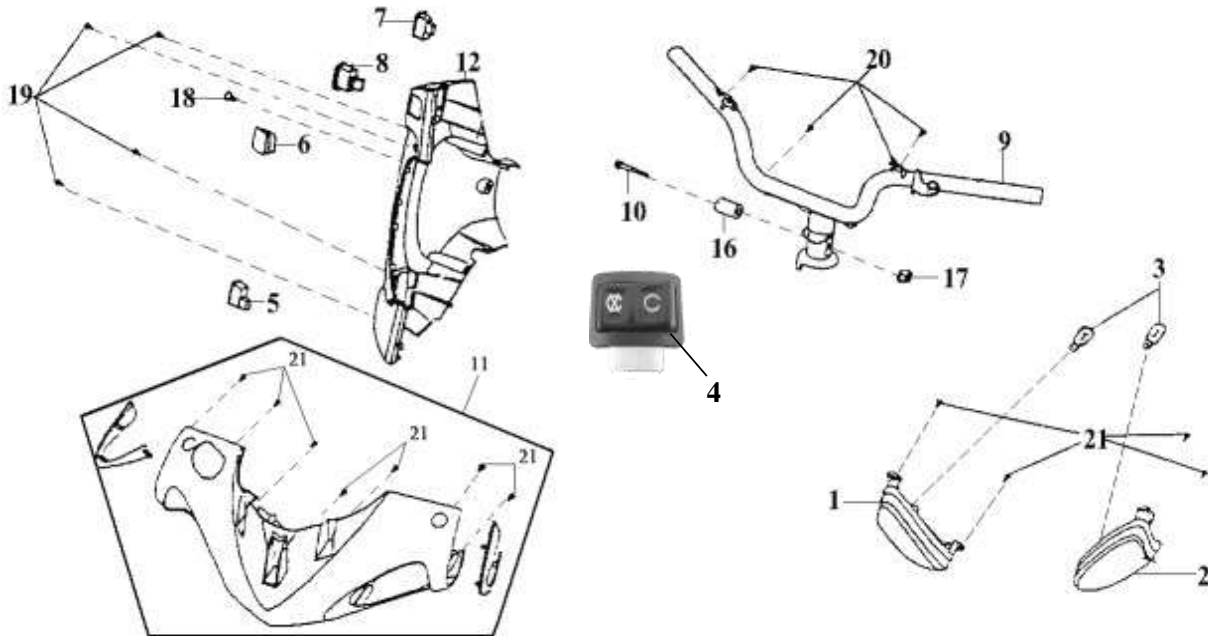
Pictures reference only

PARTS NUMBER	DESCRIPTION	Q T Y	EFFECTIVE DATE	
1 37200-H5N-000	Speedometer assy	1		
2 38301-A31-000	Winker relay comp	1		
3 44830-H3A-600	Speedometer cable comp	1		
4 53210-H3A-600	Meter cover	1		
5 90302-SA4-003	Clip nut 4mm	3		
6 93903-34320	Tapping screw 4x12	3		
7 37211-H3A-000	Meter lens	1		



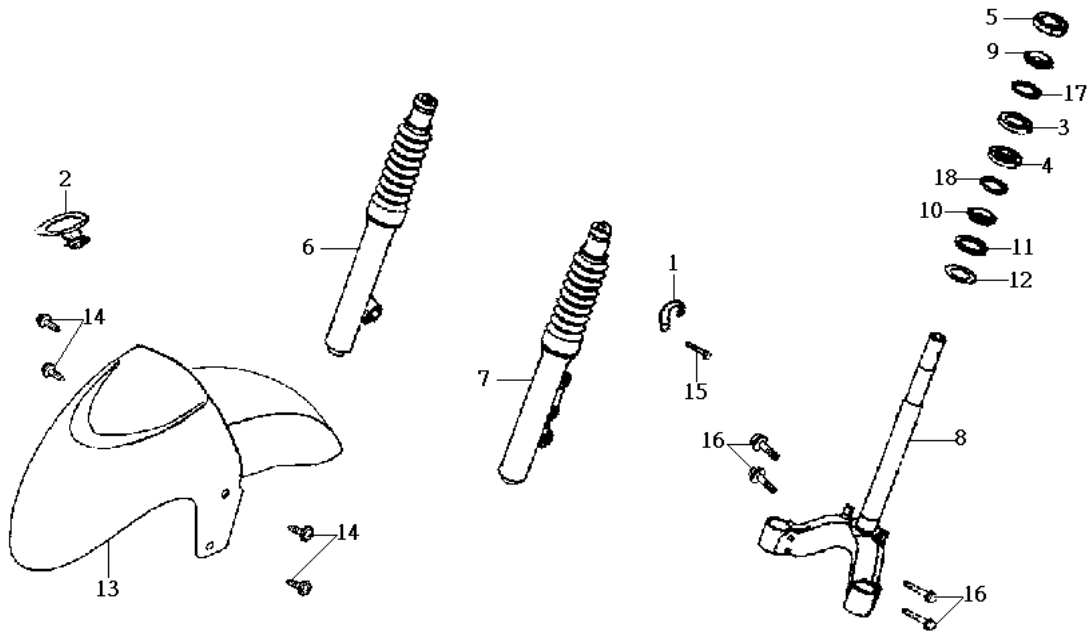
Pictures reference only

PARTS NUMBER	DESCRIPTION	QTY	EFFECTIVE DATE
1 17910-H3A-000	Throttle cable comp	1	
2 32106-KBN-900	Sub. Harness	1	
3 35350-M70-000	RR. Stop sw. assy	1	
4 43450-H3A-000	RR. Brake cable comp	1	
5 53105-H3A-000	Strg. Handle end	2	
6 53140-H3A-000	Throt. Grip comp	1	
7 53166-H3A-000	L. handle grip	1	
8 53167-H09-900	Und. Throt. Housing	1	
9 53168-H09-000	UP. Throt. Housing	1	
10 5317B-H3F-000	L. Strg. Handle lever assy	1	
11 53172-H3A-000	L. handle lever braket	1	
12 53173-GS7-003	Handle brkt band	1	
13 53178-H01-011	L. handle lever	1	
14 88110-H3A-000	R. back mirror assy	1	
15 88112-M9Q-000	Socket bolt cap 8mm	2	
16 88120-H3A-000	L. back mirror assy	1	
16.1 88120-2065806LBA	Mounting Rubber Left	1	
17 90115-M9Q-000	Handle lever pivot screw	1	
18 90185-T31-000	Socket bolt 8x38	2	
19 94001-05000-0S	Hex nut 5mm	1	
20 96001-06020-07	Flange bolt (SH) 6x20	1	



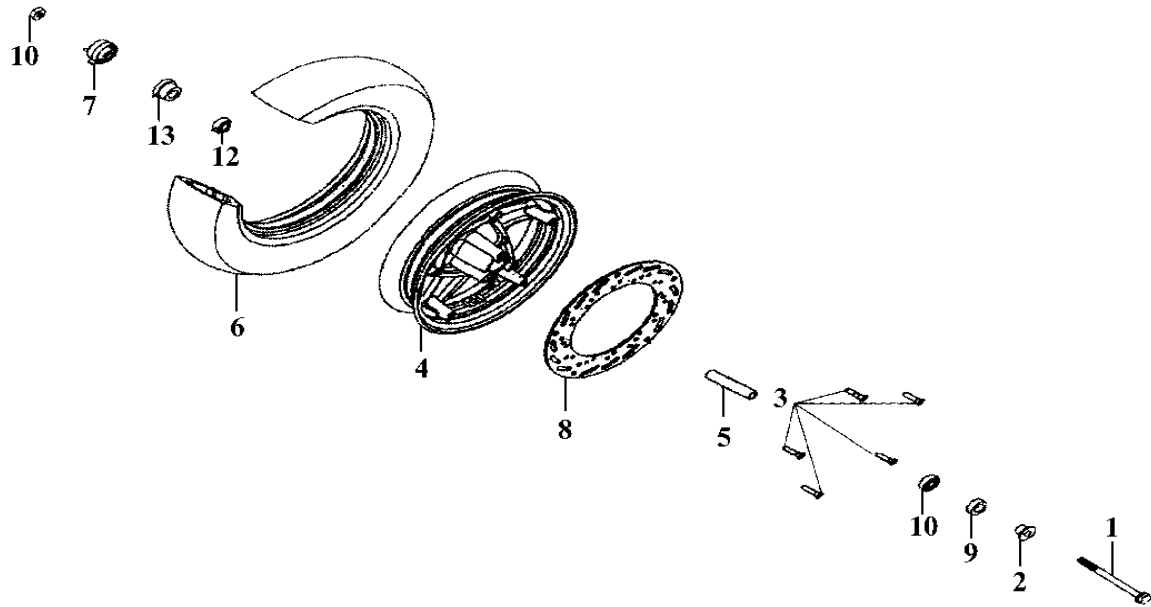
Pictures reference only

PARTS NUMBER	DESCRIPTION	QTY	EFFECTIVE DATE
1 33400-H3A-600	R. winker assy	1	
2 33450-H3A-600	L. winker assy	1	
3 34908-M9Q-100	Winker bulb 12V10W	4	
4 36150-H5M-000	ENG. STOP SW.	1	
5 35160-M9Q-000	Start SW. unit	1	
6 35170-M9Q-000	Dimmer SW. unit	1	
7 35180-M9Q-000	Horn SW. unit	1	
8 35200-M9Q-000	Winker SW. unit	1	
9 53100-H3A-900	STRG. Handle comp	1	
10 53125-M9Q-000	Handle set collar	1	
11 5320C-H3A-010-XX	FR. Handle cover assy	1	= ADD COLOUR
12 53206-H3A-010-XX	RR. Handle cover	1	= ADD COLOUR
16 90106-M9Q-000	Flange bolt 10x50	1	
17 90304-M9Q-000	Flange U nut 10mm	1	
18 91508-A26-000	Pan screw 5x7	1	
19 93903-34480	Tapping screw 4x16	4	
20 93903-35220	Tapping screw 5x12	4	
21 93903-34320	Tapping screw 4x12	11	



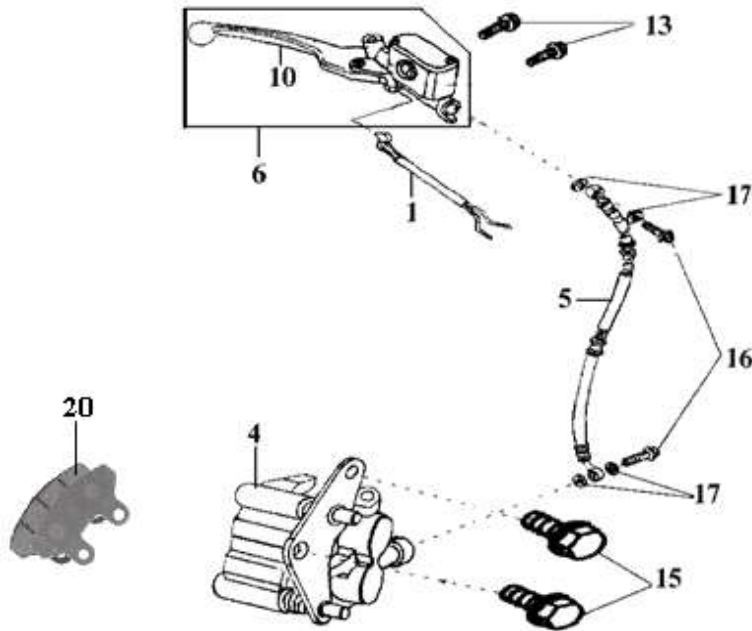
Pictures reference only

PARTS NUMBER		DESCRIPTION	QTY	EFFECTIVE DATE	
1	45156-H01-000	FR. BRAKE HOSE CLAMP	1		
2	45451-N02-000	WIRE GROMMET	1		
3	50301-M9Q-000	STRG. UP RACE BALL	1		
4	50302-M9Q-000	BALL RACE(STRG. BOT.)	1		
5	50306-M9Q-000	STRG. STEM LOCK NUT	1		
6	51400-H3F-000	FR/R CUSHION ASSY	1		
7	51500-H3F-000	FR/L CUSHION ASSY	1		
8	53200-H3A-000	STRG. STEM COMP.	1		
9	53211-M9Q-000	F STRG. TOP CONE RACE	1		
10	53212-M9Q-000	CONE RACE(STRG. BOTTOM)	1		
11	53214-M9Q-000	STRG. DUST SEAL	1		
12	53215-M9Q-000	STRG. DUST SEAL WASHER	1		
13	61100-H3F-000-XX	FR FENDER	1	= ADD COLOUR	
14	90164-M9Q-000	SPECIAL SCREW 6MM	4		
15	95801-06012-07	FLANGE BOLT 6*12	1		
16	95801-08050-08	FLANGE BOLT M8*50	4		
17	96211-05000	BALL. STEEL 5	26		
18	96211-08000	STEEL BALL 8mm	19		



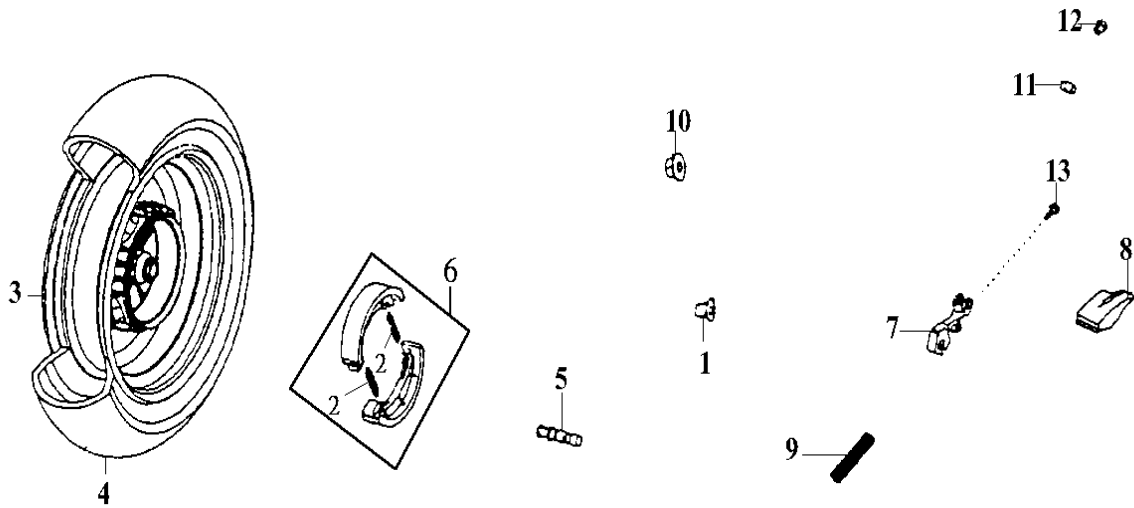
Pictures reference only

PARTS NUMBER	DESCRIPTION	QTY	EFFECTIVE DATE	
1 44301-H3F-000	FR. Wheel axle	1		
2 44311-GW0-910	FR. Wheel side collar	1		
3 90105-KR3-000	FR. Disk bolt 8x24	5		
4 44601-H9A-000-SH	FR. Cast wheel comp	1		
5 44620-H3A-000	FR. Axle disk collar	1		
6 1T011009012-4PR	Tire set 100-90-12	1		
7 44800-G22-000	SPDMT. Gear box assy	1		
8 45121-H3A-000	FR. Brake disk	1		
9 90754-M9Q-000-M2	Dust seal	1		
10 90306-M9Q-000	Flange U nut 12mm	1		
12 90912-M9Q-000-M1	Radial ball 6201 U	2		
13 91258-M9Q-000-M2	SPDMT. Gear seal	1		



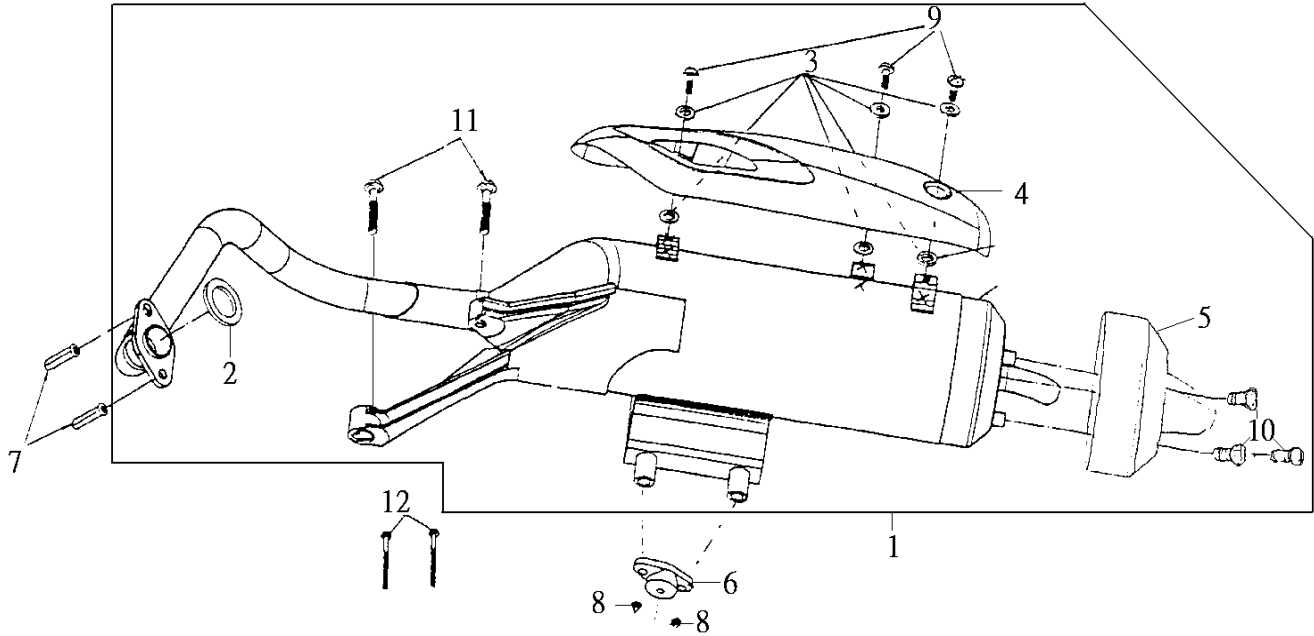
Pictures reference only

PARTS NUMBER		DESCRIPTION	QTY	EFFECTIVE DATE
1	32106-KBN-900	SUB. Harness	1	
2	35340-M9Q-900	FRT BRAKE L-SWITCH	1	
4	45100-H3A-600	FR. L. caliper ass'y	1	
5	45126-H3A-600	FR. Brake hose comp	1	
6	45500-H3A-000	FR. Master cylinder ass'y	1	
10	53175-H09-020	R. handle lever	1	
13	90110-T53-000	Flange bolt SH 6x12	2	
15	90104-H9A-000	Flange bolt 8x45	2	
16	90145-M9Q-000	Oil bolt 10x22	2	
17	90545-M9Q-000	Oil washer bolt	4	
20	45105-H3A-900-A	Brake pad set	1	



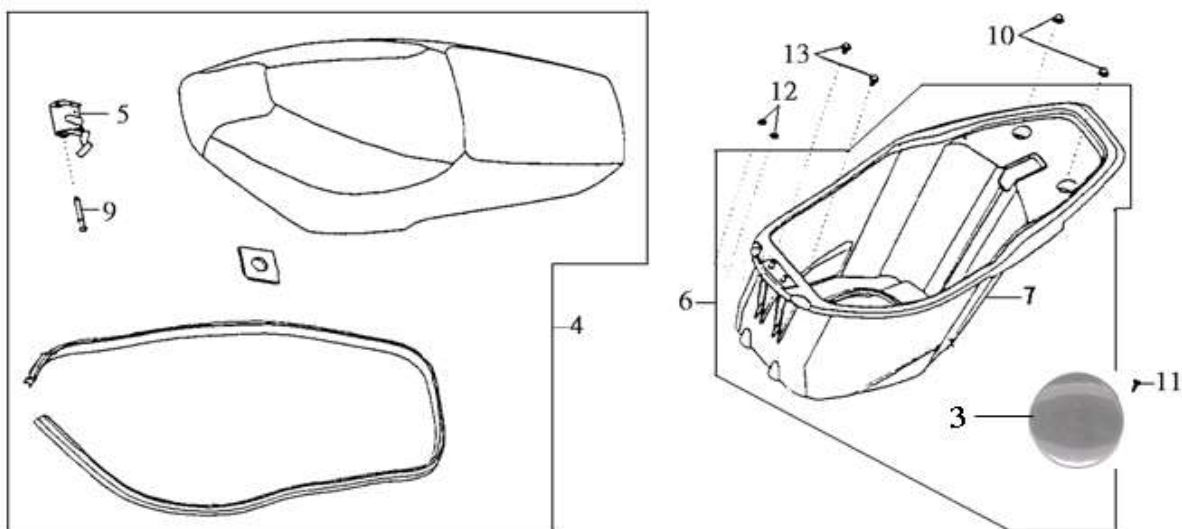
Pictures reference only

PARTS NUMBER		DESCRIPTION	QTY	EFFECTIVE DATE	
1	42311-H3A-000	RR. Axle side collar	1		
2	45133-M9Q-900	N/A Brake shoe spring	2		
2	45133-M9Q-000	Brake shoe spring	2		Y
3	42601-H3A-000-SH	RR. Cast wheel comp	1		
3	42601-H3A-900-SH	RR. Cast wheel comp	1		
4	1T011307012-4PR-DM	Tubless tire set 130-70-12	1		
5	43141-H6B-010	RR. Brake cam	1		
6	4312A-H6B-900	RR. Brake shoe assy	1		
7	43410-H3A-000	RR. Brake arm comp	1		
8	43415-H3A-000	RR. Brake arm cover	1		
9	43472-H3A-000	RR. Brake roturm spring	1		
10	90305-GW0-901-M1	Flange U unt 14mm	1		
11	95015-32001	Brake arm joint B	1		
12	95015-42000	Adjust nut B	1		



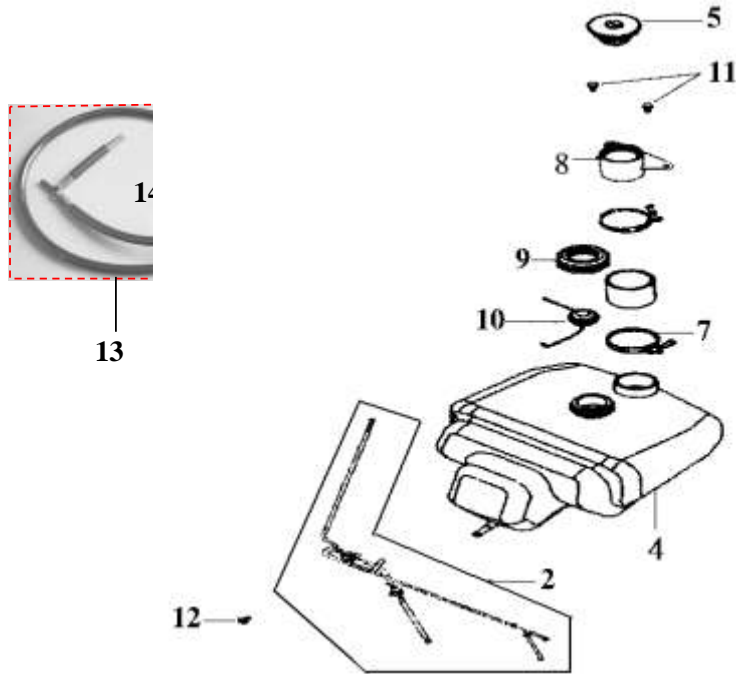
Pictures reference only

PARTS NUMBER		DESCRIPTION	QTY	EFFECTIVE DATE	
1	18000-H5N-000	EXH. Muffler assy	1		
2	18291-M9Q-000	EXH. Pipe gasket	1		
3	18293-H12-000	Protector packing	6		
4	18318-H3F-000	Muffler protector	1		
5	18328-H3A-000	RR. Muffler protector	1		
6	18410-H3A-000	Muffler RR. Mount assy	1		
7	90301-M92-000	Muffler joint nut 7mm	2		
8	90443-107-000	Cap nut 8mm	2		
9	90110-H3A-000	Special screw 6mm	3		
10	90111-H3A-000	N/A Special screw 5mm	3		
10	90111-H9A-000	Special screw 5mm	3		Y
11	95801-08038-07	Flange bolt 8x38	2		
12	95801-08120-07	Flange bolt 8x120	2		



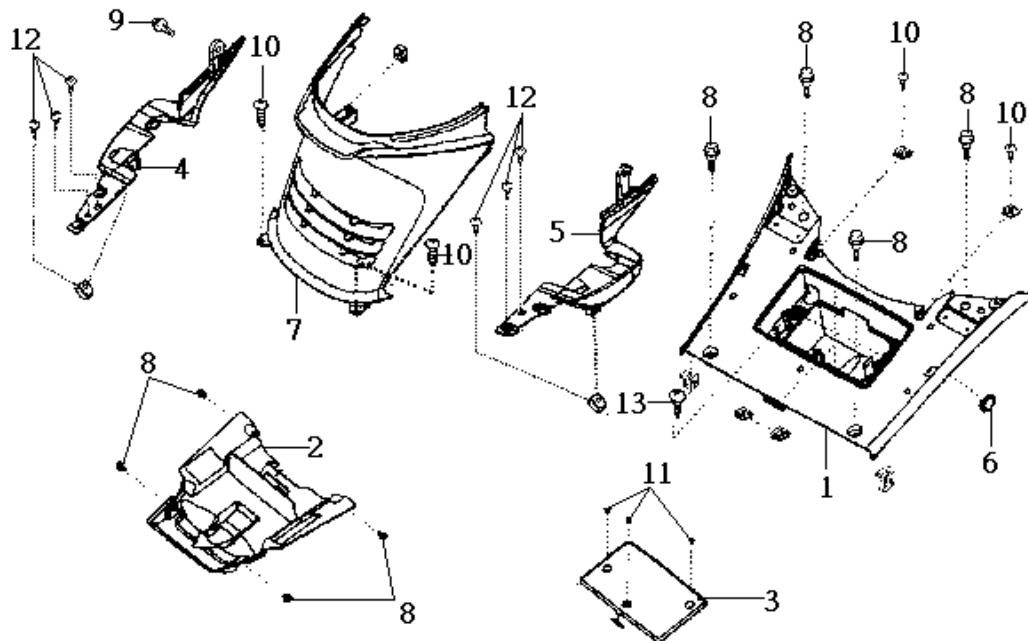
Pictures reference only

PARTS NUMBER	DESCRIPTION	Q T Y	EFFECTIVE DATE	
3 64365-M8Q-000	Fr. Cover cap	1		
4 7720A-H3F-000-BK	Double seat assy	1		
5 77100-P6A-000	Seat hinge	1		
6 8125A-H5A-900-KA	Luggage box assy	1		
7 81260-H3A-010-KA	Luggage box	1		
9 90105-M9Q-000	Seat hinge pin	1		
10 90301-M9Q-900	Open stay nut 6mm	2		
11 90381-GZ5-000	Special screw 6x17	1		
12 94050-06000	Flange nut 6mm	2		
13 95801-06016-08	Flange bolt 6x16	2		



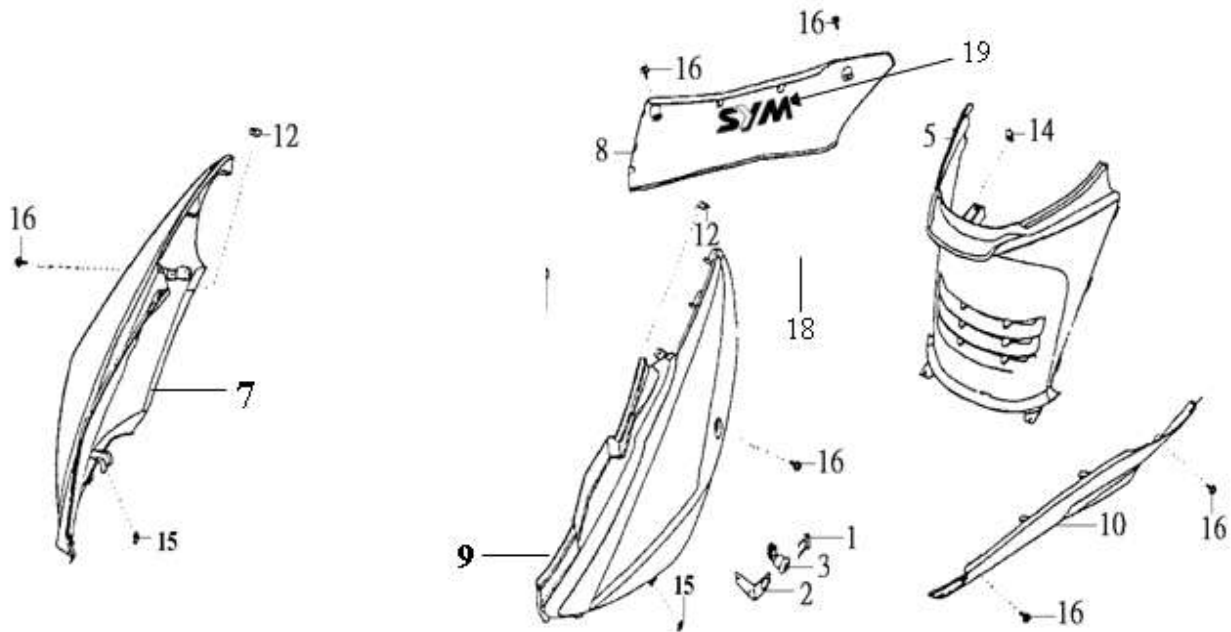
Pictures reference only

PARTS NUMBER	DESCRIPTION	QTY	EFFECTIVE DATE
2 1695A-H3B-000	Fuel cock assy	1	
3 1750A-H3B-000	Fuel tank assy	1	
4 17500-H3A-000	Fuel tank comp	1	
5 17620-H6P-000	Fuel tank cap comp	1	
8 17660-H3A-000	Filler pipe comp	1	
9 17770-H01-000	Fuel tank lock nut	1	
10 37800-H3A-000	Fuel nut	1	
11 95801-06016-08	Flange bolt 6x16	2	
12 95801-06020-08	Flange bolt 6x20	1	
13 1758A-H3B-000	F.C.V. set	1	
14 17580-A31-000	F.C.V. comp.	1	



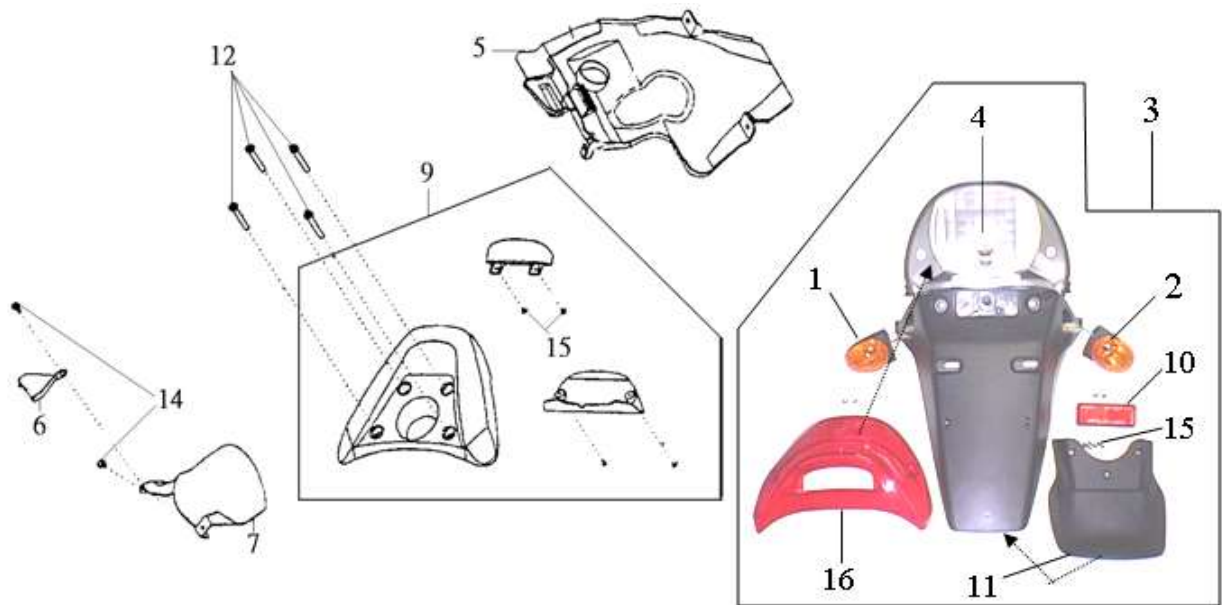
Pictures reference only

PARTS NUMBER	DESCRIPTION	Q T Y	EFFECTIVE DATE	
1 50610-H3A-000-KA	FLOOR PANEL	1		
2 50613-H3A-000-KA	UNDER COVER	1		
3 50620-H3A-000-KA	BATTERY LID	1		
4 64311-H3F-000-KA	RR/R FLOOR PANEL	1		
5 64312-H3F-000-KA	RR/L FLOOR PANEL	1		
6 70529-M9Q-000	SIDE PANEL GROMMET B	1		
7 80151-H3A-000-KA	CENTER COVER	1		
8 90111-M9Q-000	FLANGE BOLT 6MM	4		
9 93404-06012-08	BOLT. WASH 6*12	2		
10 93903-34380	TAPPING SCREW 4*12	4		
11 93903-35320	F TAPPING SCREW 5*16	3		
12 93903-35380	TAPPING SCREW 5*16	6		
13 93903-45380	TAPPING SCREW 5X16	1		
14 64320-H3A-000-KA	FLOOR MAT	1		



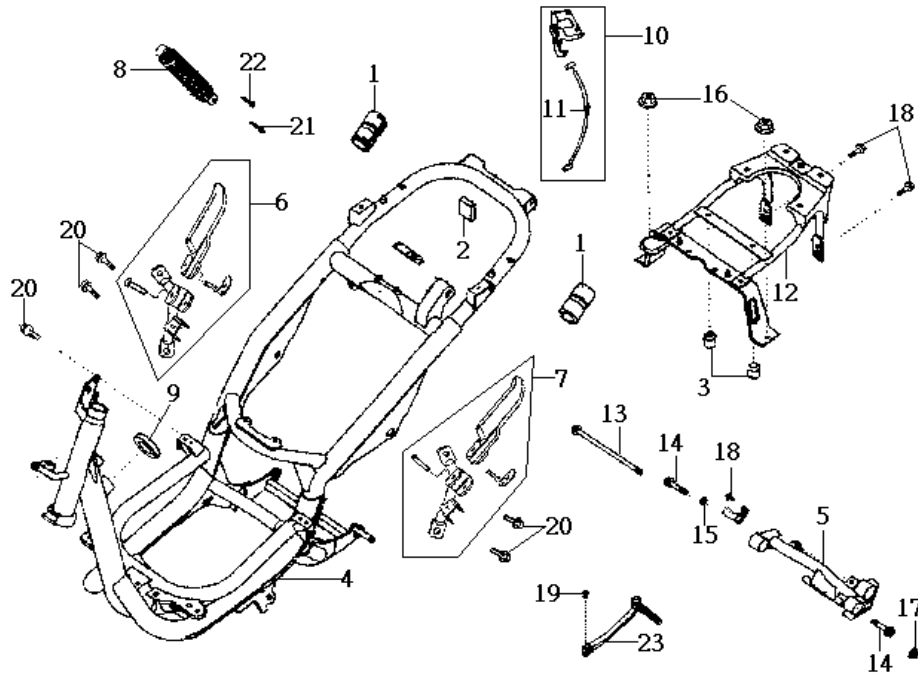
Pictures reference only

PARTS NUMBER		DESCRIPTION	QTY	EFFECTIVE DATE	
1	75581-M9Q-000	N/A	1		
1	75581-A16-000	Lock key set spring	1		Y
2	77236-HAA-000	Seat lock washer	1		
3	77239-T53-000	Key seat lock	1		
5	80151-H3A-000-KA	Center cover	1		
7	83500-H3F-000-XX	R. body cover ass'y	1	K = ADD COLOUR	
8	83520-H3A-000-XX	R. side cover	1	K = ADD COLOUR	
9	83600-H3F-000-XX	L. body cover ass'y	1	K = ADD COLOUR	
10	83620-H3A-000-XX	L. side cover	1	K = ADD COLOUR	
12	90302-SA4-003	Spring nut 4mm	2		
14	90305-M9Q-000	Clip nut 6mm	1		
15	90677-GR1-003	Clip nut 5mm	2		
16	93891-05016-07	Washer screw 5x16	6		
18	87127-H5F-010	Body cover stripe type 1	1		
19	87122-G22-000-T1	SYM stripe (194mm)	1		



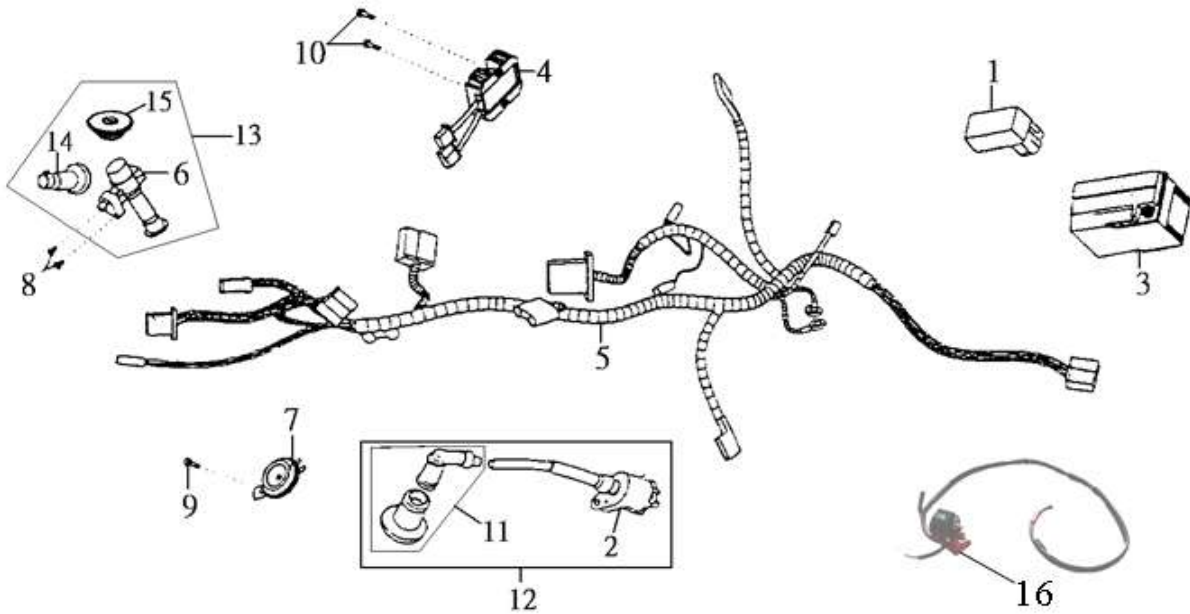
Pictures reference only

PARTS NUMBER		DESCRIPTION	QTY	EFFECTIVE DATE	
1	33600-H3A-000	RR. R. winker assy	1		
2	33650-H3A-000	RR. L. winker assy	1		
3	3370A-H3A-010	RR. Light assy	1		
4	34906-M70-000	Tail light bulb12V P21/5W	1		
5	80105-H3A-000-KA	RR. Inner fender assy	1		
6	80103-H3A-000	RR. Mudguard stay	1		
7	80107-H3A-000-KA	RR. mudguard	1		
9	8120A-H3B-000-XX	RR. Carrier assy	1	=	ADD COLOUR
10	33741-H3A-000	RR. Reflex reflector	1		
11	80108-H3A-000	RR. fender plate B	1		
12	90185-M3F-000	Socket bolt 8x45	4		
14	93891-06016-07	Washer screw 6x16	2		
15	93903-34380	Tapping screw 4x12	7		
16	33702-H3A-000	N/A Tail light lens	1		
16	33702-H3B-000	Tail light lens	1		Y



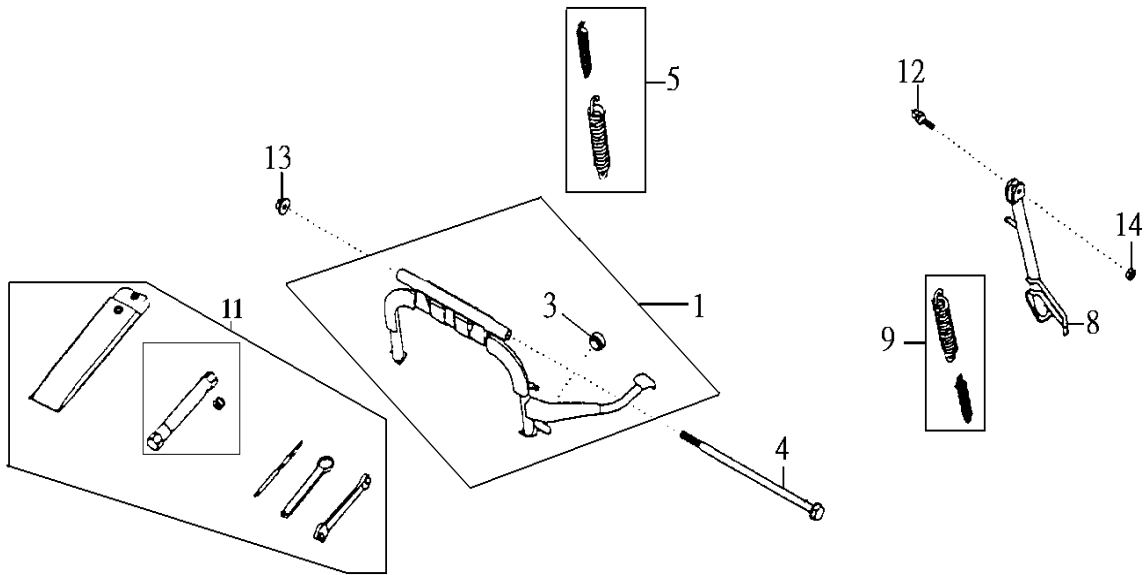
Pictures reference only

PARTS NUMBER	DESCRIPTION	QTY	EFFECTIVE DATE	
1 17621-H3A-000	FUEL TANK PAD RUBBER A	2		
2 17624-H3A-000	FUEL TANK SPONGE	1		
3 17625-H3A-000	F FUEL TANK PAD RUBBER	2		
4 50100-H5N-000	FRAME BODY COMP.	1		
5 50350-H3A-000	ENG. HANGER COMP.	1		
6 50710-H3F-000	R. PILLION STEP ASS'Y	1		
7 50720-H3F-000	L. PILLION STEP ASS'Y	1		
8 52400-H3F-000	RR. CUSHION ASS'Y	1		
9 64306-H12-020	INNER BOX SPONGE	1		
10 77230-H3A-000	SEAT CATCH ASS'Y	1		
11 77240-H3A-000	SEAT LOCK CABLE	1		
12 81202-H5K-000	RR. CARRIER BRKT.	1		
13 90105-H6B-900	FLANGE BOLT 10*204	1		
14 90106-M9Q-900	FLANGE BOLT 10*55	2		
16 94050-06080	NUT.FLANGE 6MM	2		
17 94050-10080	NUT. FLANGE. 10MM	1		
18 95801-06012-08	FLANGE BOLT 6*12	2		
19 95801-06022-07	FLANGE BOLT 6*22	1		
20 95801-08016-08	FLANGE BOLT 8*16	4		
21 95801-08032-08	FLANGE BOLT 8*32	1		
22 95801-10040-08	BOLT. FLANGE. 10*40	1		
23 28300-HKA-000	KICK STARTER ARM	1		



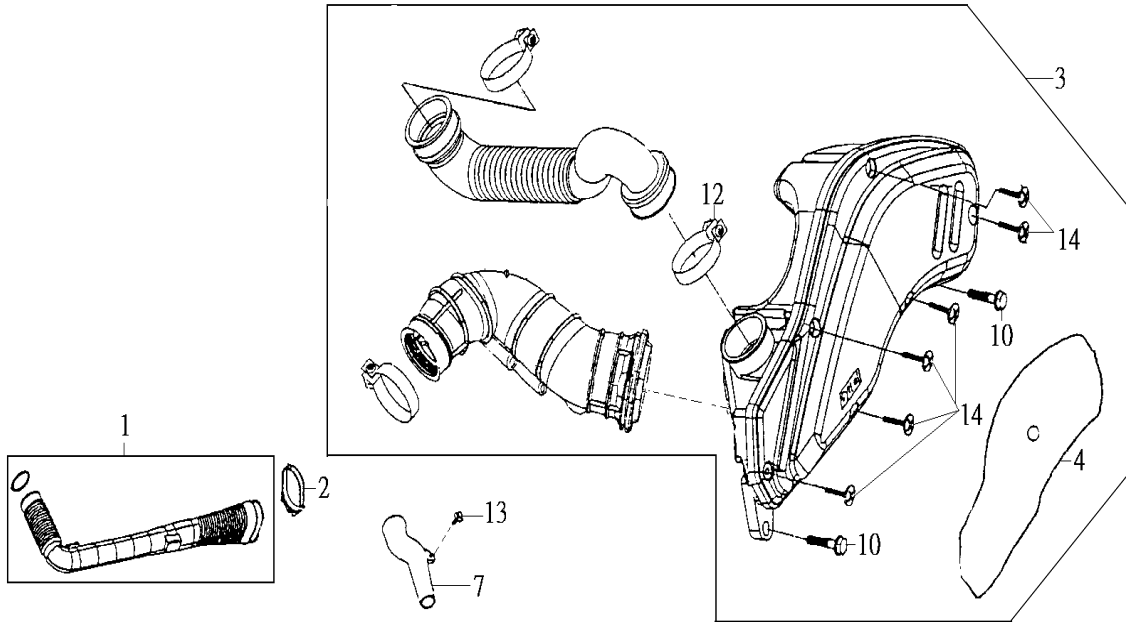
Pictures reference only

PARTS NUMBER	DESCRIPTION	QTY	EFFECTIVE DATE	
1 30410-M92-000	C.D.I. Unit assy	1		
2 30510-H3A-000	I.G.N. coil assy	1		
3 1Y01KV701-Y	Battery assy YTX9-BS	1		
4 31600-N28-000	Reg. Rec. assy	1		
4 31600-M9Q-000	Reg. Rec. assy	1		N
5 32100-H5M-000	Wire harness	1		
6 35100-H3A-600	Comp & lock SW. assy	1		
7 38110-H3A-000	Horn comp	1		
8 90164-X01-000	Flat lock screw 6x12	2		
9 95801-08012-08	Flange bolt 8x12	1		
10 95801-06012-08	Flange bolt 6x12	2		
11 30700-M92-000	Spark plug cap	1		
12 3051A-H3A-010	N/A I. G. N. Coil ass'y	1		
12 3051A-H3A-000	I. G. N. Coil ass'y	1		Y
13 35010-H3A-600	FULL LOCK SET	1		
14 77239-T53-000	Key seat lock	1		
15 17620-H6P-000	Fuel filler cap comp.	1		
16 3585A-H3A-010	Star mag. Switch set	1		



Pictures reference only

PARTS NUMBER	DESCRIPTION	QTY	EFFECTIVE DATE	
1 5050A-H3A-600	Main stand assy	1		
3 50505-H3A-000	Main stand stop rubber	1		
4 50512-H6B-000	Main stand pivot bolt	1		
5 5052A-X07-980	Main stand spring assy	1		
8 50530-H3A-900	Side stand comp	1		
9 95014-72204	Side stand spring	1		
11 89010-M92-000	Tool set	1		
12 90108-G03-000	Side stand pivot screw	1		
13 90304-M9Q-000	Flange U nut 10mm	1		
14 90309-M9Q-000-M2	Flange U nut 8mm	1		



Pictures reference only

PARTS NUMBER		DESCRIPTION	QTY	EFFECTIVE DATE	
1	1134B-H3B-000	L. cover duct assy	1		
2	11346-M9Q-000	N/A L. cover duct band	1		
2	11346-GY6-900	L. cover duct band	1		Y
3	17200-H3A-000	Air cleaner assy	1		
4	17211-H3A-000	Air cleaner element comp	1		
7	1724A-H3A-000	Air cleaner inlet chamber assy	1		
10	95701-06025-07	Flange bolt 6x25	2		
13	93404-06016-08	Washer bolt 6x16	1		
14	93903-25480	Tapping screw 5x20	6		

PARTS NO. INDEX

PARTS NO.	NO.	PARTS NO.	NO.	PARTS NO.	NO.
11000		13000		16000	
11100-H3A-000-SN	E15	13000-H7C-020	E16	16100-H5A-000-01	E17
11102-H6B-300	E15	13010-H7C-000	E16	16201-M92-000	E02
11192-H6B-000	E15	13101-H7C-000	E16	16211-M92-000	E02
11200-H3A-000-SN	E15	13111-M4Q-000	E16	1695A-H3B-000	F11
11203-M9Q-300	E15	13201-H7A-000	E16	17000	
11221-H3A-000	E03	1320A-H7A-000	E16	1711A-H6B-900	E02
11221-H3A-000	E15	13381-M92-300	E16	17200-H3A-000	F18
11331-H6B-000-SN	E07	14000		17211-H3A-000	F18
1133A-H3A-000-SN	E07	14100-H7A-000	E04	1724A-H3A-000	F18
11340-H3A-000-H2	E11	14105-A31-000	E04	17256-M9Q-000	E17
11341-H3A-000	E11	14105-X01-000	E04	17500-H3A-000	F11
11346-GY6-900	F18	14108-M36-000	E04	1750A-H3B-000	F11
11346-M9Q-000	F18	14311-M92-300	E16	17580-A31-000	F11
1134A-H3A-000	E11	14431-H7A-000-F2	E04	1758A-H3B-000	F11
1134B-H3B-000	F18	14441-H7A-000-F2	E04	17620-H6P-000	F11
11354-H3A-000	E11	14451-H6B-000	E04	17620-H6P-000	F16
11356-H3A-000	E11	14452-H6B-000	E04	17621-H3A-000	F15
1135A-H3F-000-KA	E11	14457-H7A-000	E04	17624-H3A-000	F15
11360-M92-300	E11	14510-M92-000	E05	17625-H3A-000	F15
11384-M92-000	E01	14520-H6T-000	E05	17660-H3A-000	F11
11385-H3A-000	E01	14520-M9Q-000	E05	17770-H01-000	F11
11394-H6B-000	E07	14522-H6T-000	E05	17910-H3A-000	F03
11395-H3A-000	E11	14523-M9Q-000	E05	18000	
12000		14524-H6T-000	E05	18000-H5N-000	F09
12100-H7C-000-A	E06	1453A-M92-000	E05	18291-M9Q-000	F09
12101-H7C-000	E06	14610-H6T-000	E05	18293-H12-000	F09
12191-H6B-000	E06	14610-M92-000	E05	18318-H3F-000	F09
12200-H5A-000	E02	14711-H6B-000	E04	18328-H3A-000	F09
12202-H6B-300	E04	14721-H6B-000	E04	18410-H3A-000	F09
12203-H6B-300	E04	14751-H6B-000	E04	19000	
12209-H6B-000	E04	14771-H6B-000	E04	19510-M92-000	E08
12209-H6B-900	E04	14781-M9Q-000-A	E04	1961A-H6B-000	E01
1220A-H5A-001	E02	15000		1962A-H6B-000	E01
12237-H6T-300	E02	15100-H7A-000	E09	19632-V02-000	E01
12245-H6T-300	E02	15133-M92-000	E09	1963A-H3A-000	E01
12251-H7A-000	E02	15421-M9Q-000	E07	21000	
12300-H6B-000	E03	15426-M9Q-000	E07	21200-H3A-000	E14
1236A-H6B-000	E02	1565A-M92-000	E07	21395-H3A-000	E14
1236A-V02-000	E07	15711-M92-000	E09	22000	

PARTS NO. INDEX

PARTS NO.	NO.	PARTS NO.	NO.	PARTS NO.	NO.
22101-M9Q-000	E13	30410-M92-000	F16	36150-H5M-000	F04
22102-M92-000	E12	30510-H3A-000	F16	37000	
22105-H5B-000	E12	3051A-H3A-000	F16	37200-H5N-000	F02
22110-H5B-000	E12	3051A-H3A-010	F16	37211-H3A-000	F02
2211A-H5B-000	E12	30700-M92-000	F16	37800-H3A-000	F11
22121-M92-000-A	E12	31000		38000	
22131-M92-000	E12	31100-H3A-010	E08	38110-H3A-000	F16
22132-M92-000-A	E12	31120-H3A-010	E08	38301-A31-000	F02
22300-M9A-000	E13	31200-M92-100	E10	42000	
23000		31600-M9Q-000	F16	42311-H3A-000	F08
23010-H5K-000	E13	31600-N28-000	F16	42601-H3A-000-SH	F08
23200-M92-000	E13	32000		42601-H3A-900-SH	F08
23210-M92-000	E13	32100-H5M-000	F16	43000	
23220-H7A-000	E13	32106-KBN-900	F03	4312A-H6B-900	F08
23225-M9Q-000	E13	32106-KBN-900	F07	43141-H6B-010	F08
23226-M9Q-000	E13	32161-H6B-000	E01	43410-H3A-000	F08
23233-H7A-000	E13	32961-M92-000	E07	43415-H3A-000	F08
23237-H7C-000	E13	33000		43450-H3A-000	F03
23238-M9Q-000	E13	33100-H9B-600	F01	43472-H3A-000	F08
23411-M92-000	E14	33400-H3A-600	F04	44000	
23420-M92-000	E14	33450-H3A-600	F04	44301-H3F-000	F06
23421-M92-300	E14	33600-H3A-000	F14	44311-GW0-910	F06
23422-M92-300	E14	33650-H3A-000	F14	44601-H9A-000-SH	F06
23431-H3A-000	E14	33702-H3A-000	F14	44620-H3A-000	F06
23432-M92-000	E14	33702-H3B-000	F14	44800-G22-000	F06
28000		3370A-H3A-010	F14	44830-H3A-600	F02
28101-M9Q-000	E10	33741-H3A-000	F14	45000	
28102-M9Q-000	E10	34000		45100-H3A-600	F07
28110-M9Q-000	E10	34906-M70-000	F14	45105-H3A-900-A	F07
28120-M9Q-000	E10	34908-M9Q-100	F04	45121-H3A-000	F06
28125-M92-000	E10	35000		45126-H3A-600	F07
2812A-H6T-000	E10	35010-H3A-600	F16	45133-M9Q-000	F08
2812A-M92-000	E10	35100-H3A-600	F16	45133-M9Q-900	F08
28230-M92-000	E11	35160-M9Q-000	F04	45156-H01-000	F05
28233-M92-000	E11	35170-M9Q-000	F04	45451-N02-000	F05
28250-H3A-000	E11	35180-M9Q-000	F04	45500-H3A-000	F07
28254-M92-000	E11	35200-M9Q-000	F04	50000	
28281-M92-000	E11	35350-M70-000	F03	50100-H5N-000	F15
28300-HKA-000	F15	3585A-H3A-010	F16	50301-M9Q-000	F05
30000		36000		50302-M9Q-000	F05

PARTS NO.	NO.	PARTS NO.	NO.	PARTS NO.	NO.
50306-M9Q-000	F05	53211-M9Q-000	F05	80151-H3A-000-KA	F12
50350-H3A-000	F15	53212-M9Q-000	F05	80151-H3A-000-KA	F13
50505-H3A-000	F17	53214-M9Q-000	F05	81000	
5050A-H3A-600	F17	53215-M9Q-000	F05	81131-H5K-000-CO	F01
50512-H6B-000	F17	61000		81131-H5K-000-KJ	F01
5052A-X07-980	F17	61100-H3F-000-CO	F05	81131-H5K-000-RT	F01
50530-H3A-900	F17	64000		81131-H5K-000-SQ	F01
50610-H3A-000-KA	F12	64300-H5K-000-CO	F01	81132-H6T-000-KA	F01
50613-H3A-000-KA	F12	64300-H5K-000-KJ	F01	81134-H6T-000	F01
50620-H3A-000-KA	F12	64300-H5K-000-RT	F01	81134-H6T-000-KA	F01
50710-H3F-000	F15	64300-H5K-000-SQ	F01	81202-H5K-000	F15
50720-H3F-000	F15	64301-H3F-900-CO	F01	8120A-H3B-000-CO	F14
51000		64301-H3F-900-KJ	F01	8120A-H3B-000-KJ	F14
51400-H3F-000	F05	64301-H3F-900-RT	F01	8120A-H3B-000-RT	F14
51500-H3F-000	F05	64301-H3F-900-SQ	F01	8120A-H3B-000-SQ	F14
52000		64306-H12-020	F15	8125A-H5A-900-KA	F10
52400-H3F-000	F15	64311-H3F-000-KA	F12	81260-H3A-010-KA	F10
53000		64312-H3F-000-KA	F12	83000	
53100-H3A-900	F04	64318-H6B-010-KA	F01	83500-H3F-000-CO	F13
53105-H3A-000	F03	64320-H3A-000-KA	F12	83500-H3F-000-KJ	F13
53125-M9Q-000	F04	64365-M8Q-000	F10	83500-H3F-000-RT	F13
53140-H3A-000	F03	70000		83500-H3F-000-SQ	F13
53166-H3A-000	F03	70529-M9Q-000	E01	83520-H3A-000-CO	F13
53167-H09-900	F03	70529-M9Q-000	F12	83520-H3A-000-KJ	F13
53168-H09-000	F03	75000		83520-H3A-000-RT	F13
53172-H3A-000	F03	75581-A16-000	F13	83520-H3A-000-SQ	F13
53173-GS7-003	F03	75581-M9Q-000	F13	83600-H3F-000-CO	F13
53175-H09-020	F07	77000		83600-H3F-000-KJ	F13
53178-H01-011	F03	77100-P6A-000	F10	83600-H3F-000-RT	F13
5317B-H3F-000	F03	7720A-H3F-000-BK	F10	83600-H3F-000-SQ	F13
53200-H3A-000	F05	77230-H3A-000	F15	83620-H3A-000-CO	F13
53206-H3A-010-CO	F04	77236-HAA-000	F13	83620-H3A-000-KJ	F13
53206-H3A-010-KJ	F04	77239-T53-000	F13	83620-H3A-000-RT	F13
53206-H3A-010-RT	F04	77239-T53-000	F16	83620-H3A-000-SQ	F13
53206-H3A-010-SQ	F04	77240-H3A-000	F15	87000	
5320C-H3A-010-CO	F04	80000		87122-G22-000-T1	F13
5320C-H3A-010-KJ	F04	80103-H3A-000	F14	87127-H5F-010	F13
5320C-H3A-010-RT	F04	80105-H3A-000-KA	F14	88000	
5320C-H3A-010-SQ	F04	80107-H3A-000-KA	F14	88110-H3A-000	F03
53210-H3A-600	F02	80108-H3A-000	F14	88112-M9Q-000	F03

PARTS NO. INDEX

PARTS NO.	NO.	PARTS NO.	NO.	PARTS NO.	NO.
88120-H3A-000	F03	90301-M9Q-900	F10	91202-KJ9-003	E14
89000		90302-SA4-003	F02	91202-M9Q-300	E14
89010-M92-000	F17	90302-SA4-003	F13	91255-M9Q-300	E14
90000		90304-M9Q-000	F04	91258-M9Q-000-M2	F06
90001-GY6-900	E10	90304-M9Q-000	F17	91302-H6B-900	E02
90001-M9Q-000	E05	90305-GW0-901-M1	F08	91305-M9Q-000	E02
90002-M9Q-000	E10	90305-M9Q-000	F13	91308-M9Q-000	E02
9000B-M9Q-000	E11	90306-M9Q-000	F06	91508-A26-000	F04
90012-M9Q-000	E04	90309-M9Q-000-M2	F17	92000	
90031-107-010	E02	90381-GZ5-000	F10	92101-05012-0A	E08
90031-M2Q-000	E02	90403-M92-000	E10	92800-12000	E15
90032-M92-300	E02	90440-M9Q-000	E08	93000	
90033-M92-000	E02	90440-M9Q-000	E12	93404-06012-08	F12
90083-X01-000	E04	90440-M9Q-000	E13	93404-06012-08	F14
90103-KN8-000	E15	90442-028-000	E02	93404-06016-08	F18
90103-M9Q-000	E15	90443-107-000	E02	93500-06020-0G	E11
90104-H9A-000	F07	90443-107-000	F09	93600-06025-0A	E09
90105-H6B-900	F15	90451-M9Q-000	E11	93891-05016-07	F13
90105-KR3-000	F06	90452-M9Q-000	E11	93891-06016-07	F14
90105-M9Q-000	F10	90474-M9Q-000	E15	93903-25480	F18
90106-M9Q-000	F04	90545-M9Q-000	F07	93903-34320	F02
90106-M9Q-900	F15	90602-N01-000	E09	93903-34320	F04
90108-G03-000	F17	90677-GR1-003	F13	93903-34380	F12
90110-H3A-000	F09	90682-V02-900	E03	93903-34380	F14
90110-T53-000	F07	90701-M9Q-000	E10	93903-34480	F04
90111-H3A-000	F09	90702-M9Q-000	E16	93903-35220	F04
90111-H9A-000	F09	90754-M9Q-000-M2	F06	93903-35320	F01
90111-M9Q-000	F12	90912-M9Q-000-M1	F06	93903-35320	F12
90115-M9Q-000	F03	91000		93903-35380	F01
90121-M9Q-000	F15	91001-GY6-900-M1	E13	93903-35380	F12
90145-M9Q-000	F07	91001-H6B-300	E16	93903-45380	F01
90164-X01-000	F16	91001-H6T-300	E13	93903-45380	F12
90185-M3F-000	F14	91001-M9Q-300	E13	93904-35280	E01
90185-T31-000	F03	91001-X06-911-M1	E16	93904-35380	E01
90201-M9Q-000	E10	91002-H6B-300	E13	94000	
90202-M9Q-000	E13	91101-M9Q-000	E16	94001-05000-0S	F03
90203-M9Q-000	E12	91104-M9Q-000	E10	94050-06000	E02
90203-M9Q-000	E13	91201-GY6-903-M2	E07	94050-06000	F10
90206-M9Q-000	E04	91202-G03-010	E12	94050-06080	F15
90301-M92-000	F09	91202-G03-010	E15	94050-10080	F15

PARTS NO. INDEX

PARTS NO.	NO.	PARTS NO.	NO.	PARTS NO.	NO.
94050-12000	E08	96001-06025-08	E01		
94109-12000	E15	96001-06025-08	E14		
94301-08140	E07	96001-06030-08	E07		
94301-08140	E14	96001-06032-08	E14		
94301-08140	E15	96001-06045-08	E15		
94301-10200	E06	96001-06055-08	E15		
94510-20000	E14	96001-06095-08	E02		
94511-14000	E11	96001-06095-08	E07		
94520-28000	E13	96001-06100-08	E07		
94601-15000	E16	96100-62033-10	E14		
95000		96100-63013-00	E14		
95002-40850-08	E03	96150-60043-10	E14		
95014-72204	F17	96150-62043-10	E14		
95015-32001	F08	DRIVE BELT			
95015-42000	F08	1B01H3A01	E12		
95701-06018-08	E08	CAM CHAIN			
95701-06020-00	E03	1C14401-M92-000	E05		
95701-06025-07	F18	SPARK PLUG			
95701-06032-00	F08	1PC7E	E02		
95801-06012-08	F15	1PCR7E-3	E02		
95801-06012-08	F16	TIRE			
95801-06016-08	F10	1T011009012-4PR	F06		
95801-06016-08	F11	1T011307012-4PR-DN	F08		
95801-06020-08	F11	BATTERY			
95801-06022-07	F15	1Y01KV701-Y	F16		
95801-08012-08	F16	CARB. FIXING SET			
95801-08016-08	F15	H5A-1	E17		
95801-08032-08	F15	H5A-2	E17		
95801-08038-07	F09	H5A-3	E17		
95801-08120-07	F09	H5A-4	E17		
95801-10040-08	F15	H5A-5	E17		
96000					
96001-06010-00	E03				
96001-06010-00	E04				
96001-06012-08	E09				
96001-06016-08	E02				
96001-06016-08	E10				
96001-06018-08	E08				
96001-06020-07	F03				
96001-06025-00	E01				