

# COLOR PARTS INDEX FOR " SHARK 150 "

N O	MODEL		HS15W-8		HS15W-8		HS15W-8		HS15W-8
	BASIC COLOR		BLUE		SILVER		RED/BLACK		BLACK/SILV
	CODE		BU-4035S	BL	S-880S	S	R010CA/BK0406S	RBK	S880S/BK0406S
Item	Parts Number	Description	Basic Color	Code	Basic Color	Code	Basic Color	Code	Basic Color
1	42601-H3A-900	RR.WHEEL CAST. COMP	S-877C	SH	S-877C	SH	S-877C	SH	S-877C
2	44601-H9A-000	FR.WHEEL CAST. COMP	S-877C	SH	S-877C	SH	S-877C	SH	S-877C
3	50610-H3A-000	FLOOR PANEL	GY-426U	GK	GY-426U	GK	GY-426U	GK	GY-426U
4	50613-H3A-000	UNDER COVER	BK-001U	KA	BK-001U	KA	BK-001U	KA	BK-001U
5	5061B-H3A-000	R. SIDE STEP	GY-426U	GK	GY-426U	GK	GY-426U	GK	GY-426U
6	5061C-H3A-000	L. SIDE STEP	GY-426U	GK	GY-426U	GK	GY-426U	GK	GY-426U
7	50620-H3A-000	BATTERY LID	GY-426U	GK	GY-426U	GK	GY-426U	GK	GY-426U
8	53206-H3A-010	RR.HANDLE COVER	BU-4035S	CO	S-880S	SQ	BK-0406S	KV	BK-0406S
9	5320C-H3A-010	FR. HANDLE COVER ASSY	BU-4035S	CO	S-880S	SQ	BK-0406S	KV	BK-0406S
10	61100-H3A-000	FR. FENDER	BU-4035S	CO	S-880S	SQ	R-010CA	RT	S-880S
11	61120-H3A-000	FR. UNDER SPOILER	BU-4035S	CO	S-880S	SQ	R-010CA	RT	S-880S
12	6430G-H3A-000	FR. COVER ASSY	N/A		N/A		N/A		N/A
12-1	64301-H3A-000	FR. COVER	BU-4035S	CO	S-880S	SQ	BK-0406S	KV	BK-0406S
12-2	87121-H6T-000	SYM MARK	TYPE1(W)		TYPE1(W)		TYPE1(W)		TYPE1(W)
13	64302-H3A-000	FR. TOP COVER	BU-4035S	CO	S-880S	SQ	BK-0406S	KV	BK-0406S
14	64304-T1E-000	INNER BOX	GY-426U	GK	GY-426U	GK	GY-426U	GK	GY-426U
15	64308-H3A-000	FR. INNER BOX LID	GY-426U	GK	GY-426U	GK	GY-426U	GK	GY-426U
16	64318-H6B-010	FRAME NUMBER LID	GY-426U	GK	GY-426U	GK	GY-426U	GK	GY-426U
17	64320-H3A-000	FLOOR MAT	GY-426U	GK	GY-426U	GK	GY-426U	GK	GY-426U
18	7720A-H3A-010	DOUBLE SEAT COMP	BK-001L	BK	BK-001L	BK	BK-001L	BK	BK-001L
19	80105-H3A-000	RR. INNER FENDER	BK-001U	KA	BK-001U	KA	BK-001U	KA	BK-001U
20	80107-H3A-000	RR. MUDGARD	BK-001U	KA	BK-001U	KA	BK-001U	KA	BK-001U
21	80151-H3A-000	CENTER COVER	GY-426U	GK	GY-426U	GK	GY-426U	GK	GY-426U
22	8120A-H3B-000	RR. CARRIER ASSY	BU-4035S	CO	S-880S	SQ	R-010CA	RT	S-880S
23	8125A-H5A-900	LUGGAGE BOX ASSY	BK-001U	KA	BK-001U	KA	BK-001U	KA	BK-001U
24	8350G-H5A-000	R. BODY COVER ASSY	N/A		N/A		N/A		N/A
24-1	83500-H3A-000	R. BODY COVER	BU-4035S	CO	S-880S	SQ	R-010CA	RT	S-880S
24-2	87128-H5A-000	BODY COVER STRIPE	TYPE1		TYPE1		TYPE1		TYPE1
25	8352G-H3A-800	R. SIDE COVER ASSY	BU-4035S	CO	S-880S	SQ	R-010CA	RT	S-880S
26	8360G-H5A-000	L. BODY COVER ASSY	N/A		N/A		N/A		N/A
26-1	83600-H3A-000	L. BODY COVER	BU-4035S	CO	S-880S	SQ	R-010CA	RT	S-880S
26-2	87128-H5A-000	BODY COVER STRIPE	TYPE1		TYPE1		TYPE1		TYPE1
27	8362G-H3A-800	L. SIDE COVER ASSY	BU-4035S	CO	S-880S	SQ	R-010CA	RT	S-880S

28	83750-H3B-000	RR. CENTER UP. COVER	BU-4035S	CO	S-880S	SQ	R-010CA	RT	S-880S
----	---------------	----------------------	----------	----	--------	----	---------	----	--------

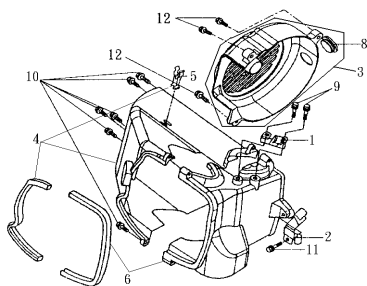
/ER
SBK
Code
SH
SH
GK
KA
GK
GK
GK
KV
KV
SQ
SQ
KV
KV
GK
GK
GK
GK
BK
KA
KA
GK
SQ
KA
SQ
SQ1
SQ
SQ1



# CONTENTS—ENGINE GROUP

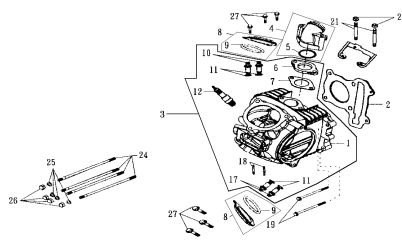
E01

FAN COVER · SHROUD



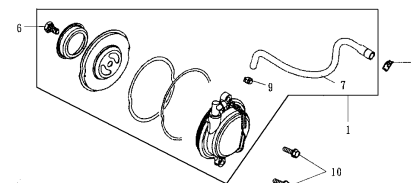
E02

CYLINDER HEAD



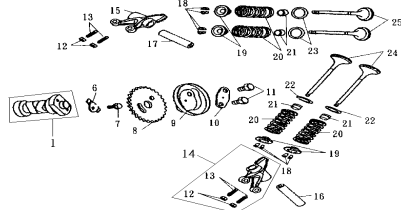
E03

CYLINDER HEAD L. COVER



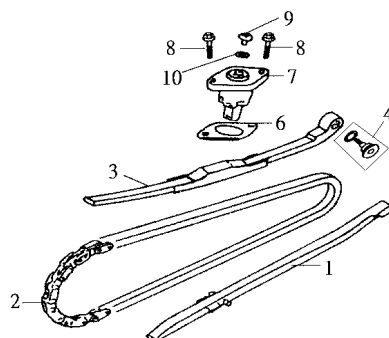
E04

CAM SHAFT · VALVE



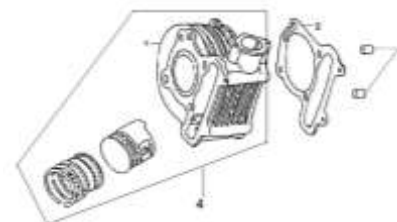
E05

CAM CHAIN · TENSIONER



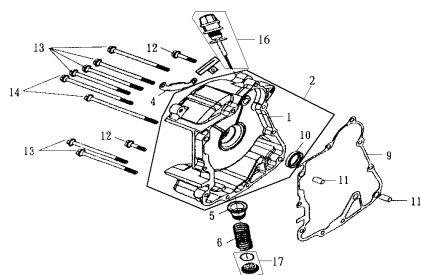
E06

CYLINDER



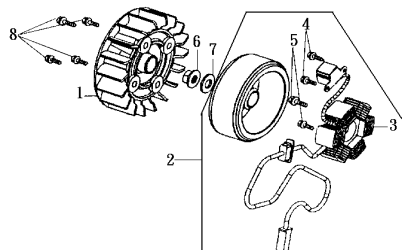
E07

R. CRANK CASE COVER



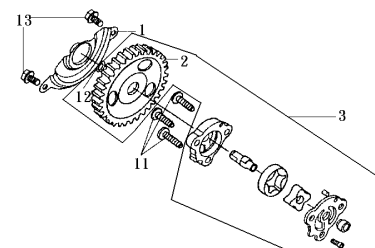
E08

AC. GENERATOR



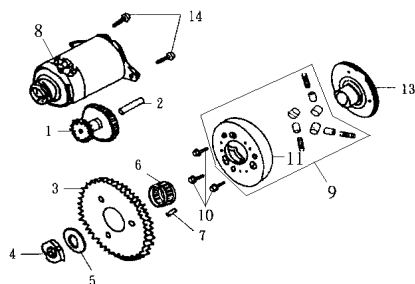
E09

OIL PUMP



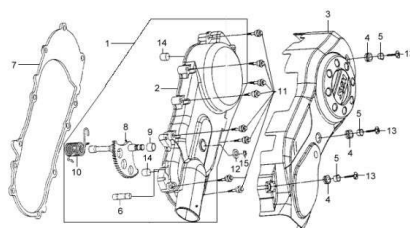
E10

STARTING MOTOR



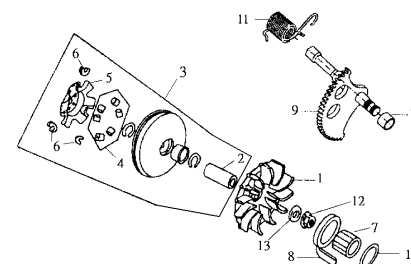
E11

L. CRANK CASE COVER



E12

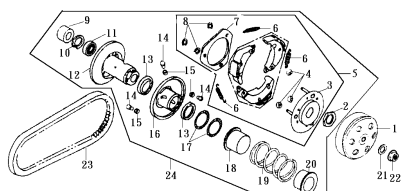
DRIVE FACE



# CONTENTS—ENGINE GROUP

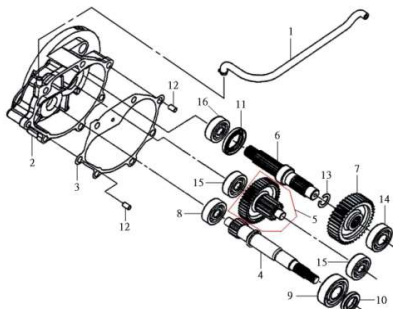
E13

DRIVEN PULLEY



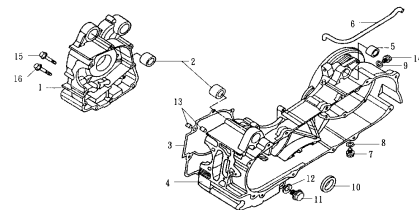
E14

TRANSMISSION



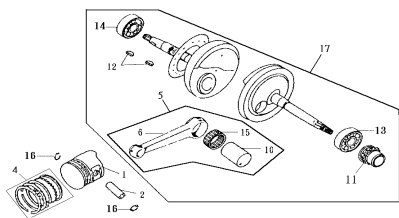
E15

CRANK CASE



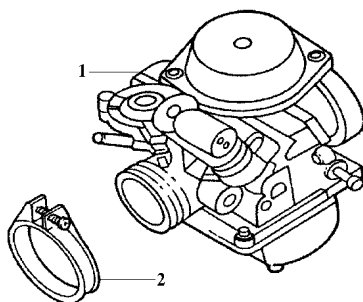
E16

CRANK·PISTON



E17

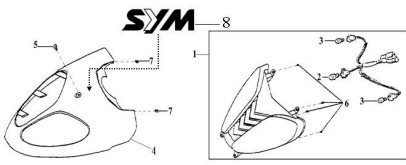
CARBURETOR



# CONTENTS—FRAME GROUP

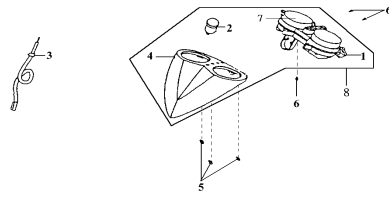
F01

Head Light



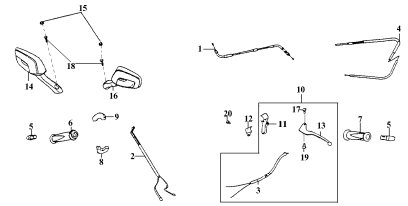
F02

Speedometer Assy



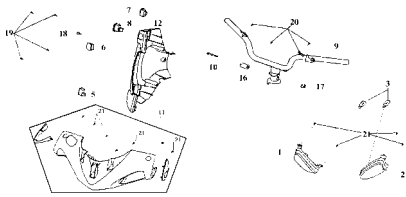
F03

Handle lever. Switch. Cable



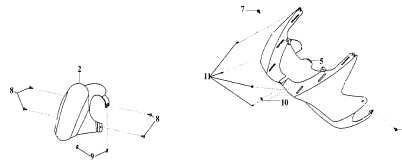
F04

Steering Handle . Handle cove



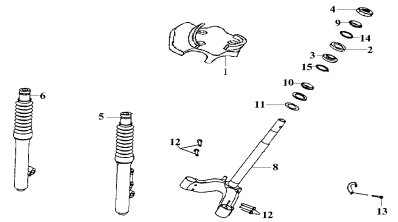
F05

Front Fender



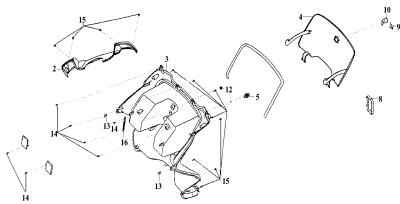
F06

Front Fork



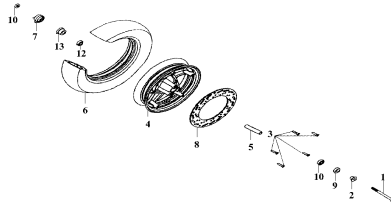
F07

Front Inner Box



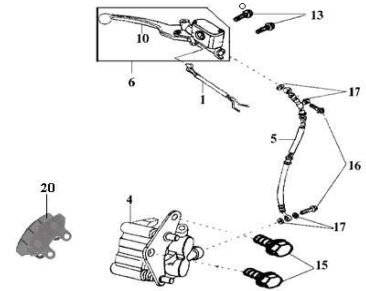
F08

Front Wheel



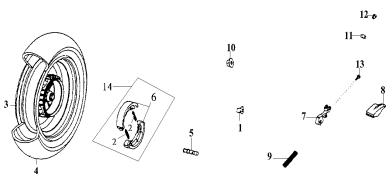
F09

Front Brake



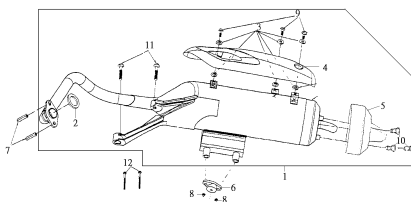
F10

Rear Wheel



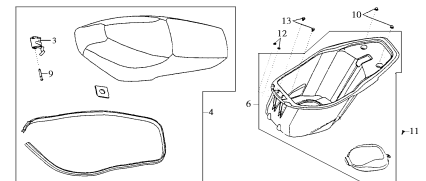
F11

EXH Muffler



F12

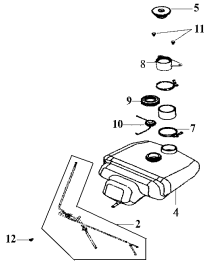
Seat. Luggage Box



# CONTENTS—FRAME GROUP

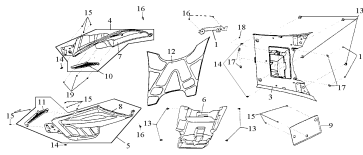
F13

## Fuel Tank



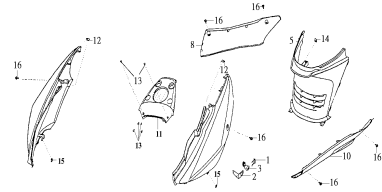
F14

## Floor Panel



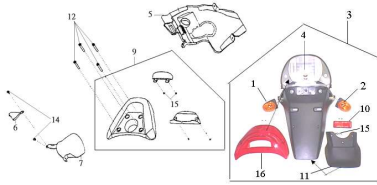
F15

## Body Cover



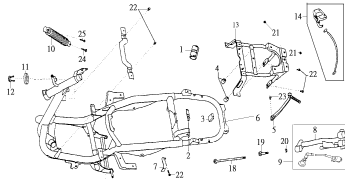
F16

## Tail Light Rear Carrier



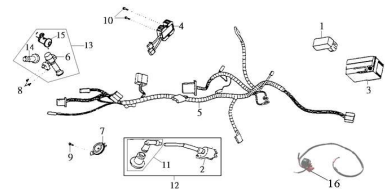
F17

## Frame Body



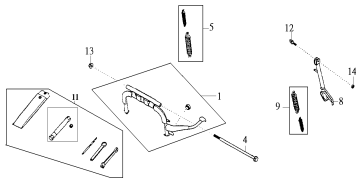
F18

## Wire Harness



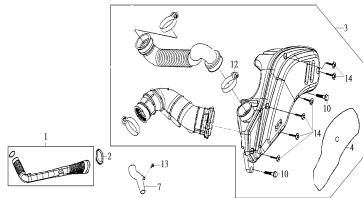
F19

## Main Stand . Side stand

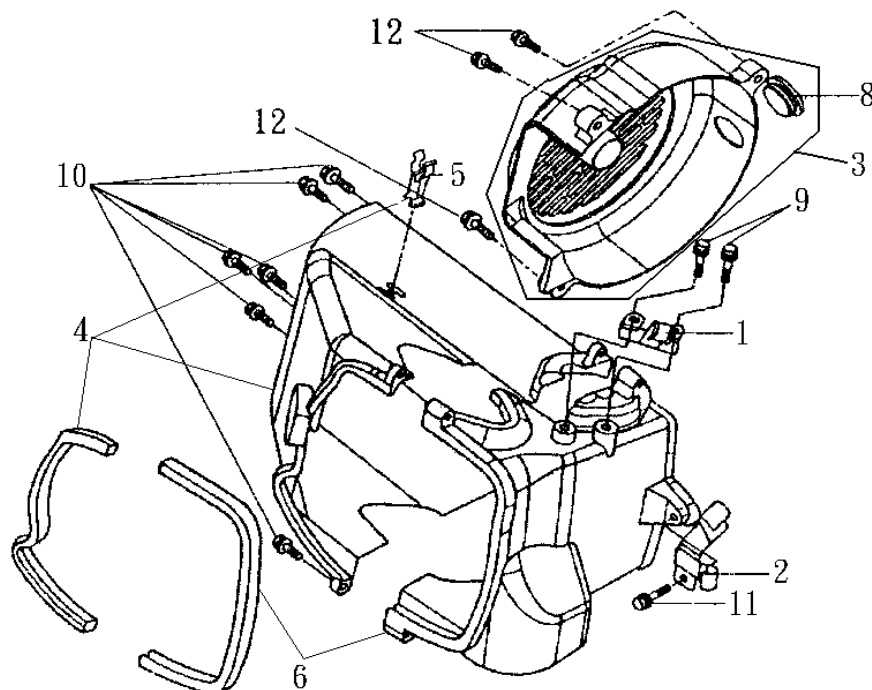


F20

## Air Cleaner







Pictures reference

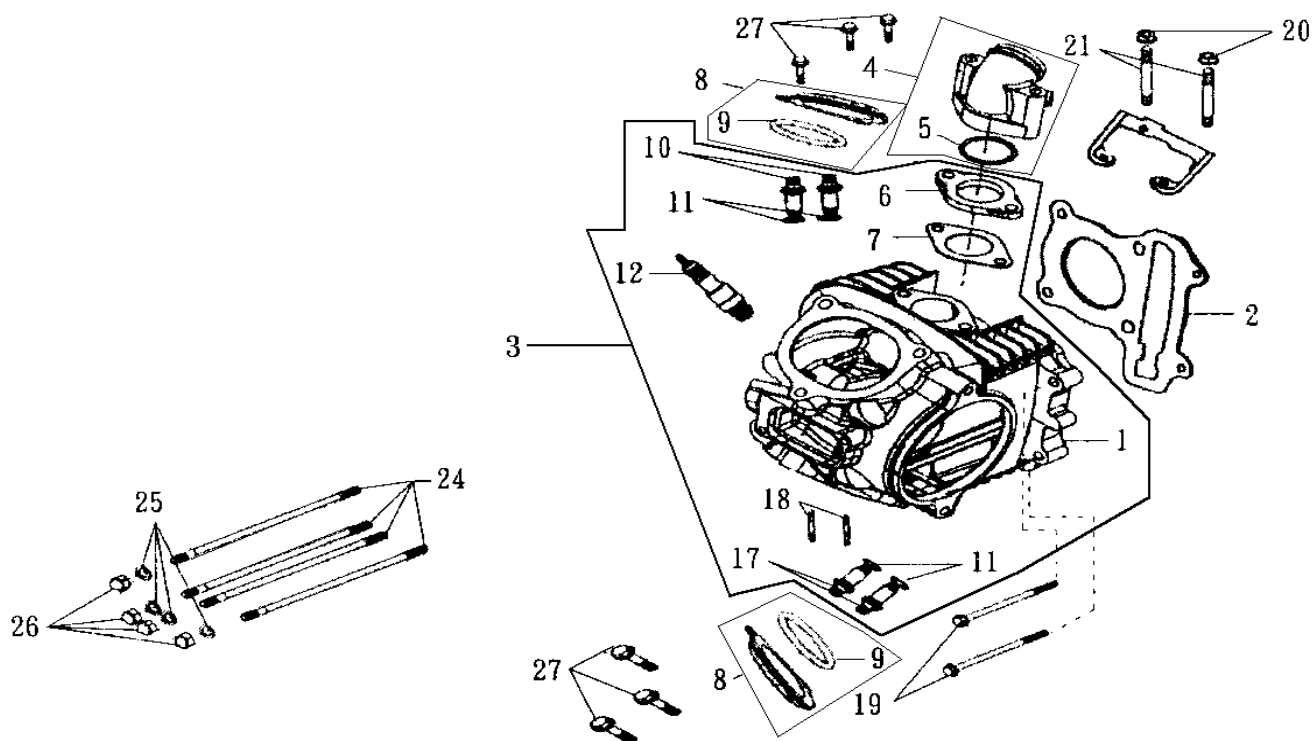
PARTS NUMBER	DESCRIPTION	QTY	EFFECTIVE DATE
1 11384-M92-000 revised	Breather tube clamper	1	
2 11385-H3A-000	Carb. Drain tube clamper	1	
3 1961A-H6B-000	Fan cover assy	1	
4 1962A-H6B-000	Shroud A	1	
5 19632-V02-000	Hightension cord clip	1	
6 1963A-H3A-000	Shroud B	1	
8 70529-M9Q-000	Side panel grommet B	1	
9 93904-35280	Tapping screw 5x12	2	
10 93904-35380	Tapping screw 5x16	6	
11 96001-06025-00	SH flange bolt 6x25	1	
12 96001-06025-08	SH flange bolt 6x25	3	

N-8



only





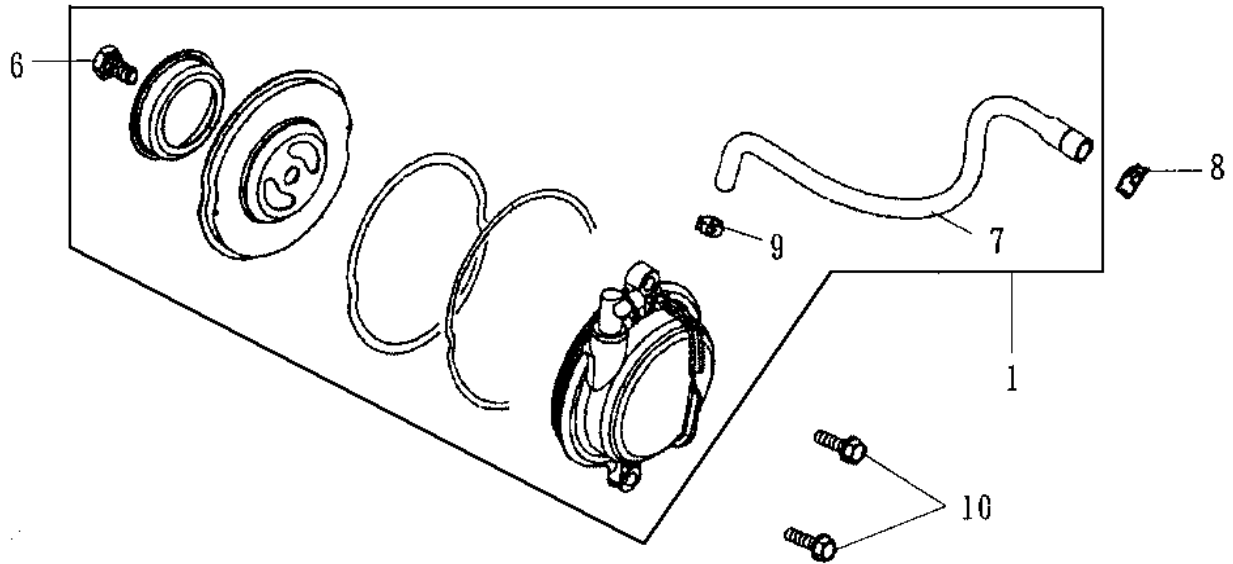
Pictures reference

PARTS NUMBER	DESCRIPTION	QTY	EFFECTIVE DATE
1	12200-H5A-000	1	
2	12251-H7A-000	1	
3	1220A-H5A-000	1	
4	1711A-H6B-900	1	
5	91308-M9Q-000	1	
6	16211-M92-000	1	
7	16201-M92-000	1	
8	1236A-H6B-000	2	
9	91302-H6B-900	2	
10	12237-H6T-300	2	
11	91305-M9Q-000	4	
12	1PC7E-3	1	
17	12245-H6T-300	2	
18	90032-M92-300	2	
19	96001-06095-08	2	
20	94050-06000	2	
21	90033-M92-000	2	
24	90031-107-010	4	
24	90031-M2Q-000	4	2003/10/13
25	90442-028-000	4	
26	90443-107-000	4	



only





Pictures reference

PARTS NUMBER	DESCRIPTION	QTY	EFFECTIVE DATE
1 12300-H6B-000	Cylinder head L side cover	1	
6 96001-06010-00	SH. Flange bolt 6x10	1	
7 11221-H3A-000	Breather tube	1	
8 90682-V02-900	Tube clamer D11.5	1	
9 95002-40850-08	Tube clip D 8.5	1	
10 95701-06020-00	Flange bolt 6x20	2	

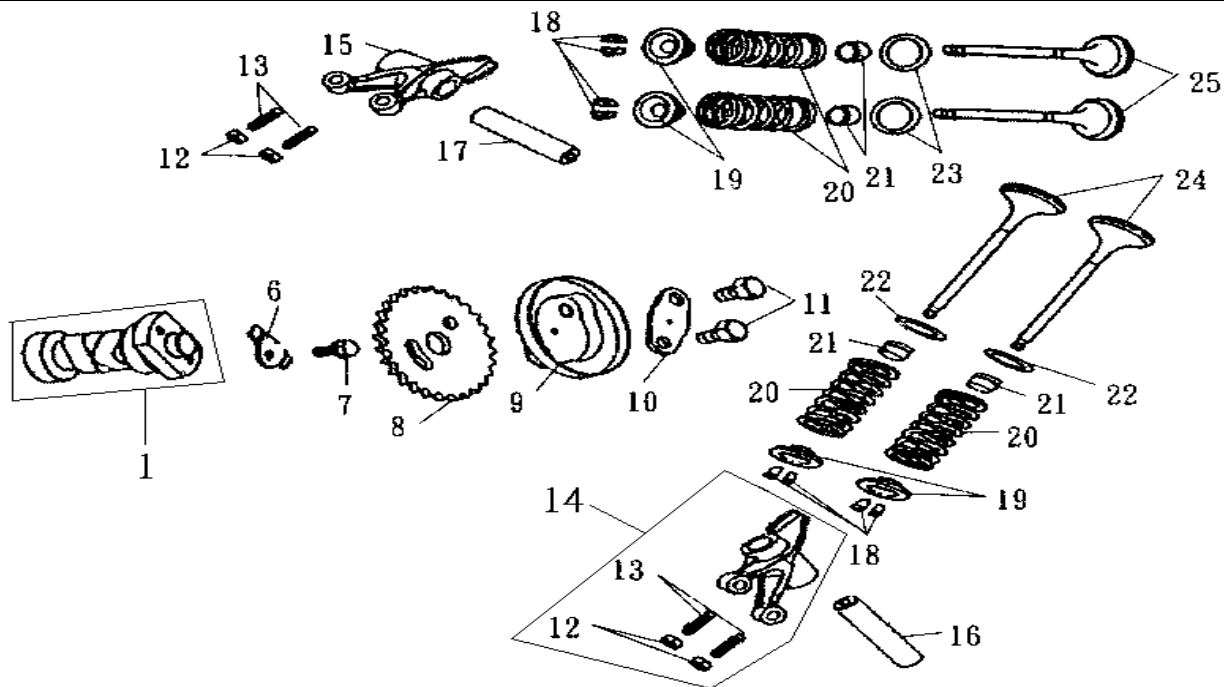
N-8



only







Pictures reference

PARTS NUMBER	DESCRIPTION	QTY	EFFECTIVE DATE
1 14100-H7A-000	Cam shaft comp	1	
6 14457-H7A-000	Cam shaft setting plate	1	
7 96001-06010-00	SH. Flange bolt 6x10	1	
8 14105-A31-000	Cam sprocket	1	
9 14108-M36-000	Centrifugal disk	1	
10 14105-X01-000	Cam sprocket washer	1	
11 90083-X01-000	Lock nut 6mm	2	
12 90206-M9Q-000	Tappet adj. Screw nut	4	
13 90012-M9Q-000	Tappet adj. Screw	4	
14 14441-H7A-000-F2	EXH. Valve rocker arm	1	
15 14431-H7A-000-F2	IN. Valve rocker arm	1	
16 14452-H6B-000	EXH. Valve rocker arm shaft	1	
17 14451-H6B-000	IN. Valve rocker arm shaft	1	
18 14781-M9Q-000-A	Valve cotter	2	
19 14771-H6B-000	Valve spring retainer	4	
20 14751-H6B-000	Valve spring	4	
21 12209-H6B-000	Valve stem seal	4	
21 12209-H6B-900	N/A Valve stem seal	4	2005/9/1
22 12203-H6B-300	EXH. Valve seat	2	
23 12202-H6B-300	IN. valve seat	2	
24 14721-H6B-000	EXH. Valve	2	

25 14711-H6B-000

IN. valve

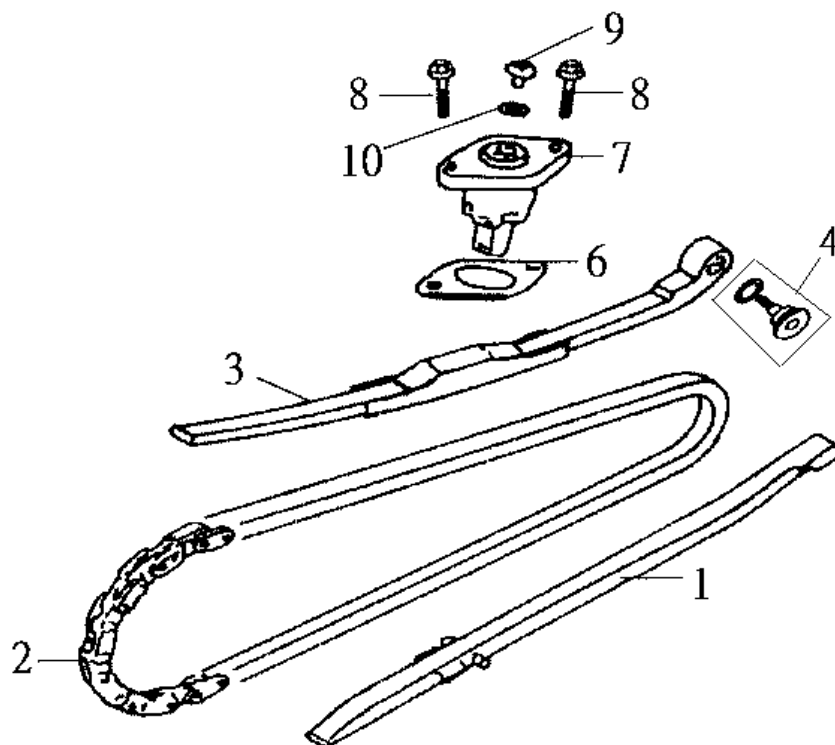
2

N-8

only

Y





Pictures reference

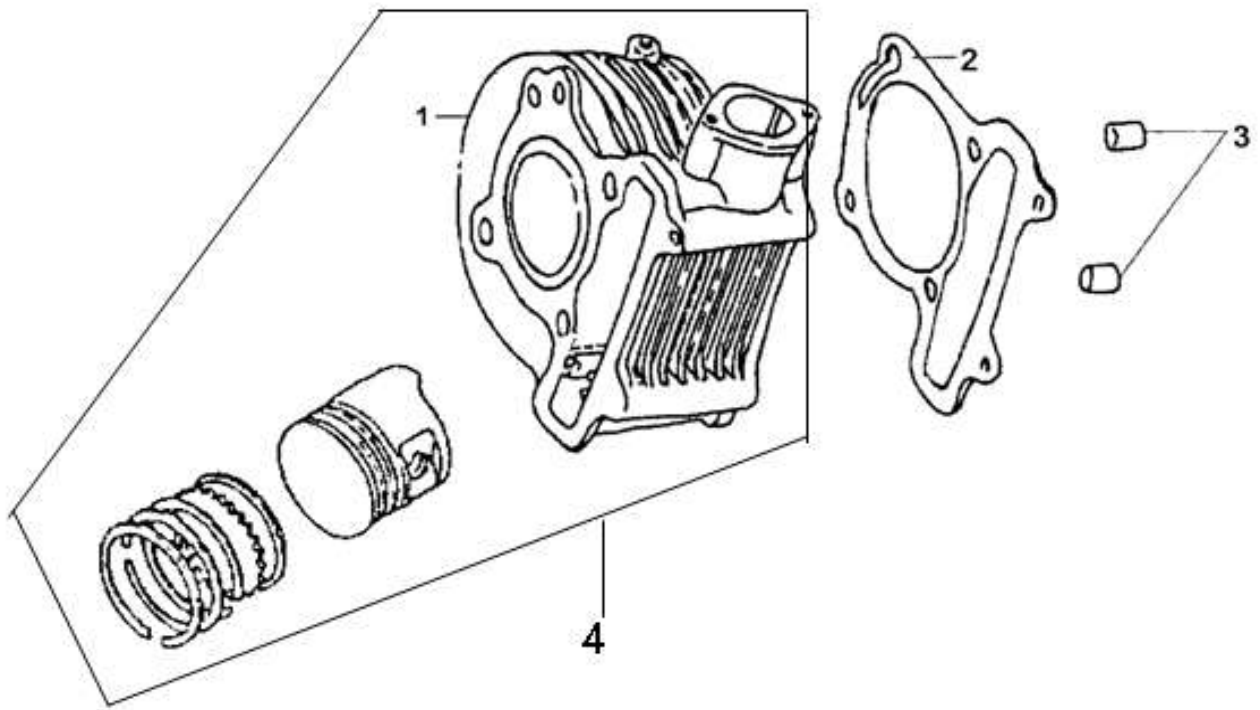
PARTS NUMBER	DESCRIPTION	QTY	EFFECTIVE DATE
1 14610-M92-000	Cam chain guide comp	1	
1 14610-H6T-000	Cam chain guide comp	1	2005/1/7
2 1C14401-M92-000	Cam chain	1	
3 14510-M92-000	Cam chain tensioner	1	
4 1453A-M92-000	Cam chain tensioner pivot	1	
6 14523-M9Q-000	Tensioner lifter gasket	1	
7 14520-M9Q-000	Tensioner lifter assy	1	
7 14520-H6T-000	Tensioner lifter assy	1	2005/4/1
8 90001-M9Q-000	SH. Flange bolt 6x22	2	
9 90005-M9Q-000	Pan screw 6x6	1	
10 91306-M9Q-000	O-Ring 9.5x1.5	1	



only







Pictures reference

PARTS NUMBER	DESCRIPTION	Q T Y	EFFECTIVE DATE
1 12101-H7C-000	Cylinder	1	
2 12191-H6B-000	Cylinder gasket	1	
3 94301-10200	Dowel pin 10x20	2	
4 12100-H7C-000-A	Cylinder assy	1	

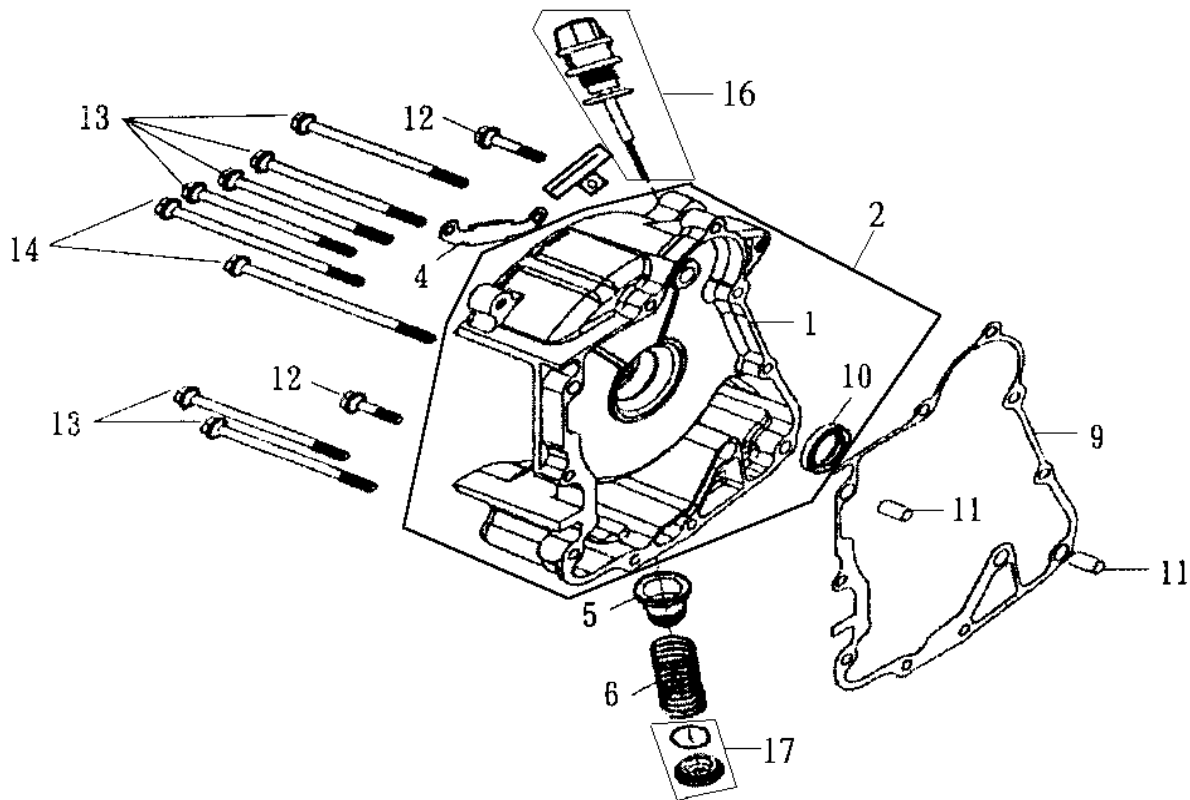
N-8

--

only

--

--



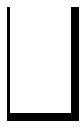
Pictures reference

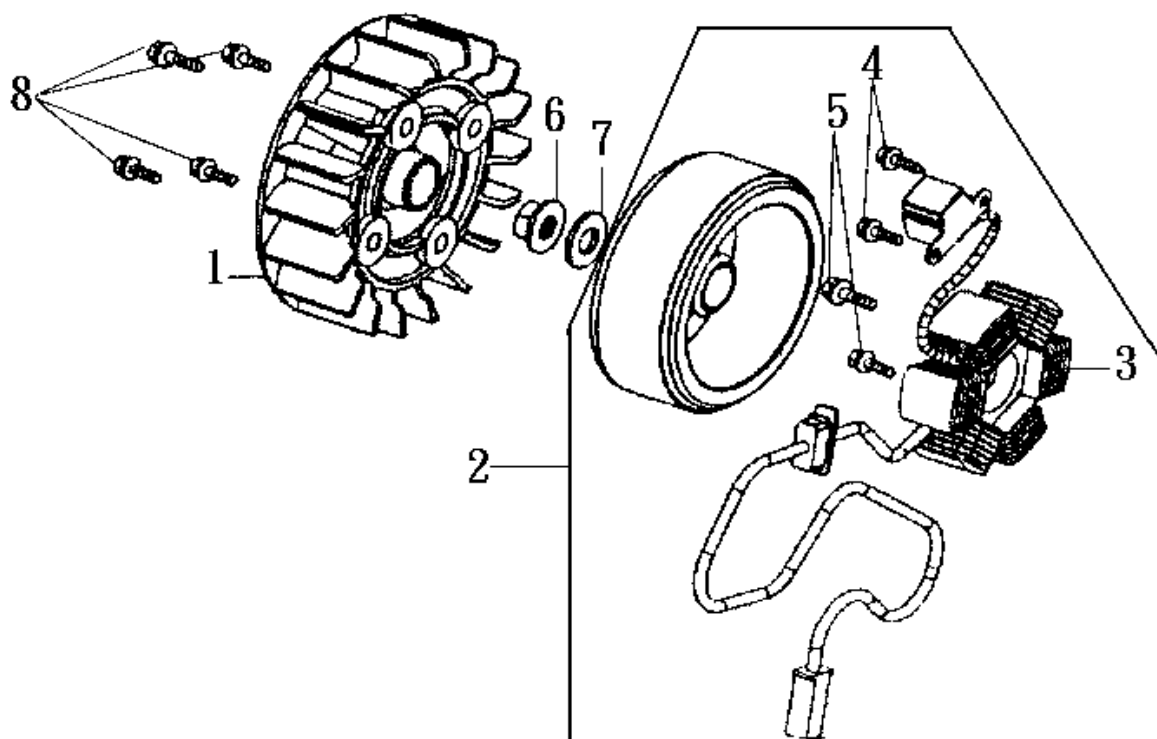
PARTS NUMBER	DESCRIPTION	QTY	EFFECTIVE DATE
1 11331-H6B-000-SN	R. crank case cover	1	
2 1133A-H3A-000-SN	R. crank case cover assy	1	
4 32961-M92-000	ACG. Cord clammer	1	
5 15421-M9Q-000	Oil filter screen	1	
6 15426-M9Q-000	Oil filter screen spring	1	
9 11394-H6B-000	R. cover gasket	1	
10 91201-GY6-903-M2	Oil seal 19.8x30.5	1	
11 94301-08140	Dowel pin 8x14	2	
12 96001-06030-08	SH. Flange bolt 6x30	2	
13 96001-06095-08	SH. Flange bolt 6x95	6	
14 96001-06100-08	SH. Flange bolt 6x100	2	
16 1565A-M92-000	Oil level gauge	1	

17	1236A-V02-000	Tappet adj hole cap assy	1	
----	---------------	--------------------------	---	--

N-8

only





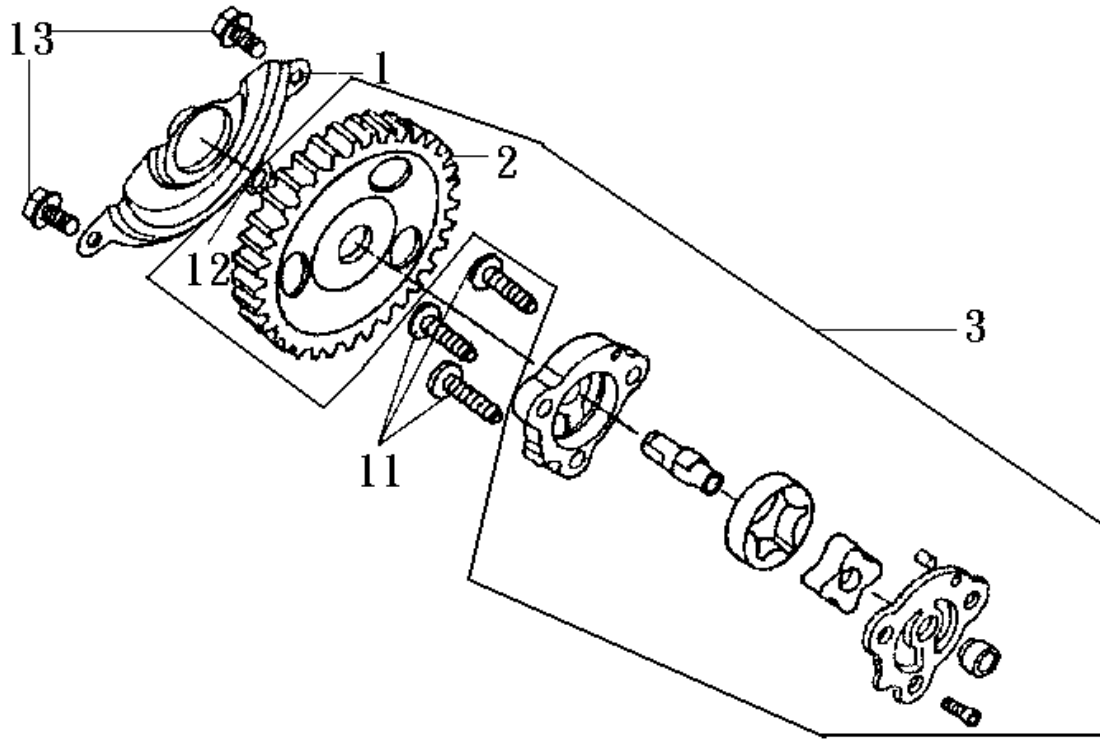
Pictures reference

PARTS NUMBER	DESCRIPTION	QTY	EFFECTIVE DATE
1 19510-M92-000	Cooling fan comp	1	
2 31100-H3A-010	Fly wheel assy	1	
3 31120-H3A-010	Stator comp	1	
4 92101-05012-0A	Hex. Bolt 5x12	2	
5 96001-06018-08	SH. Flange bolt 6x18	2	
6 94050-12000	Flange nut 12mm	1	
7 90440-M9Q-000	Plain washer 12mm	1	
8 95701-06018-08	Flange bolt 6x18	4	

N-8

only



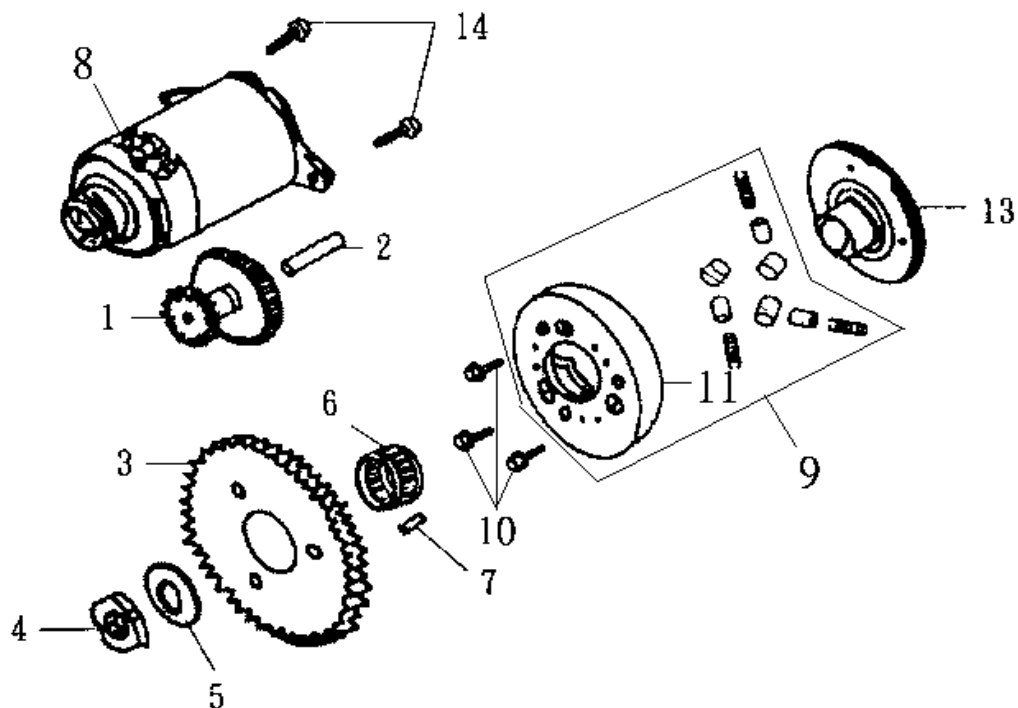


Pictures reference

PARTS NUMBER	DESCRIPTION	Q T Y	EFFECTIVE DATE
1 15711-M92-000	Oil pump separator	1	
2 15133-M92-000	Oil pump driven gear	1	
3 15100-H7A-000	Oil pump assy	1	
11 93600-06025-0A	Flange bolt 6x25	3	
12 90602-N01-000	C clip 8mm	1	
13 96001-06012-08	SH. Flange bolt 6x12	2	

N-8

only



Pictures reference

PARTS NUMBER		DESCRIPTION	QTY	EFFECTIVE DATE
1	28101-M9Q-000	Starter reduction gear	1	
2	28102-M9Q-000	Starter reduction gear shaft	1	
3	28110-M9Q-000	Starting clutch gear comp	1	
4	90201-M9Q-000	Lock nut 22mm	1	
5	90403-M92-000	Thrust washer 22.2x31x1.5	1	
6	91104-M9Q-000	Needle bearing 28x32x17	1	
7	90701-M9Q-000	Dowel pin 5x6	1	
8	31200-M92-100	Starting motor	1	
9	2812A-M92-000	Start clutch outer assy	1	
9	2812A-H6T-000	Start clutch outer assy	1	2005/12/12
10	90002-M9Q-000	N/A Socket bolt 6x10	3	
10	90001-GY6-900	Socket bolt 6x10	3	
11	28120-M9Q-000	Starting clutch outer comp	1	
13	28125-M92-000	Starting clutch flange bolt	1	

14 96001-06016-08

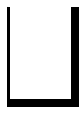
SH. Flange bolt 6x16

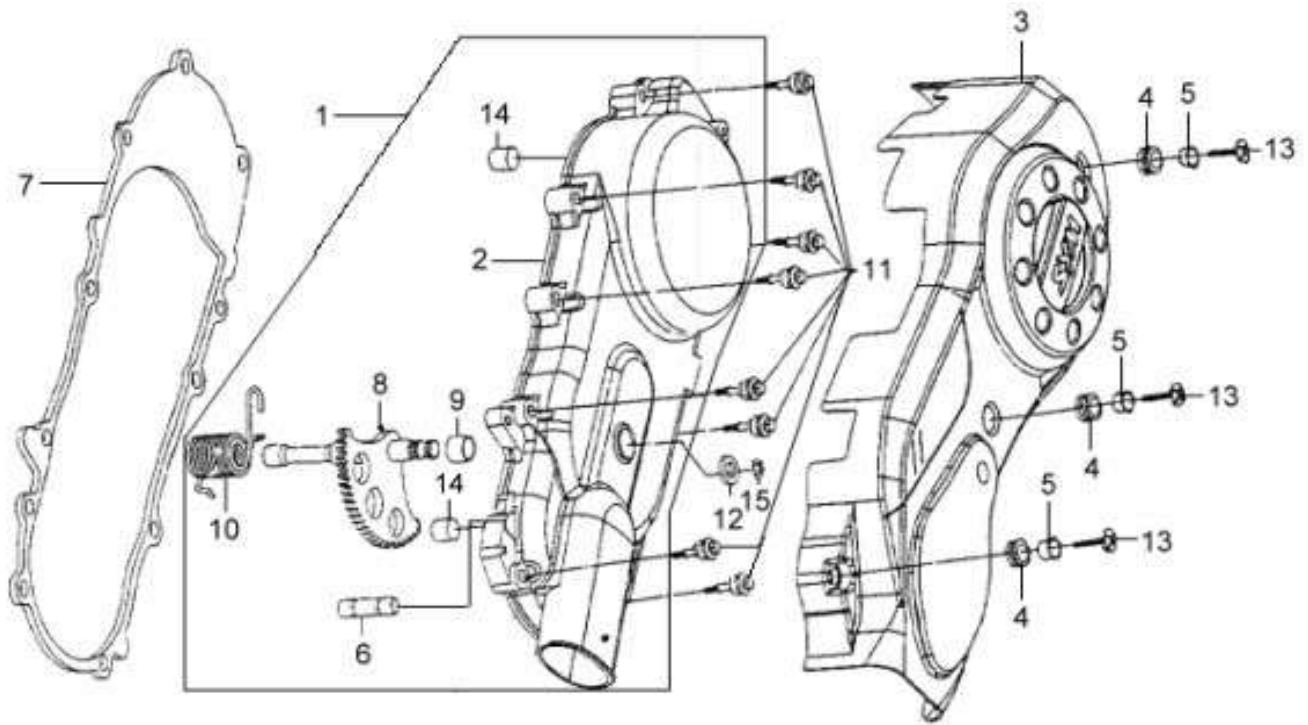
2

N-8

only

Y





Pictures reference

PARTS NUMBER	DESCRIPTION	QTY	EFFECTIVE DATE
1 1134A-H3A-000	L. side cover assy	1	
2 11341-H3A-000 N/A	L. side cover	1	
2 11340-H3A-000-H2	L. side cover	1	
3 1135A-H3A-000-KA	Crank case fender cover assy	1	
4 11354-H3A-000	Mount rubber	3	
5 11356-H3A-000	Collar	3	
6 11360-M92-300	Kick starter driven shaft	1	
7 11395-H3A-000	L. cover gasket	1	
8 28250-H3A-000	Kick starter spindle comp	1	
9 28254-M92-000	Kick spindle bush	1	
10 28281-M92-000	Kick return spring	1	
11 9000B-M9Q-000	Specuial bolt assy	8	
12 90451-M9Q-000	Kick spindle washer	1	
13 93500-06022-0A	Pan screw 6x22	3	
14 90703-M8Q-000	Dowel pin 10x14	2	

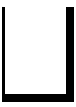


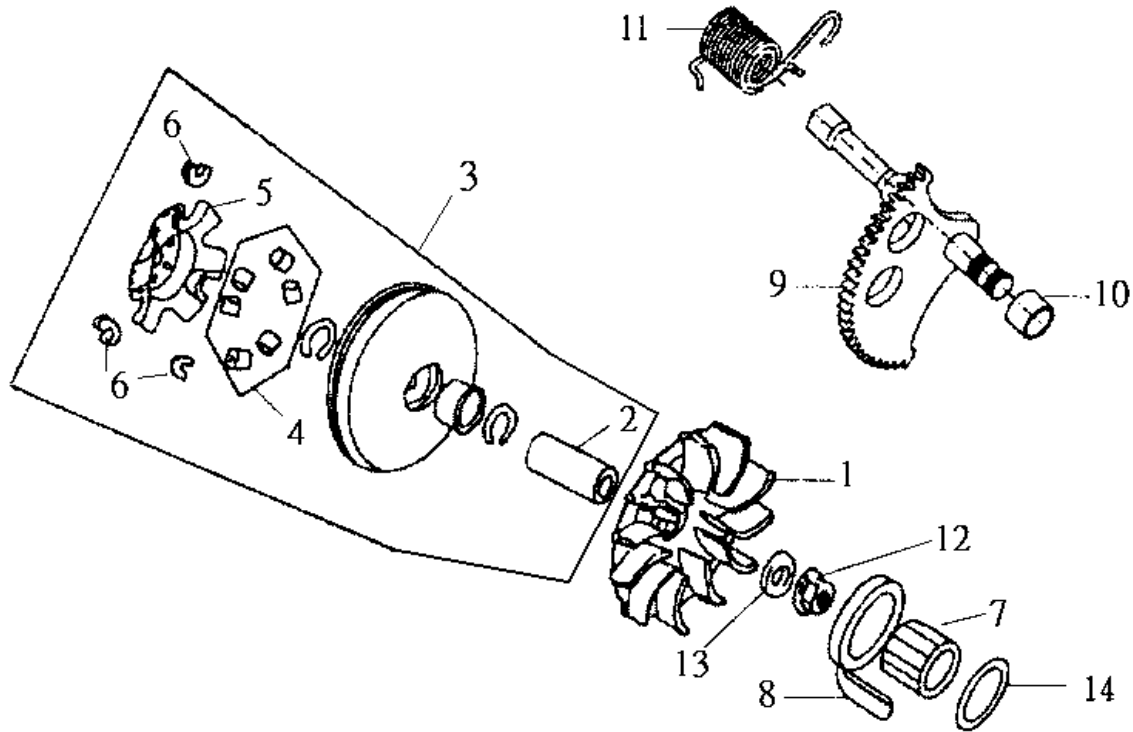


N-8

only

Y





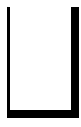
Pictures reference

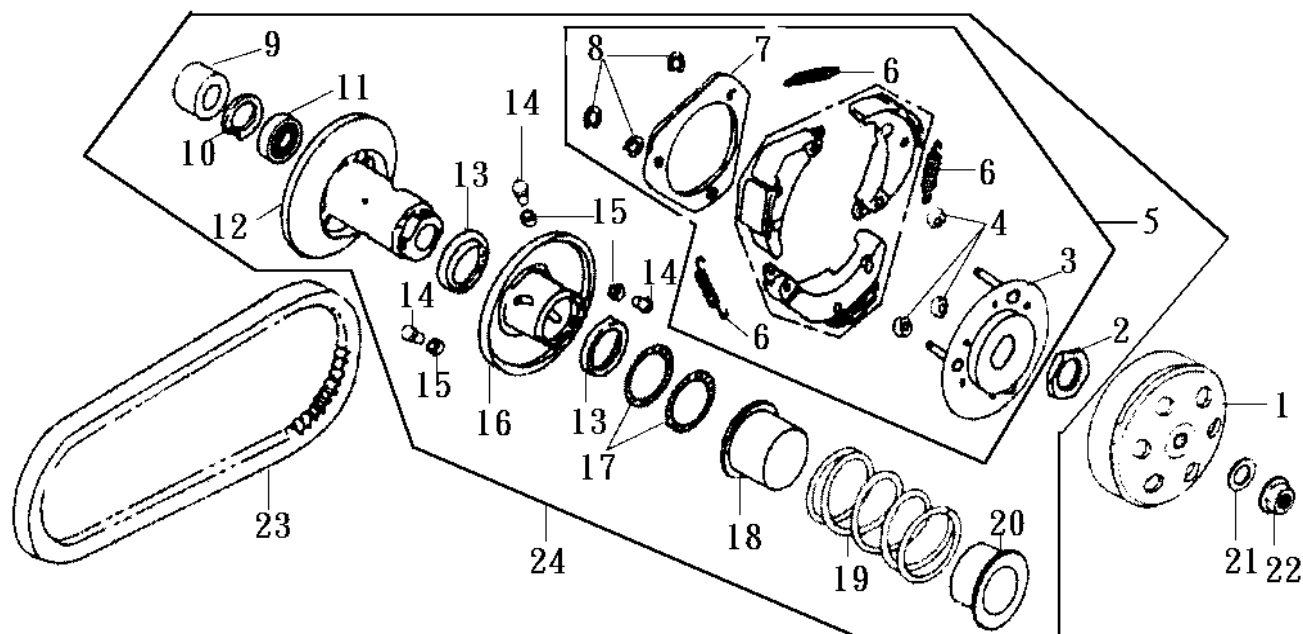
PARTS NUMBER	DESCRIPTION	QTY	EFFECTIVE DATE
1 22102-M92-000	Drive face comp	1	
2 22105-M92-000	Drive face boss	1	
3 2211A-H5B-000	Movable drive face comp	1	
4 22121-M92-000-A	Weight roller set	6	
5 22131-M92-000	Ramp plate	1	
6 22132-M92-000-A	Slide piece set	3	
7 28230-M92-000	Kick driven gear comp	1	
8 28233-M92-000	Kick starter friction spring	1	
9 28250-H3A-000	Kick starter spindle comp	1	
10 28254-M92-000	Kick spindle bush	1	
11 28281-M92-000	Kick return spring	1	
12 90203-M9Q-000	C flange nut 12mm	1	
13 90440-M9Q-000	Plain washer 12mm	1	

14	90452-M9Q-000	Thrust washer 12mm	1	
----	---------------	--------------------	---	--

N-8

only





PARTS NUMBER		DESCRIPTION	QTY	EFFECTIVE DATE
1	22101-M9Q-000	Clutch outer	1	
2	90202-M9Q-000	Special nut 28mm	1	
3	22350-M9Q-000	Drive plate comp	1	
4	22804-M9Q-000	Clutch damper rubber	3	
5	22300-M9A-000	Clutch weight set	3	
6	22401-M9Q-000	Clutch spring	3	
7	22361-M9Q-000	Clutch side plate	1	
8	90605-M9Q-000	N/A Circle clip 7mm	3	
8	90605-166-720	Circle clip 7mm	3	
9	91001-M9Q-300	Needle bearing 20x29x18	1	
9	91001-H6T-300	N/A Needle bearing 20x29x18	1	2005/3/9
9	91001-GY6-900-M1	Needle bearing 20x29x18	1	
10	94520-28000	IN circle 28mm	1	
11	91002-M9Q-300	Radial ball bearing 6902U	1	
11	91002-H6B-300	Radial ball bearing 6902U	1	2005/3/9
12	23210-M92-000	Driven face comp	1	
13	91211-V02-000	N/A Driven face seal 34x41x4	2	
13	91211-M8Q-000	Driven face seal 34x41x4	2	2005/4/12
14	23225-M9Q-000	Roller guide pin	3	
15	23226-M9Q-000	Guide roller	3	
16	23220-H7A-000	Movable driven face comp	1	
17	91384-M9Q-000	O-ring 38.8x1.9	2	
18	23237-H7C-000	Seal collar	1	
19	23233-H7A-000	Driven face spring	1	
20	23238-M9Q-000	Spring collar	1	
21	90440-M9Q-000	Plain washer 12mm	1	
22	90203-M9Q-000	C flange nut 12mm	1	
23	1B01H3A01	Drive belt	1	





Pictures reference only

Y

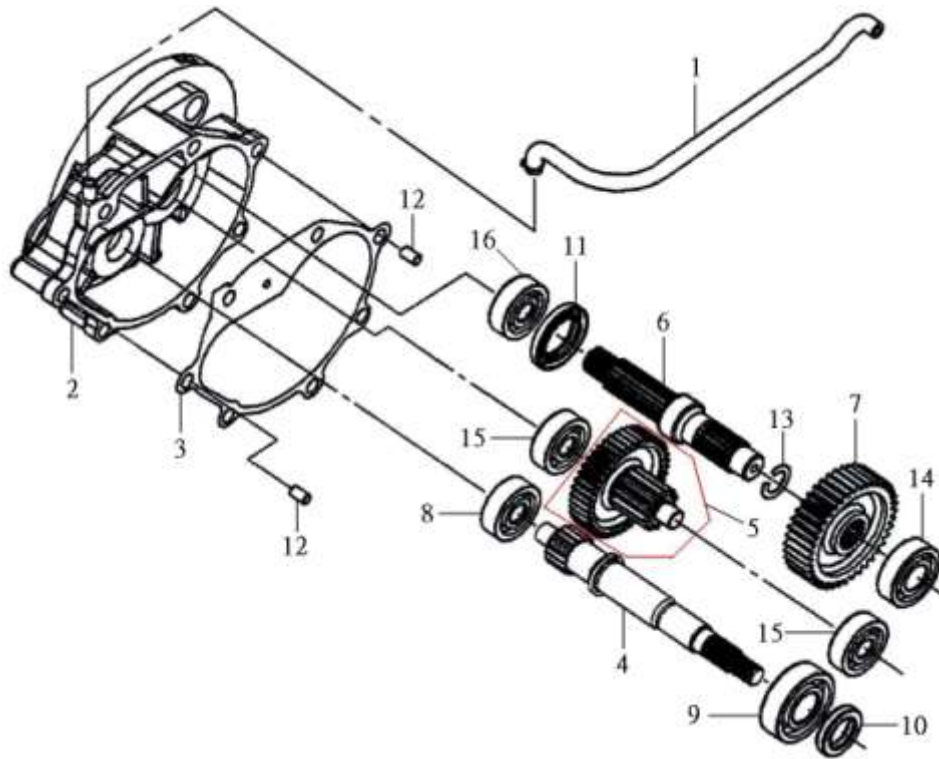
Y

Y

Y

Y





Pictures referenc

PARTS NUMBER		DESCRIPTION	QTY	EFFECTIVE DATE
1	11221-H3A-000	MISSION BREATH TUBE ASS'Y	1	
2	21200-H3A-000	MISSION CASE COMP.	1	
3	21395-H3A-000	MISSION CASE GASKET	1	
4	23411-M92-000	DRIVE SHAFT	1	
5	23420-M92-000	COUNTER SHAFT COMP.	1	
6	23431-H3A-000	FINAL SHAFT	1	
7	23432-M92-000	FINAL GEAR	1	
8	91003-M8Q-000	RADIAL BALL BRG. CSB301	1	
9	91104-KN7-670	RADIAL BALL BRG CSB204	1	
10	91202-M9Q-300	N/A OIL SEAL 20*32*6	1	
10	91202-KJ9-003	OIL SEAL 20*32*6	1	
11	91255-GE0-003	OIL SEAL 27*42*7	1	
12	90703-M8Q-000	DOWEL PIN 10*14	1	
13	94510-20000	CIRCLIP EX. 20	1	
14	96100-62033-10	BALL RADIAL BRG. 6203	1	
15	96100-63013-00	RADIAL BALL BRG 6301	2	

16 96150-60043-10

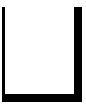
RADIAL BALL BEARING 6004

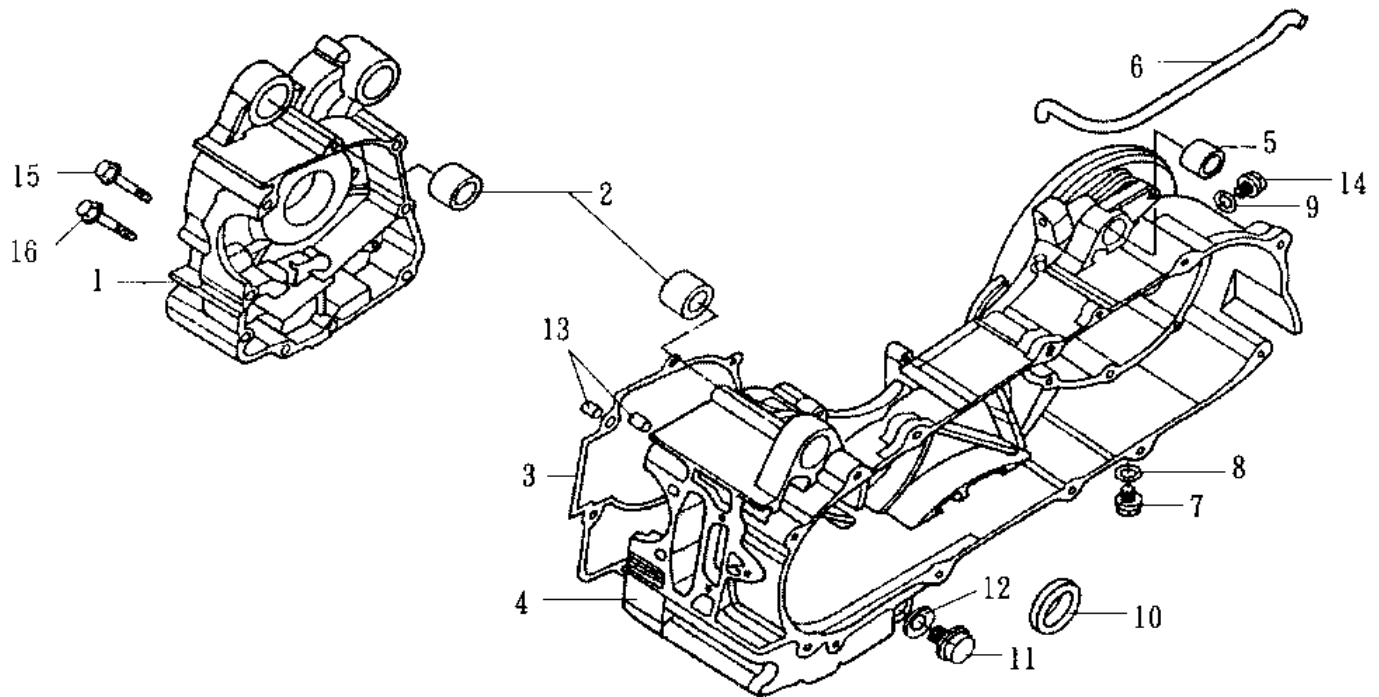
1

W-8

e only

Y





Pictures referenc

PARTS NUMBER	DESCRIPTION	QTY	EFFECTIVE DATE
1 11100-H3A-000-SN	R. crank case comp	1	
2 11102-H6B-300	Engine hanger rubber bush	2	
3 11192-H6B-000	Crank case gasket	1	
4 11200-H3A-000-SN	L. crank case comp	1	
5 11203-M9Q-300	RR. Cush under rubber bush	1	
6 11221-H3A-000	Mission breather tube	1	
7 90103-M9Q-000	N/A Special bolt 8mm	1	
7 90103-KN8-000	Special bolt 8mm	1	
8 90474-M9Q-000	Washer 8mm	1	
9 90481-M9Q-000	Plain washer 10.2mm	1	
9 90481-M9Q-100	N/A R. crank case comp	1	2005/4/12
10 91202-G03-010	Oil seal 25.5x37x6	1	
11 92800-12000	Drain plug bolt 12mm	1	
12 94109-12000	Drain plug washer 12mm	1	
13 94301-08140	Dowel pin 8x14	2	
14 95701-10012-08	Flange bolt 10x12	1	
15 96001-06045-08	SH. Flange bolt 6x45	1	

16 96001-06055-08

SH. Flange bolt 6x55

1

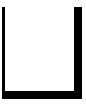


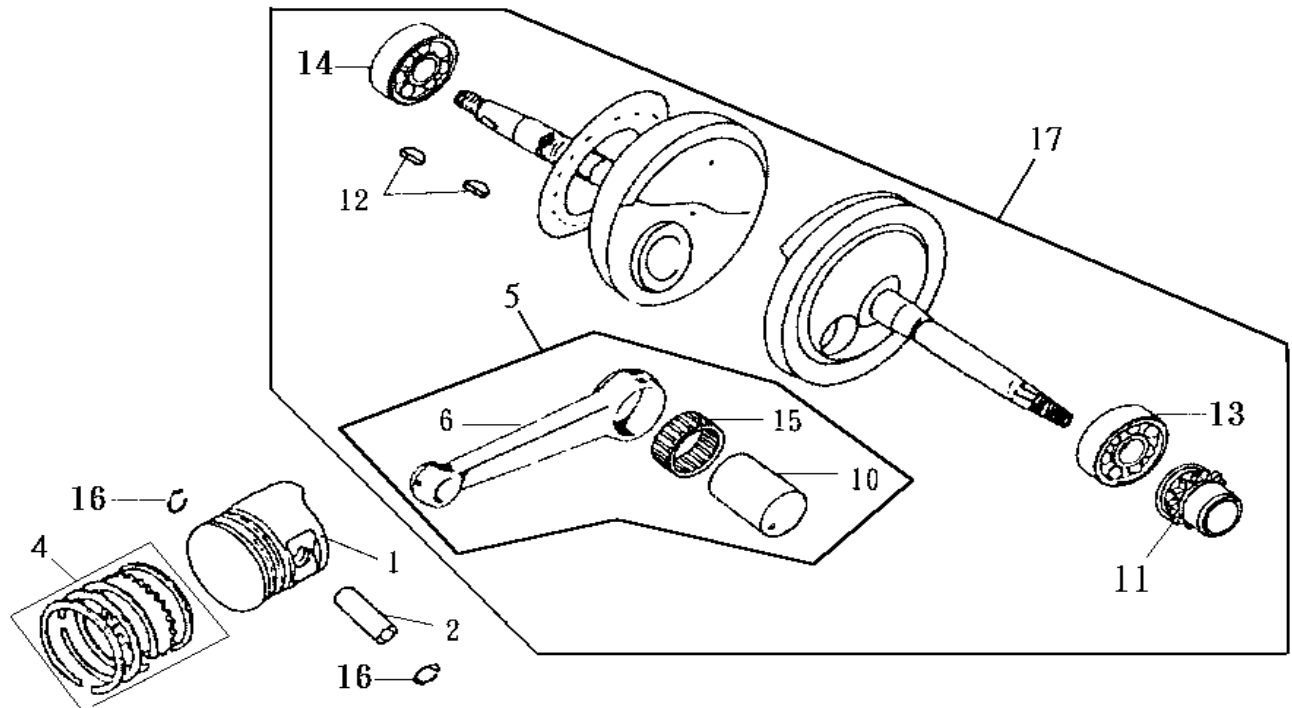
W-8

e only

Y

Y





Pictures reference

PARTS NUMBER	DESCRIPTION	QTY	EFFECTIVE DATE
1 13101-H7C-000	Piston	1	
2 13111-M4Q-000	Piston pin	1	
4 13010-H7C-000	Piston-ring set	1	
5 1320A-H7A-000	Connecting rod set	1	
6 13201-H7A-000	Connecting rod	1	
10 13381-M92-300	Crank pin	1	
11 14311-M92-300	Timing sprocket	2	
12 90702-M9Q-000	Wood ruffkey 25x14x4	1	
13 91001-X06-911-M1	Radial ball bearing 6305		
14 91001-H6B-300	Radial ball bearing 63/22	1	
15 91101-M9Q-000	Connecting rod bearing	2	
16 94601-15000	Piston pin clip 15mm	1	
17 13000-H7C-020	Crank shaft comp	1	

18 91102-M9Q-000

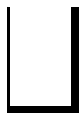
Connecting rod bearing

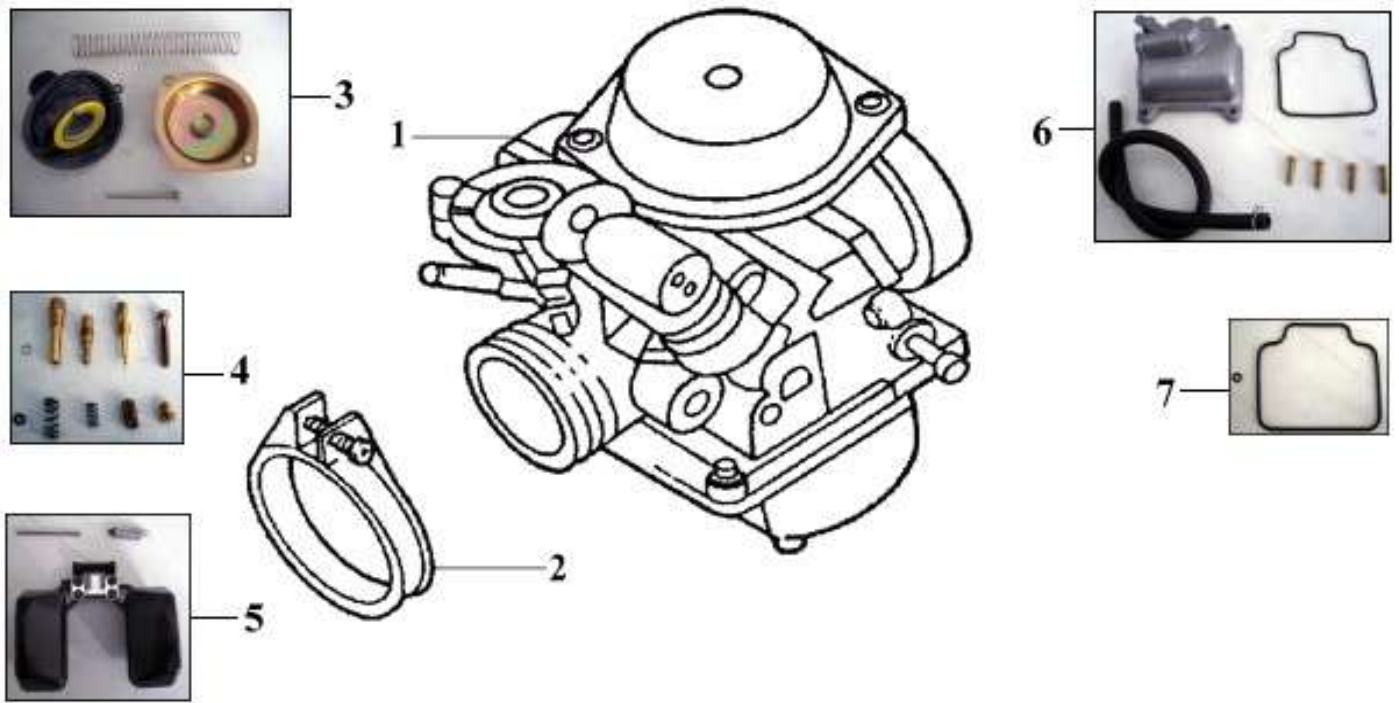
N-8



only







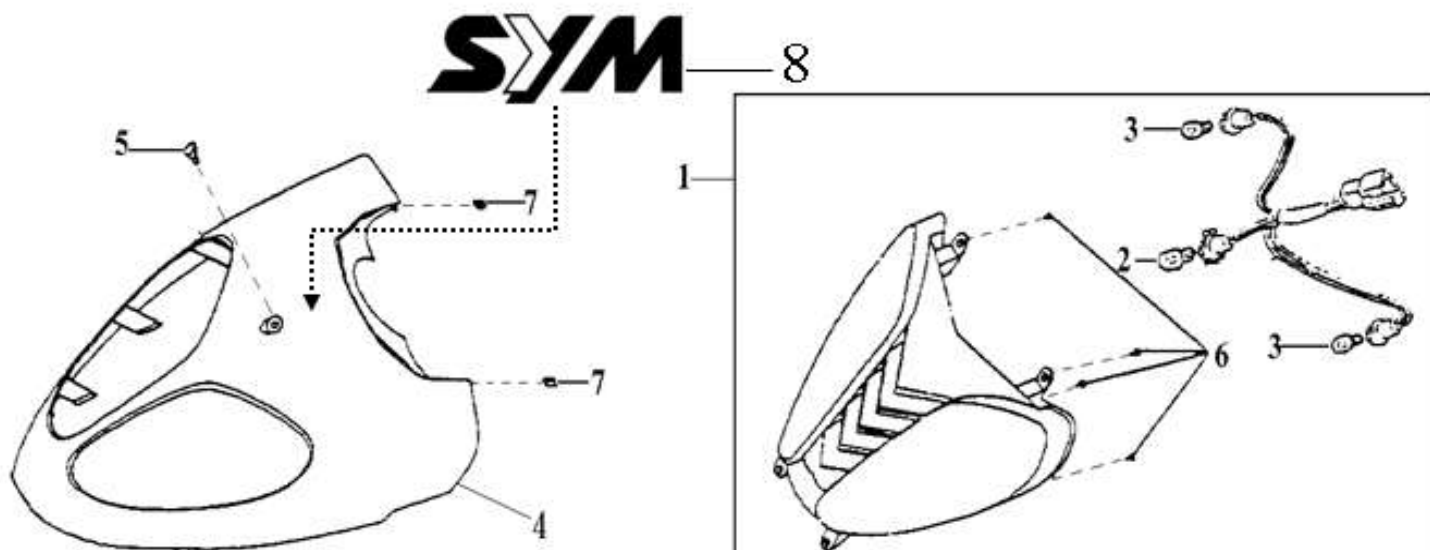
Pictures reference

PARTS NUMBER	DESCRIPTION	QTY	EFFECTIVE DATE
1 16100-H5A-000-01	Carburetor comp	1	
2 17242-M9Q-000	Insulator band	1	
3 H5A-1	CARB.NEEDLE FIX SET	1	
4 H5A-2	CARB. SCREW FIX SET	1	
5 H5A-3	CARB. FLOAT FIX SET	1	
6 H5A-4	CARB. F.C.B FIX SET	1	
7 H5A-5	CARB. GASKET FIX SET	1	

N-8

only





Pictures reference

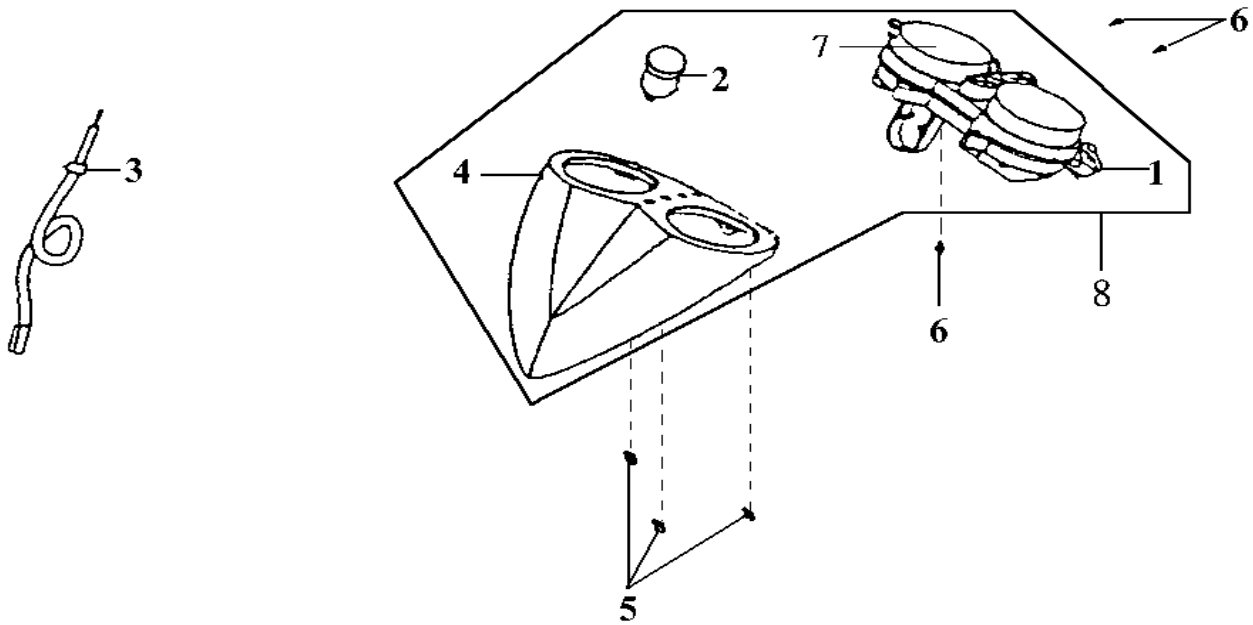
PARTS NUMBER	DESCRIPTION	QTY	EFFECTIVE DATE
1 33100-H3A-000	FR. Light assy	1	
2 34901-M91-010	Head light bulb 12V35/35W	1	
3 34908-H3A-000	Wedge base bulb 12V5W	2	
4 64301-H3A-000-CO	FR. Cover comp	1	
4 64301-H3A-000-SQ	FR. Cover comp	1	
4 64301-H3A-000-KV	FR. Cover comp	1	
5 90110-G22-000	Special screw 6x14	1	
6 93903-35320	Tapping screw 5x16	4	
7 90308-SB2-013	Sus nut 5mm	2	
8 87121-H6T-000	SYM stripe	1	



N-8

only





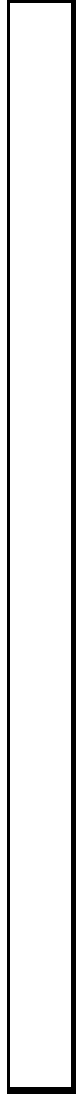
Pictures reference

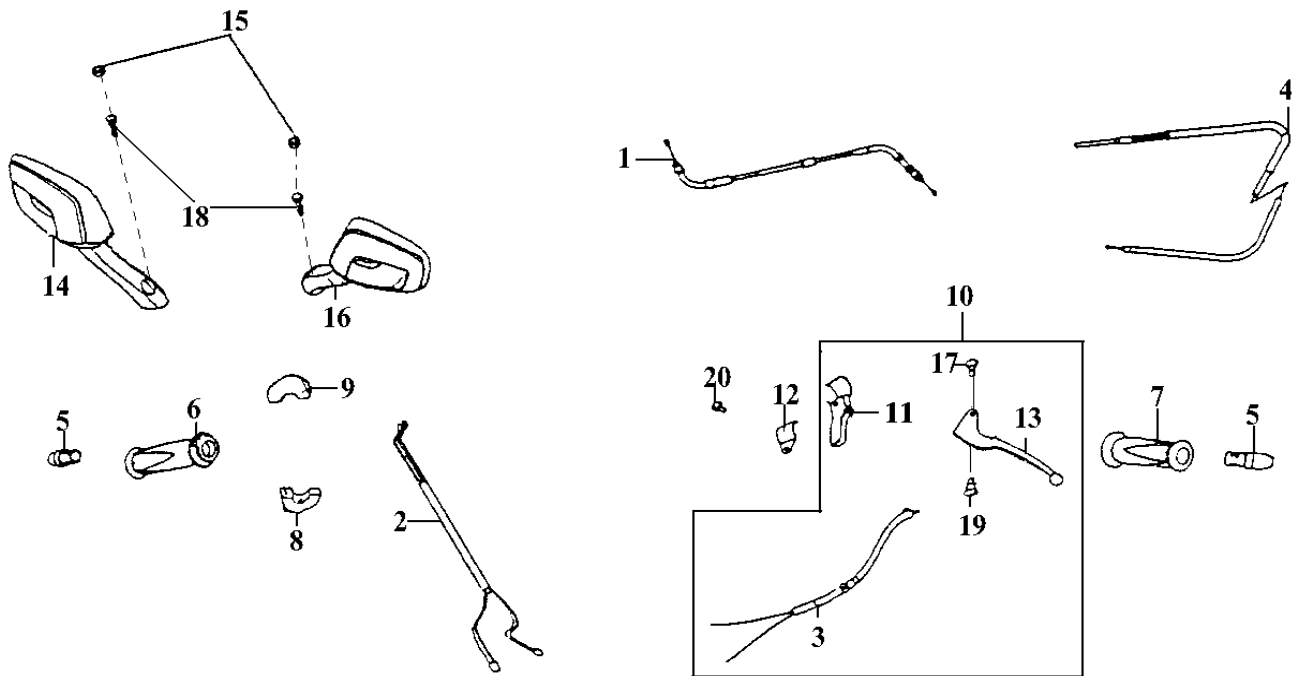
PARTS NUMBER	DESCRIPTION	QTY	EFFECTIVE DATE
1 37200-H5M-000	Speedometer	1	
2 38301-A31-000	Winker relay comp	1	
3 44830-H3A-600	Speedometer cable comp	1	
4 53210-H3A-600	Meter cover	1	
5 90302-M9Q-800	Clip nut 4mm	3	
6 93903-34320	Tapping screw 4x12	3	
7 37211-H3A-000	Meter lens	1	
8 3720A-H5M-000	Speedometer assy	1	

N-8



only





Pictures reference

PARTS NUMBER		DESCRIPTION	QTY	EFFECTIVE DATE
1	17910-H3A-000	Throttle cable comp	1	
2	32106-KBN-900	FR. Stop SW. cord comp	1	
3	35350-M70-000	RR. Stop SW. assy	1	
4	43450-H3A-000	RR. Brake cable comp	1	
5	53105-H3A-000	STRG. Handle end	2	
6	53140-H3A-000	THROT. Grip comp	1	
7	53166-H3A-000	L. handle grip	1	
8	53167-H09-900	UND. Throt. Housing	1	
9	53168-H09-000	UP. Throt. Housing	1	
10	5317B-H3A-000	L. STRG. Handle lever assy	1	
11	53172-H3A-000	L. handle lever braket	1	
12	53173-GS7-003	Handle brkt band	1	
13	53178-M92-010	L. handle lever	1	
14	88110-H3A-000	R. back mirror assy	1	
14.1	88110-2065806RBA	Mounting Rubber Right		
15	88112-M9Q-000	Socket bolt cap 8mm	2	
16	88120-H3A-000	L. back mirror assy	1	
16.1	88120-2065806LBA	Mounting Rubber Left		
17	90115-M9Q-000	Handle lever pivot screw	1	
18	90185-T31-000	Socket bolt 8x38	2	
19	94001-05000-0S	HEX nut 5mm	1	

20 96001-06020-07

Flange bolt (SH) 6x20

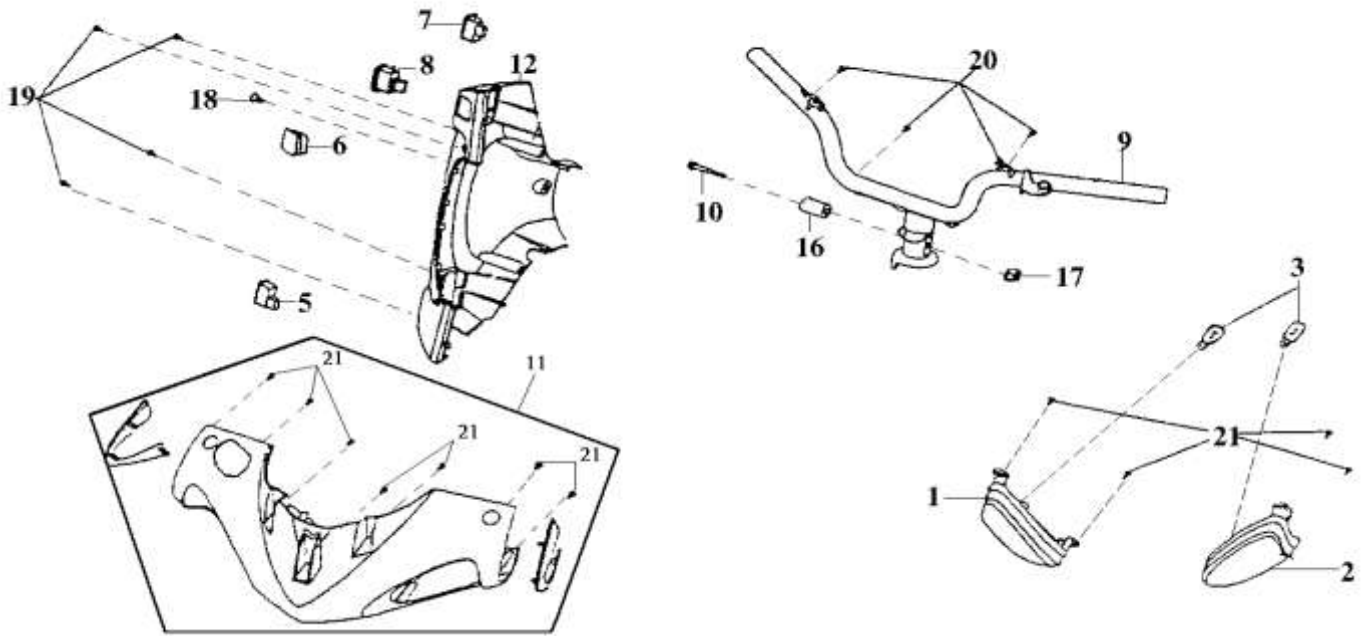
1



N-8

only





Pictures reference

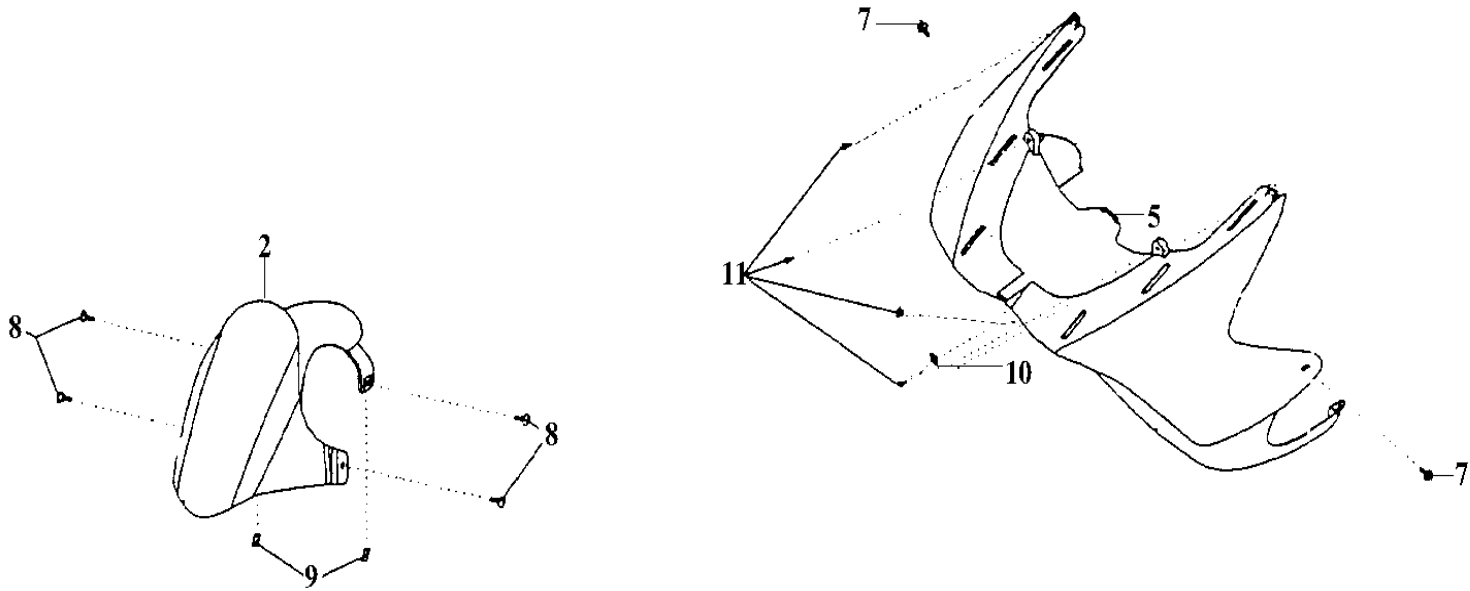
PARTS NUMBER	DESCRIPTION	QTY	EFFECTIVE DATE
1 33400-H3A-600	R. winker assy	1	
2 33450-H3A-600	L. winker assy	1	
3 34905-B06-000-E	Winker bulb 12V10W	4	
3 34905-H3A-000	Winker bulb 12V10W	4	
4 36150-H5M-000	ENG. STOP SW. UNIT	1	
5 35160-M9Q-000	Start SW. unit	1	
6 35170-M9Q-000	Dimmer SW. unit	1	
7 35180-M9Q-000	Horn SW. unit	1	
8 35200-M9Q-000	Winker SW. unit	1	
9 53100-H3A-010	STRG. Handle comp	1	
10 53125-M9Q-000	Handle set collar	1	
11 5320C-H3A-010-CO	FR. Handle cover assy	1	
11 5320C-H3A-010-KV	FR. Handle cover assy	1	
11 5320C-H3A-010-SQ	FR. Handle cover assy	1	
12 53206-H3A-010-CO	RR. Handle cover	1	
12 53206-H3A-010-KV	RR. Handle cover	1	
12 53206-H3A-010-SQ	RR. Handle cover	1	
16 90106-M9Q-000	Flange bolt 10x50	1	
17 90304-M9Q-000	Flange U nut 10mm	1	
18 91508-A26-000	Pan screw 5x7	1	
19 93903-34480	Tapping screw 4x16	4	
20 93903-35220	Tapping screw 5x12	4	



N-8

only





Pictures reference

PARTS NUMBER	DESCRIPTION	QTY	EFFECTIVE DATE
2 61100-H3A-000-CO	FR. Fender assy	1	
2 61100-H3A-000-SQ	FR. Fender assy	1	
2 61100-H3A-000-RT	FR. Fender assy	1	
5 61120-H3A-000-CO	FR. Under sopiler	1	
5 61120-H3A-000-SQ	FR. Under sopiler	1	
5 61120-H3A-000-RT	FR. Under sopiler	1	
7 90117-T15-000	Washer screw 5x14	2	
8 90164-MR4-900	Special screw 6mm	4	
9 90305-M9Q-000	Clip nut 6mm	2	
10 90308-SB2-013	SUS. Nut 5mm	1	

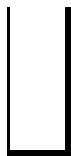
11	93903-35320	Tapping screw 5x16	4
----	-------------	--------------------	---

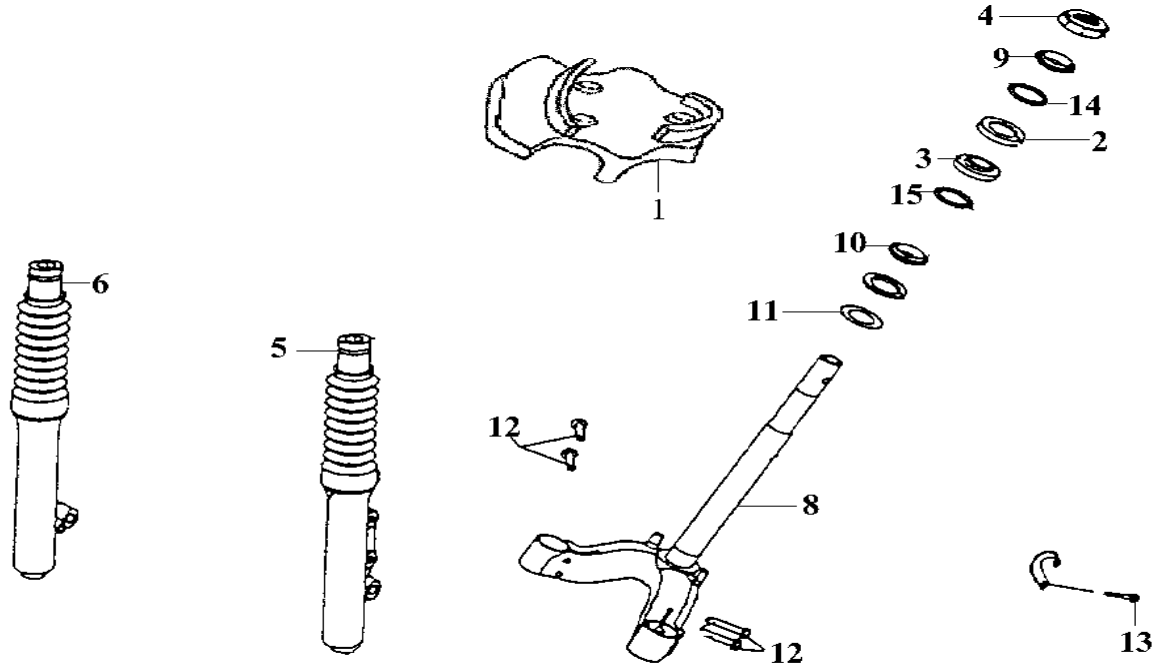


V-8

7

only





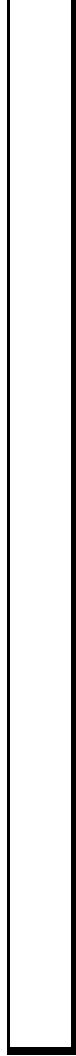
Pictures reference

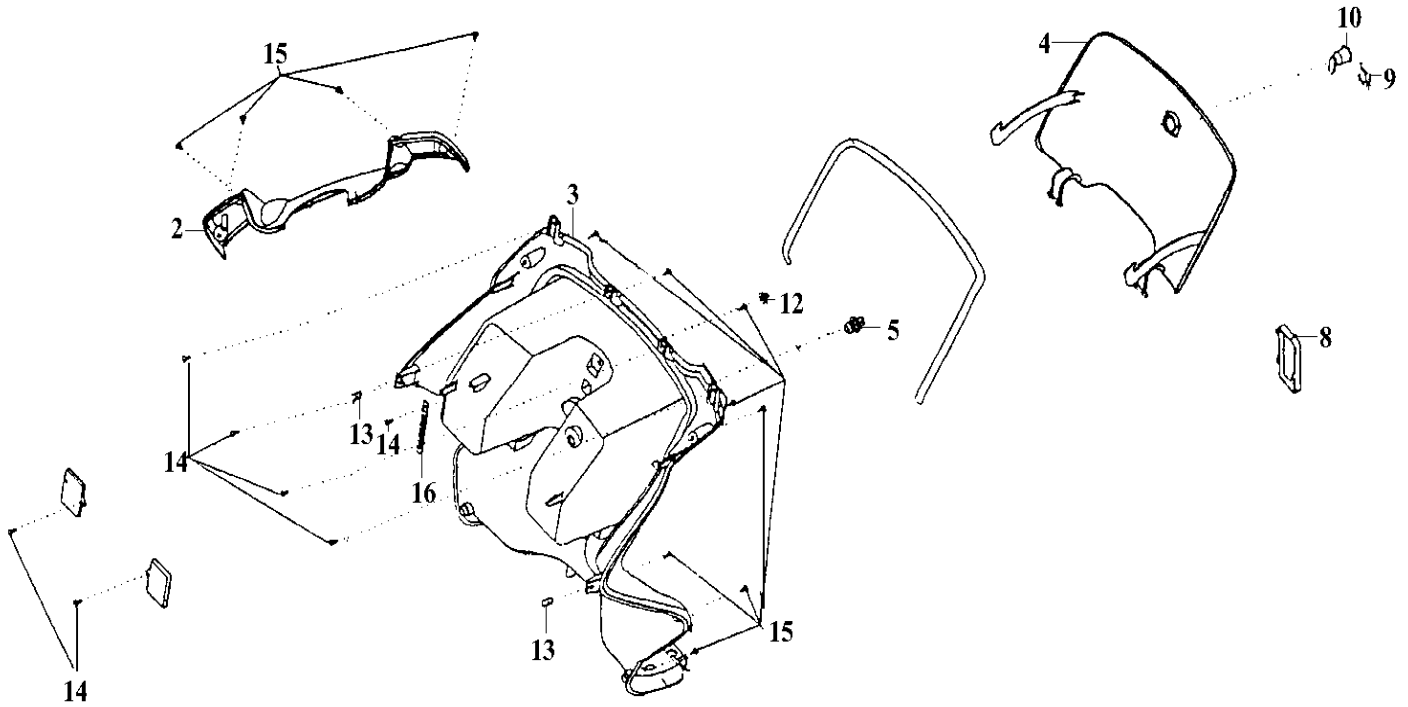
PARTS NUMBER	DESCRIPTION	QTY	EFFECTIVE DATE
1 61110-H3A-000	FR. Inner fender	1	
2 50301-M9Q-000	Race STRG. Up ball	1	
3 50302-M9Q-000	Race STRG. Bot ball	1	
4 50306-M9Q-000	STRG. Stem lock nut	1	
5 5140A-H3A-600	R. FR. Cushion	1	
6 5150A-H3A-600	L. FR. Cushion	1	
8 53200-H3A-000	STRG. Stem comp	1	
9 53211-M9Q-000	STRG. Top cone race	1	
10 53212-M9Q-000	STRG. Botton cone race	1	
11 53215-M9Q-000	Dust seal washer	1	
12 95701-08050-08	Flange bolt 8x50	4	
13 95801-06012-08	Flange bolt 6x12	1	
14 96211-05000	Steel ball #5	26	
15 96211-08000	Steel ball #8	19	

N-8



only





Pictures reference

PARTS NUMBER		DESCRIPTION	QTY	EFFECTIVE DATE
2	64302-H3A-000-CO	FR. Top cvoer	1	
2	64302-H3A-000-SQ	FR. Top cvoer	1	
2	64302-H3A-000-KV	FR. Top cvoer	1	
3	64304-T1E-000	FR. Inner box	1	
4	64308-H3A-000-GK	FR. Inner box lid	1	
5	64309-H6A-000	Adjust hinge cover	1	
8	64318-H6B-000-GK	Frame number lid	1	
8	64318-H6B-010-GK	Frame number lid	1	
9	75581-M9Q-000	N/A Lock key set spring	1	
9	75581-A16-000	Lock key set spring	1	
10	77233-M9Q-900	Inner box lock assy	1	
12	90301-M9Q-900	Open stay nut 6mm	1	
13	90677-GR1-003	Clip nut 5mm	2	
14	93903-34320	Tapping screw 4x12	7	
15	93903-35380	Tapping screw 5x16	11	

16 94591-21000

Clip 2x100

1

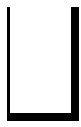
N-8



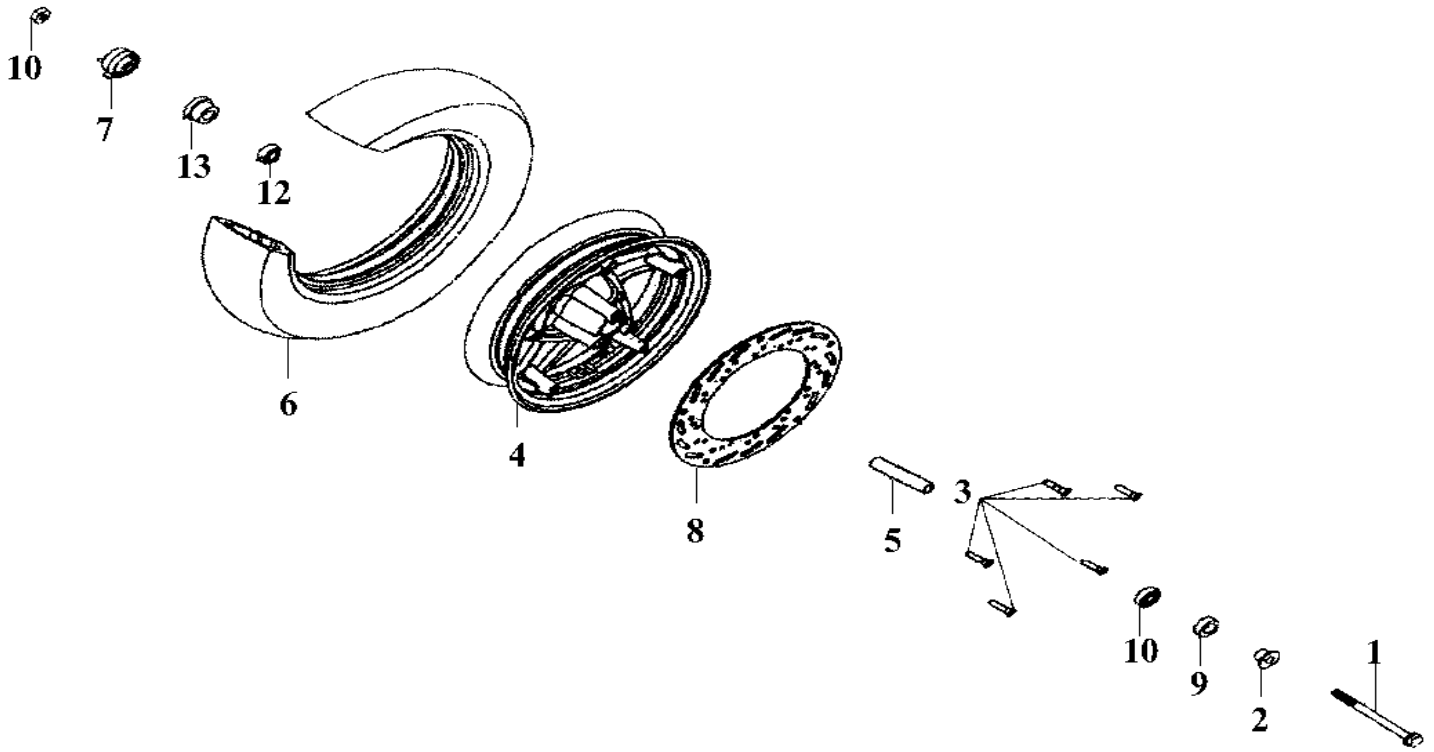
only



Y





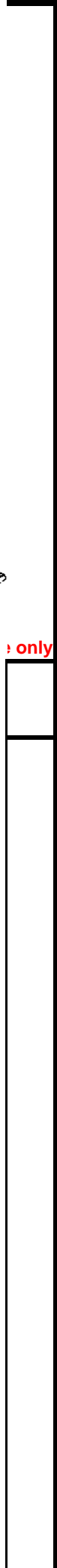


Pictures reference

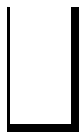
PARTS NUMBER	DESCRIPTION	QTY	EFFECTIVE DATE
1 44301-G22-000	FR. Wheel axle	1	
2 44311-GW0-910	FR. Wheel side collar	1	
3 90105-KR3-000	FR. Disk bolt 8x24	5	
4 44601-H9A-000-SH	FR. Cast wheel comp	1	
5 44620-H3A-000	FR. Axle disk collar	1	
6 1T011009012-4PR	Tire set 100-90-12	1	
7 44800-G22-000	SPDMT. Gear box assy	1	
8 45121-H3A-000	FR. Brake disk	1	
9 90754-M9Q-000-M2	Dust seal	1	
10 90306-M9Q-000	Flange U nut 12mm	1	
12 90912-M9Q-000-M1	Radial ball 6201 U	2	

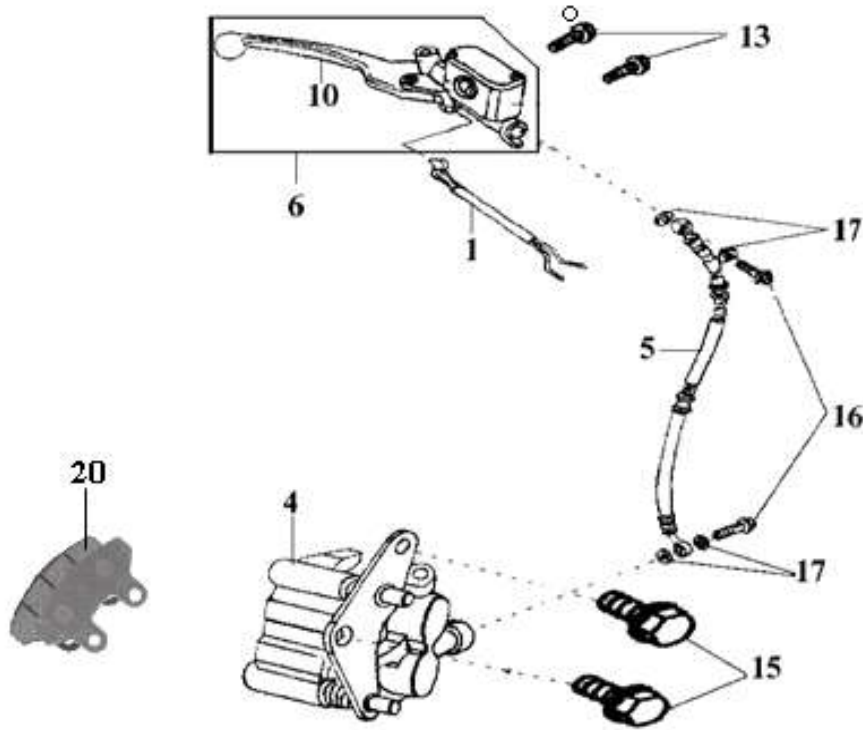
13 91258-KM1-004	SPDMT. Gear seal	1	
------------------	------------------	---	--

N-8



e only





Pictures reference

PARTS NUMBER	DESCRIPTION	QTY	EFFECTIVE DATE
1 32106-KBN-900	SUB. Harness	1	
2 35340-M9Q-900	FRT BRAKE L-SWITCH	1	
4 45100-H3A-600	FR. L. caliper ass'y	1	
5 45126-H3C-000	FR. Brake hose comp	1	
6 45500-H3A-000	FR. Master cylinder ass'y	1	
10 53175-H09-020	R. handle lever	1	
13 90110-T53-000	Flange bolt SH 6x12	2	
15 90131-GW0-910	Flange bolt 8x35	2	
16 90145-M9Q-000	Oil bolt 10x22	2	
17 90545-M9Q-000	Oil washer bolt	4	

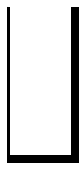
20	45105-H3A-900-A	Brake pad set	1	
----	-----------------	---------------	---	--

N-8

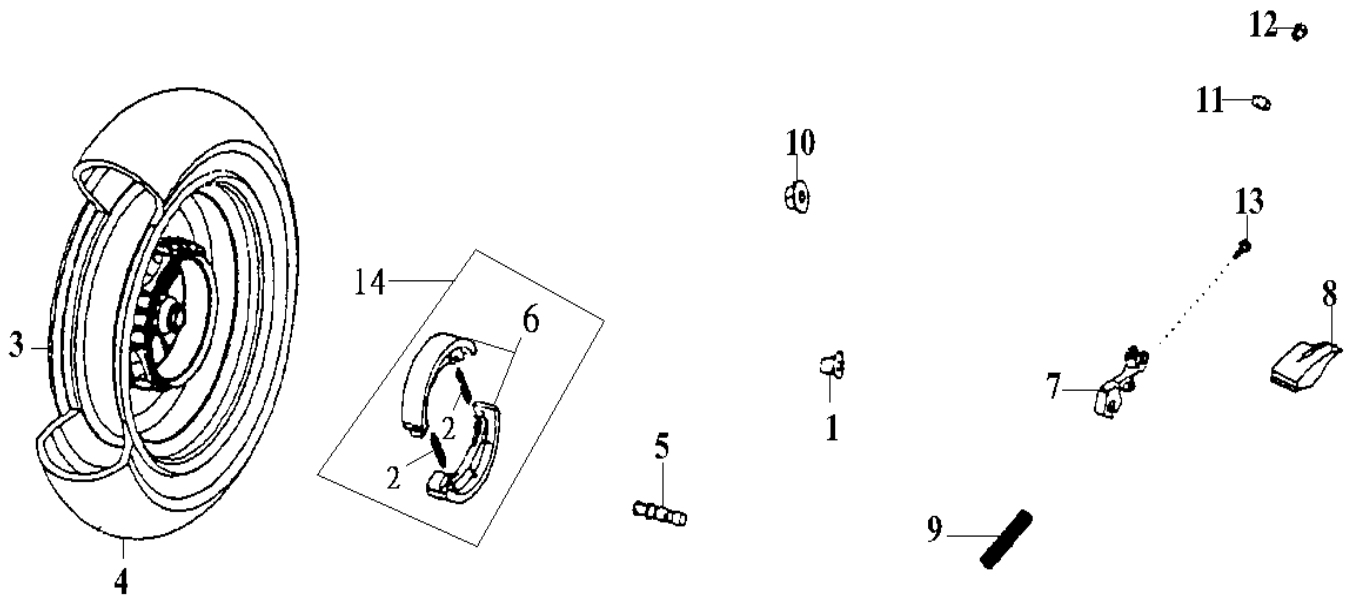


only







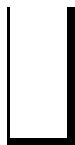


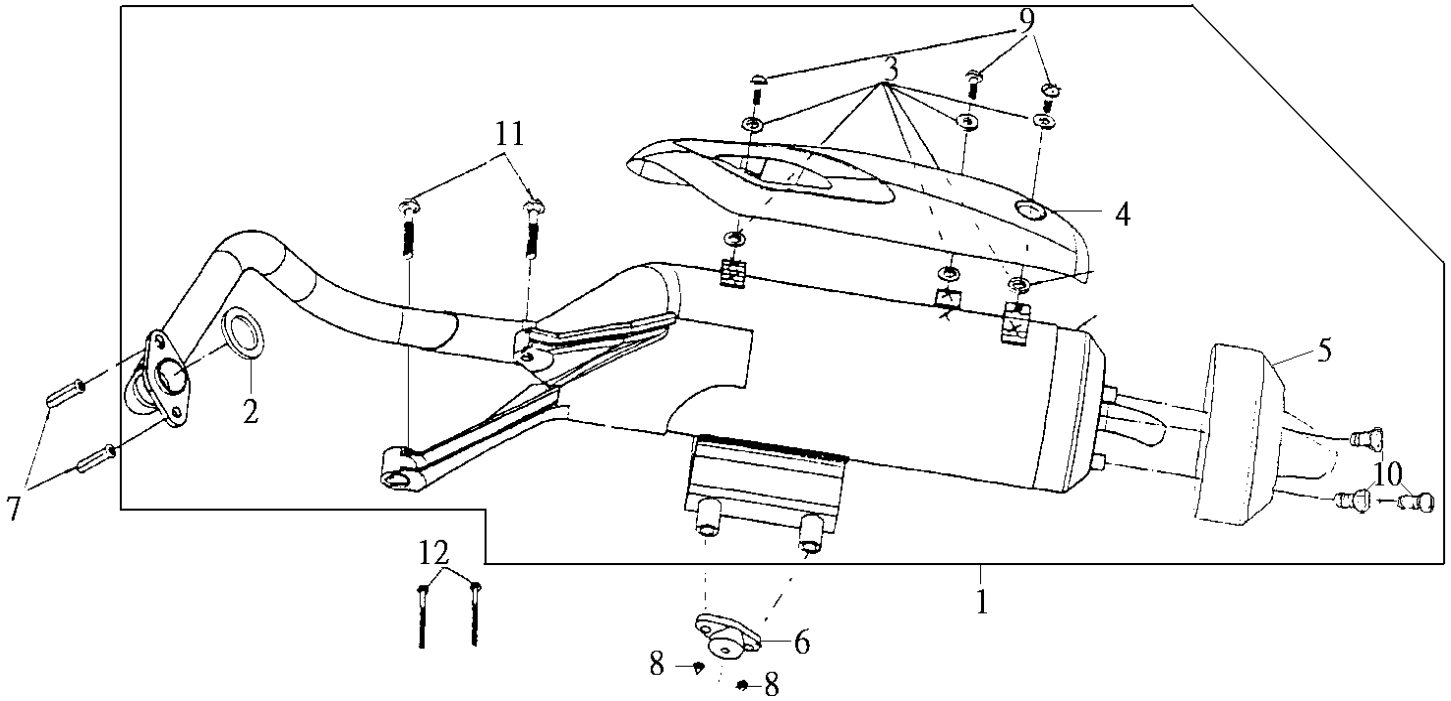
Pictures reference

PARTS NUMBER	DESCRIPTION	QTY	EFFECTIVE DATE
1 42311-H3A-000	RR. Axle side collar	1	
2 45133-M9Q-000	Brake shoe spring	2	
3 42601-H3A-000-SH	RR. Cast wheel comp	1	
3 42601-H3A-900-SH	RR. Cast wheel comp	1	2005/3/30
4 1T011307012-4PR-DM	Tubless tire set 130-70-12	1	
5 43141-H6B-010	RR. Brake cam	1	
7 43410-H3A-000	RR. Brake arm comp	1	
8 43415-H3A-000	RR. Brake arm cover	1	
9 43472-H3A-000	RR. Brake roturm spring	1	
10 90305-GW0-901-M1	Flange U unt 14mm	1	
11 95015-32001	Brake arm joint B	1	
12 95015-42000	Adjust nut B	1	
13 95701-06032-00	Flange bolt 6x32	1	

14	4312A-H6B-900	RR. Brake shoe assy	1	
----	---------------	---------------------	---	--

only





Pictures reference

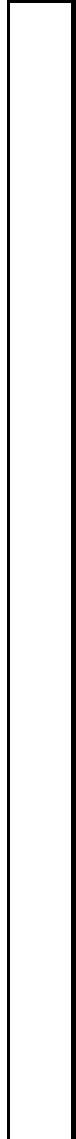
PARTS NUMBER		DESCRIPTION	QTY	EFFECTIVE DATE
1	18000-H5M-000	EXH. Muffler assy	1	
2	18291-M9Q-000	EXH. Pipe gasket	1	
3	18293-H12-000	Protector packing	6	
4	18318-H3A-000	Muffler protector	1	
5	18328-H3A-000	RR. Muffler protector	1	
6	18410-H3A-000	Muffler RR. Mount assy	1	
7	90301-M92-000	Muffler joint nut 7mm	2	
8	90443-107-000	Cap nut 8mm	2	
9	93892-06016-08	Washer screw 6x16	3	
10	93892-05012-08	Washer screw 5x12	3	
11	95801-08038-07	Flange bolt 8x38	2	

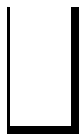
12	95801-08120-07	Flange bolt 8x120	2	
----	----------------	-------------------	---	--

N-8

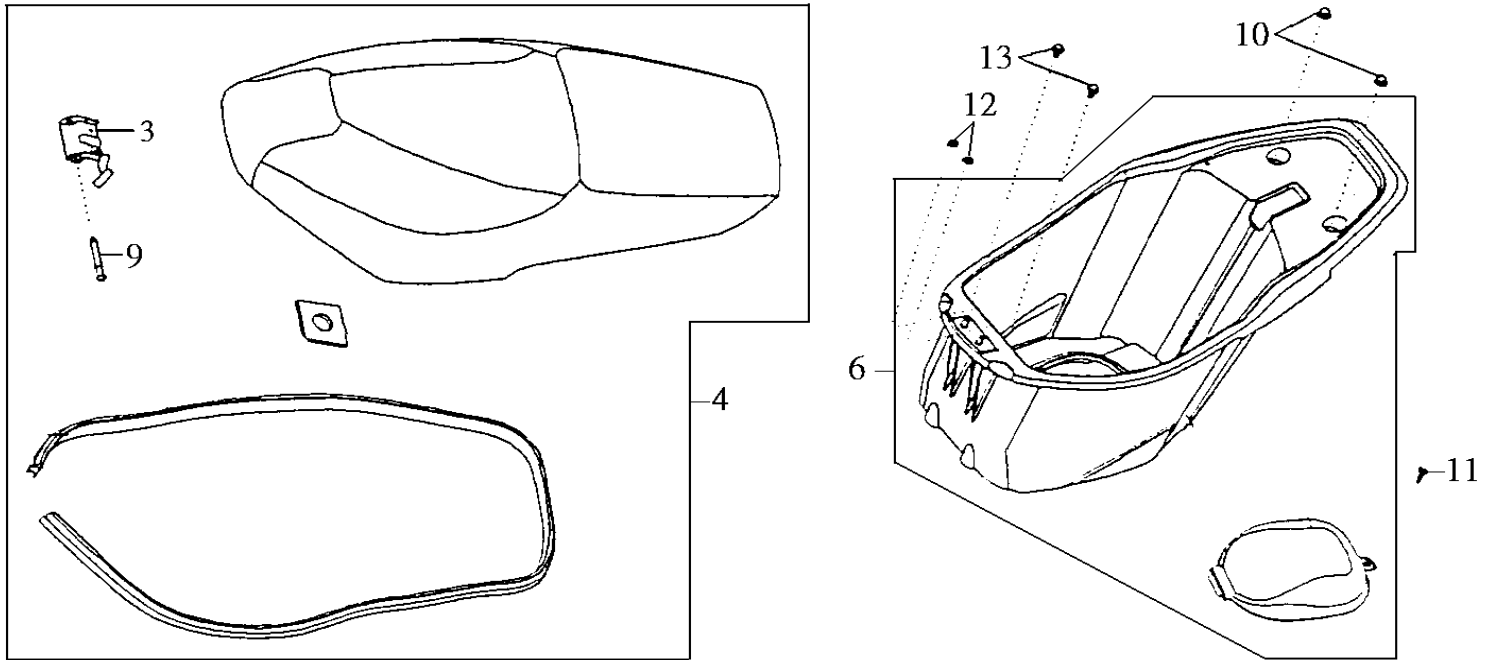


only









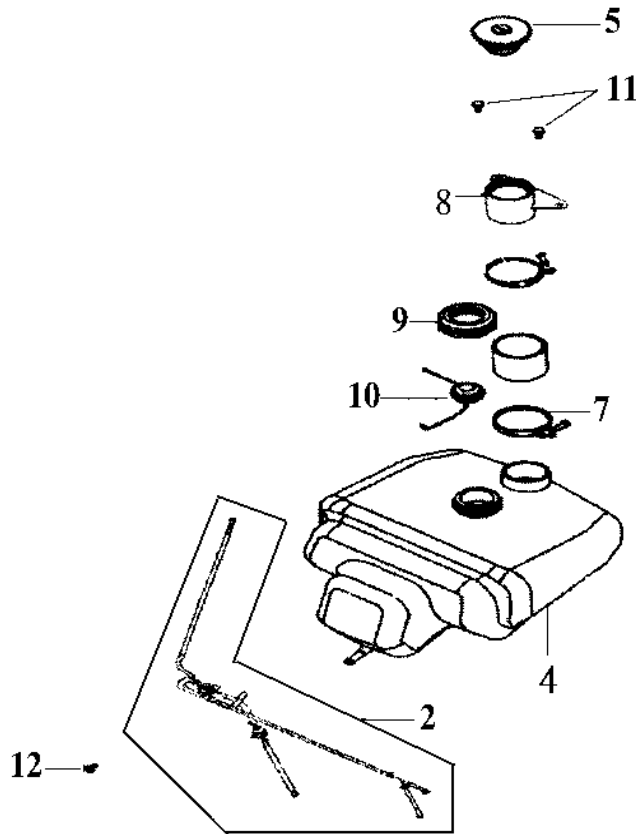
Pictures reference

PARTS NUMBER	DESCRIPTION	QTY	EFFECTIVE DATE
3 77100-P6A-000	Seat hinge comp	1	
4 7720A-H3A-010-BK	Double seat assy	1	
6 8125A-H5A-900-KA	Luggage box assy	1	
9 90105-M9Q-000	Seat hinge pin10x184	1	
10 90301-M9Q-900	Open stay nut 6mm	2	
11 90381-GZ5-000	Special screw 6x17	1	
12 94050-06000	Flange nut 6mm	2	
13 95801-06016-08	Flange bolt 6x16	2	

N-8

11

only



Pictures reference

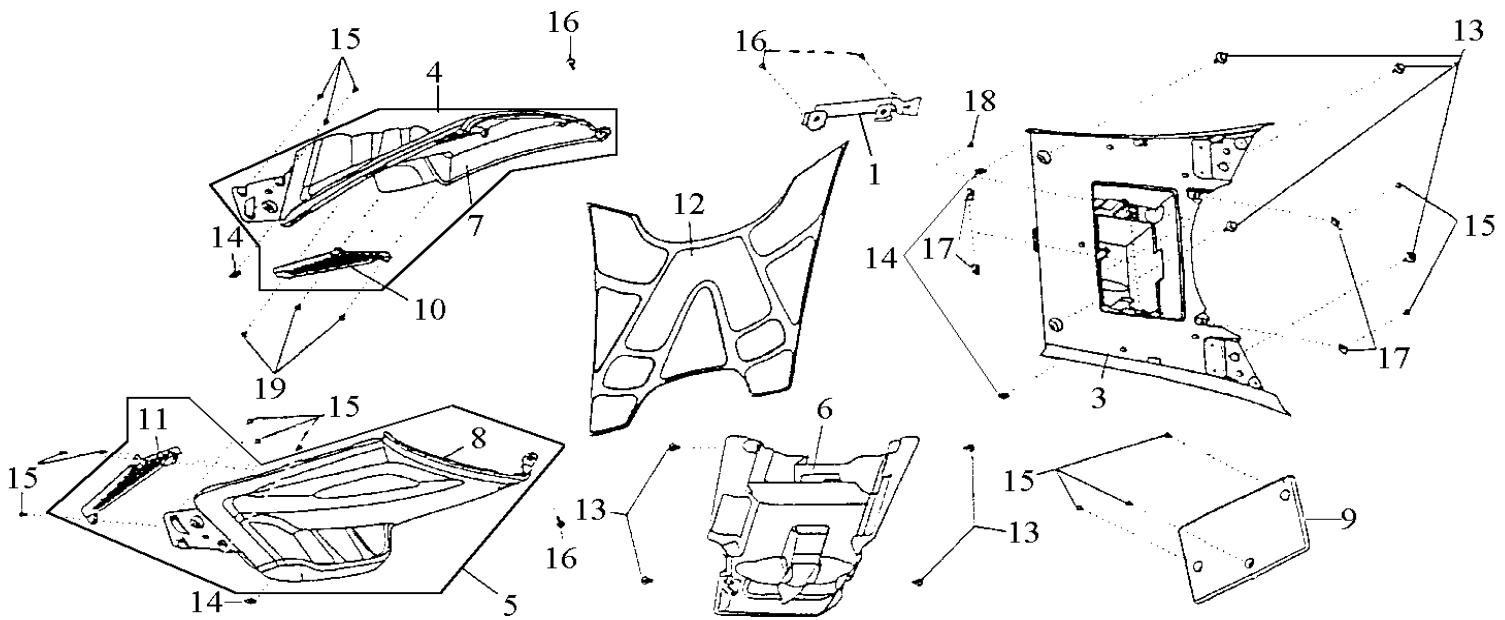
PARTS NUMBER	DESCRIPTION	QTY	EFFECTIVE DATE
2 1695A-H3B-000	Fuel cock assy	1	
3 1750A-H3B-000	Fuel tank assy	1	
4 17500-H3A-000	Fuel tank comp	1	
5 17620-H6P-000	Fuel tank cap comp	1	
8 17660-H3A-000	Filler pipe comp	1	
9 17770-H01-000	Fuel tank lock nut	1	
10 37800-H3A-000	Fuel nuit	1	
11 95801-06016-08	Flange bolt 6x16	2	
12 95801-06020-08	Flange bolt 6x20	1	



N-8

only





Pictures reference

PARTS NUMBER	DESCRIPTION	QTY	EFFECTIVE DATE
1 5032A-M9Q-000	Battery band assy	1	
3 50610-H3A-000-GK	Floor panel	1	
4 5061B-H3A-000-GK	R. side step assy	1	
5 5061C-H3A-000-GK	L. side step assy	1	
6 50613-H3A-000-KA	Under cover	1	
9 50620-H3A-000-GK	Battery lid	1	
10 50621-H3A-900	R. Grille	1	
11 50622-H3A-900	L. Grille	1	
12 64320-H3A-000-GK	Floor mat	1	
13 90111-M9Q-000	Flange bolt 6mm	8	
14 90677-GR1-003	Clip nut 5mm	4	
15 93903-35380	Tapping screw 5x16	11	
16 93891-05016-07	Washer screw	4	
18 93903-35320	Tapping screw 5x16	7	

19 93903-34320	Tapping screw 4x12	6	
----------------	--------------------	---	--

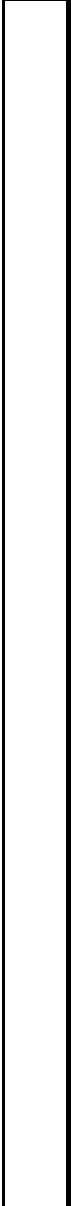


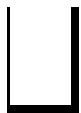
N-8

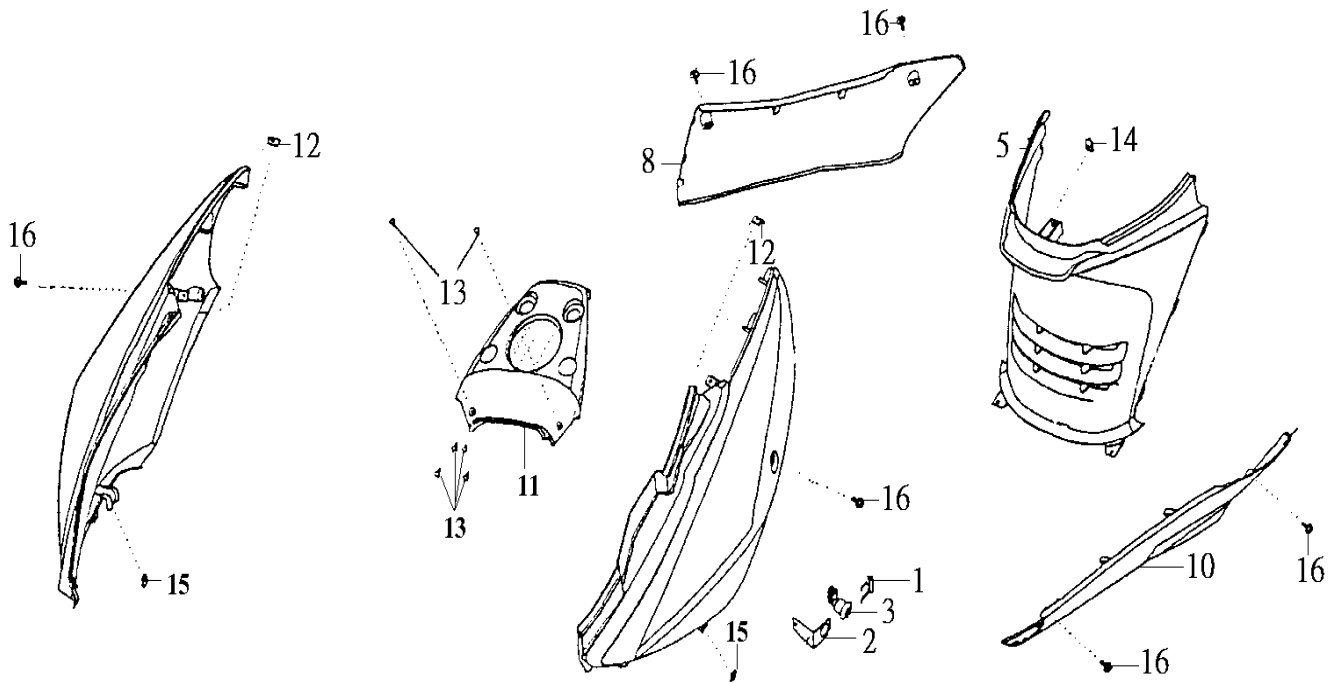
13  
/

15

only







Pictures reference

PARTS NUMBER		DESCRIPTION	QTY	EFFECTIVE DATE
1	75581-M9Q-000	N/A Lock key set spring	1	
1	75581-A16-000	Lock key set spring	1	
2	77236-HAA-000	Seat lock washer	1	
3	77239-T53-000	Key seat lock	1	
5	80151-H3A-000-GK	Center cover	1	
7	83500-H3A-000-CO	R. body cover	1	
7	83500-H3A-000-RT	R. body cover	1	
7	83500-H3A-000-SQ	R. body cover	1	
8	8352G-H3A-800-CO	R. side cover	1	
8	8352G-H3A-800-SQ	R. side cover	1	
8	83520-H3A-800-RT	R. side cover	1	
9	83600-H3A-000-CO	L. body cover	1	
9	83600-H3A-000-RT	L. body cover	1	
9	83600-H3A-000-SQ	L. body cover	1	
10	8362G-H3A-800-CO	L. side cover	1	
10	8362G-H3A-800-SQ	L. side cover	1	
10	83620-H3A-800-RT	L. side cover	1	
11	83750-H3B-000-CO	RR. Center UP cover	1	
11	83750-H3B-000-RT	RR. Center UP cover	1	
11	83750-H3B-000-SQ	RR. Center UP cover	1	
12	90302-SA4-003	Spring nut 4mm	2	
13	93903-34320	Tapping screw 4x12	8	
14	90305-M9Q-000	Clip nut 6mm	1	
15	90677-GR1-003	Clip nut 5mm	2	

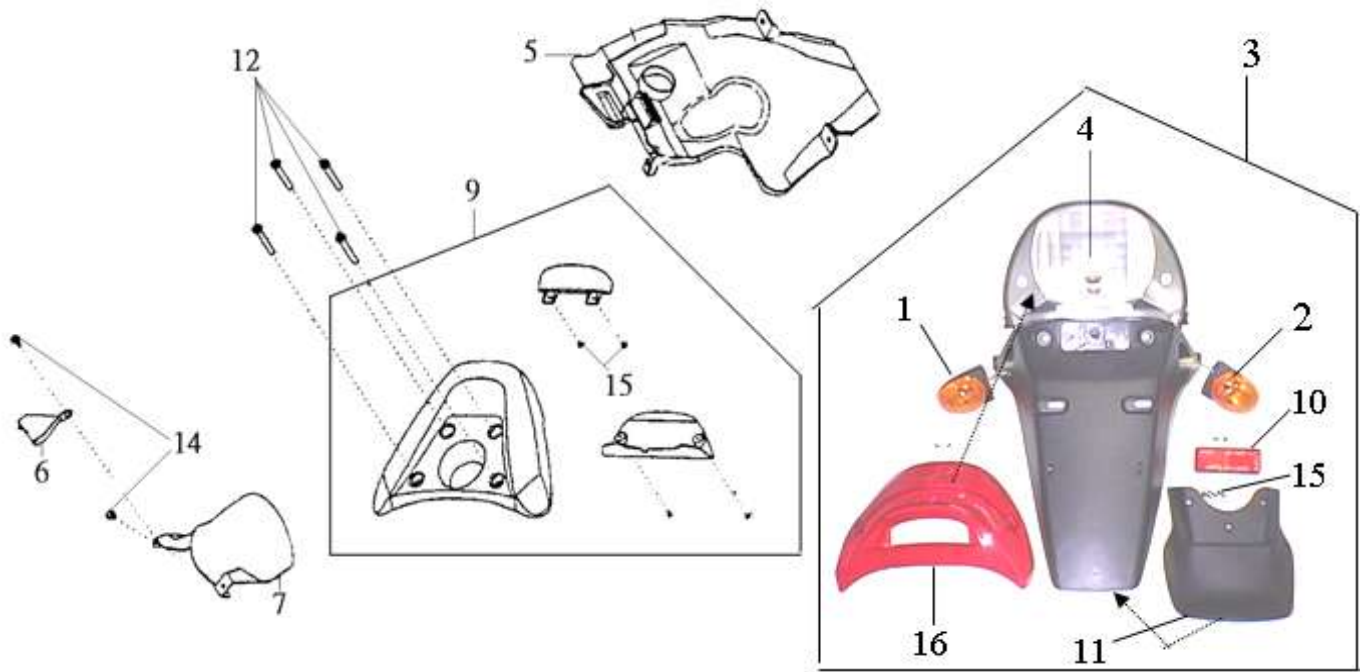
16	93891-05016-07	Washer screw 5x16	6
----	----------------	-------------------	---

N-8

only

Y





Pictures reference

PARTS NUMBER		DESCRIPTION	QTY	EFFECTIVE DATE
1	33600-H3A-000	RR. R. winker assy	1	
2	33650-H3A-000	RR. L. winker assy	1	
3	3370A-H3A-010	RR. Light assy	1	
4	34906-E69-000	Tail light bulb12V P21/5W	1	
5	80105-H3A-000-KA	RR. Inner fender assy	1	
6	80103-H3A-000	RR. Mudguard stay	1	
7	80107-H3A-000-KA	RR. mudguard	1	
9	8120A-H3B-000-CO	RR. Carrier assy	1	
9	8120A-H3B-000-SQ	RR. Carrier assy	1	
9	8120A-H3B-000-RT	RR. Carrier assy	1	
10	33741-H3A-000	RR. Reflex reflector	1	
11	80108-H3A-000	RR. Fender plate	1	
12	90185-M3F-000	Socket bolt 8x45	4	
13	93404-06012-08	Washer bolt 6x12	7	
14	93891-06016-07	Washer screw 6x16	2	
15	93903-34380	Tapping screw 4x12	7	
16	33702-H3A-000	N/A Tail light lens	1	

16 33702-H3B-000

Tail light lens

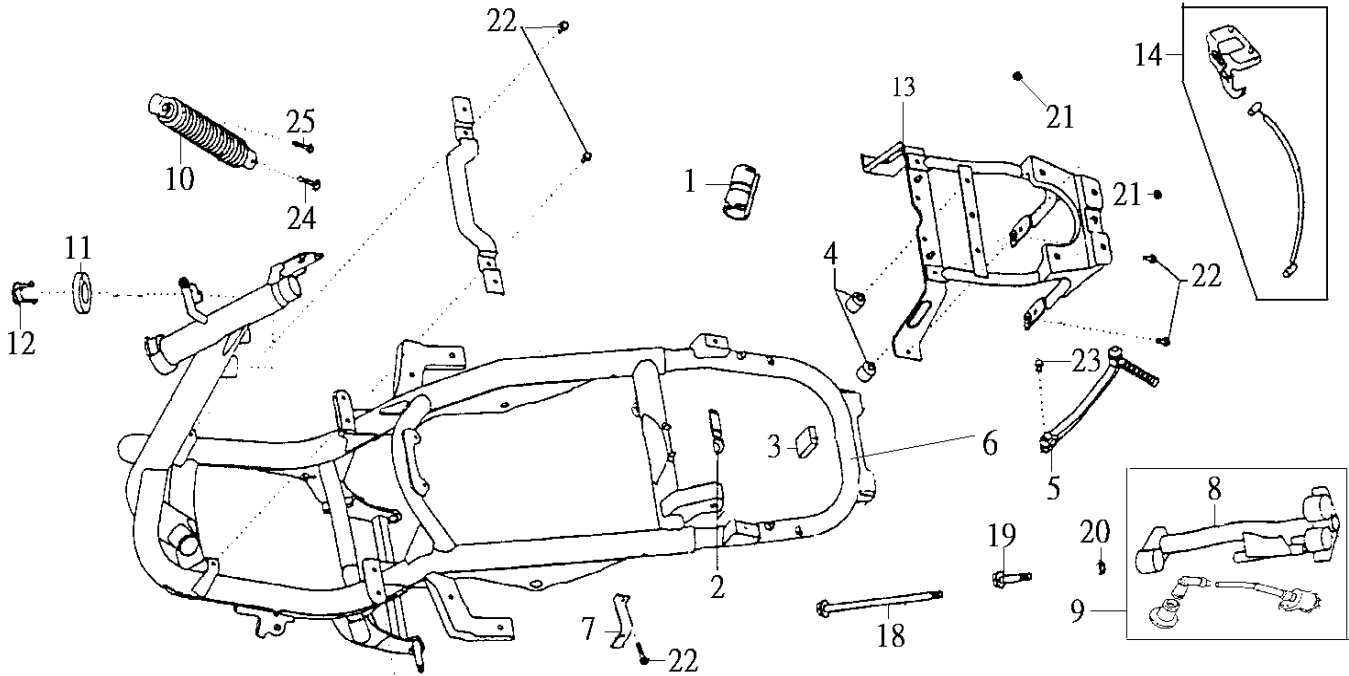
1



N-8

only





Pictures reference

PARTS NUMBER		DESCRIPTION	QTY	EFFECTIVE DATE
1	17621-H3A-000	Fuel tank pad rubber A	2	
2	17623-H3A-000	Fuel tank pad rubber B	1	
3	17624-H3A-000	Fuel tank sponge	1	
4	17625-H3A-000	Fuel tank pad rubber	2	
5	28300-HKA-000	Kick starter assy	1	
6	50100-H5M-000	Frame body comp	1	
7	50345-H3B-000	L. cover duct stay	1	
8	50350-H3A-000	ENG. Hanger comp	1	
9	5035A-H3A-000	ENG. Hanger assy	1	
10	52400-H3A-600	RR. Cushion comp	1	
11	64306-H12-020	Inner box sponge	1	
12	64307-M9Q-800	Pipe end cap	1	
13	81202-H3A-900	RR. Carrier bracket	1	
14	77230-H3A-000	Seat catch assy	1	
15	50710-H3A-800	R.pillion step assy	1	
16	50720-H3A-800	L.pillion step assy	1	
18	90105-H6B-900	Flange bolt 10x204	1	
19	90106-M9Q-000	Flange bolt 10x50	2	
20	90121-M9Q-000	Distance collar	1	
21	94050-06080	Flange nut 6mm	4	
22	95801-06012-08	Flange bolt 6x12	5	
23	95801-06022-07	Flange bolt 6x22	1	
24	95801-08032-08	Flange bolt 8x32	1	

25 95801-10040-08

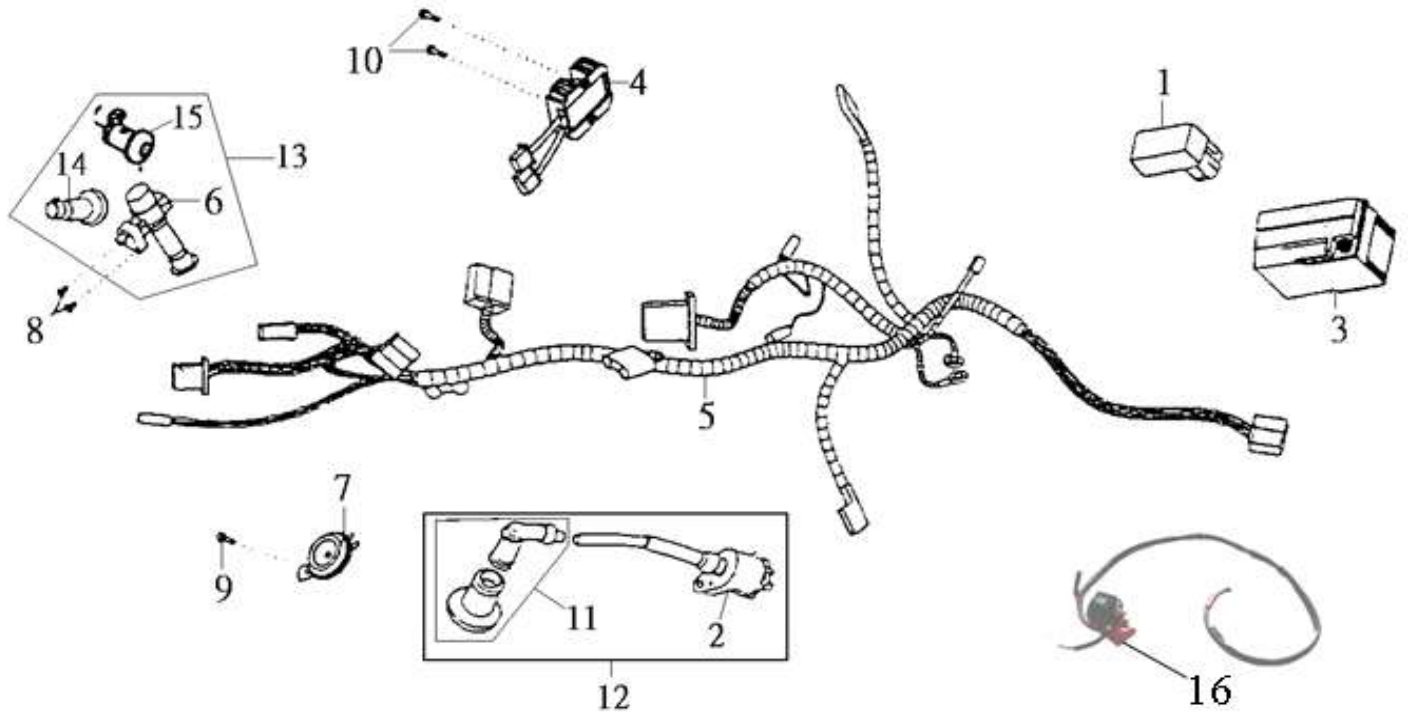
Flange bolt 10x40

1

N-8

only





PARTS NUMBER		DESCRIPTION	QTY	EFFECTIVE DATE
1	30410-M92-000	C.D.I. Unit assy	1	2004/12/1
2	30510-H3A-000	I.G.N. coil assy	1	
3	1Y01KV701-Y	Battery assy YTX9-BS	1	
4	31600-N28-000	Reg. Rec. assy	1	
4	31600-M9Q-000	Reg. Rec. assy	1	
5	32100-H5M-000	Wire harness	1	
6	35100-H3A-000	Comp & lock SW. assy	1	
7	38110-H3A-000	Horn comp	1	
8	90164-X01-000	Flat lock screw 6x12	2	
9	95801-08012-08	Flange bolt 8x12	1	
10	95801-06012-08	Flange bolt 6x12	2	
11	30700-M92-000	Spark plug cap	1	
12	3051A-H3A-010	N/A I. G. N. Coil ass'y	1	
12	3051A-H3A-000	I. G. N. Coil ass'y	1	
13	35010-H3A-000	Key set	1	
14	77239-T53-000	Key seat lock	1	
15	77233-M9Q-900	Inner box lock	1	

16	3585A-H3A-010	Star mag. Switch set	1	
----	---------------	----------------------	---	--

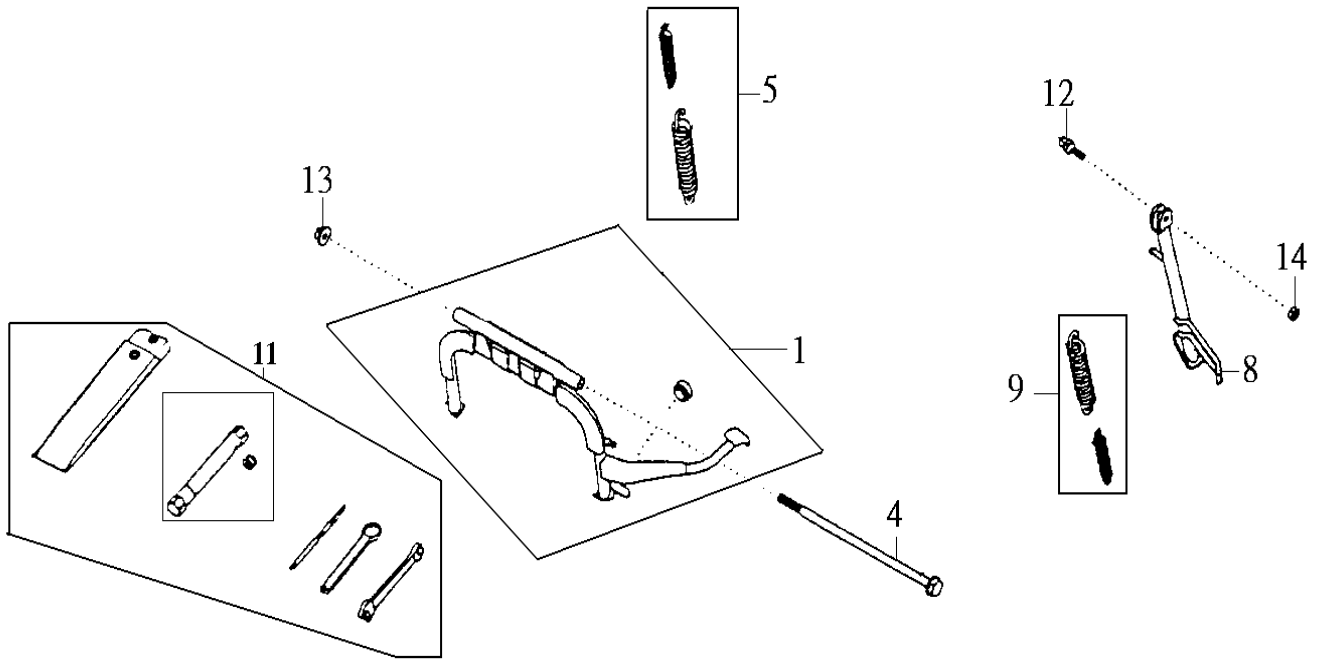


Pictures reference only

**N**

**Y**





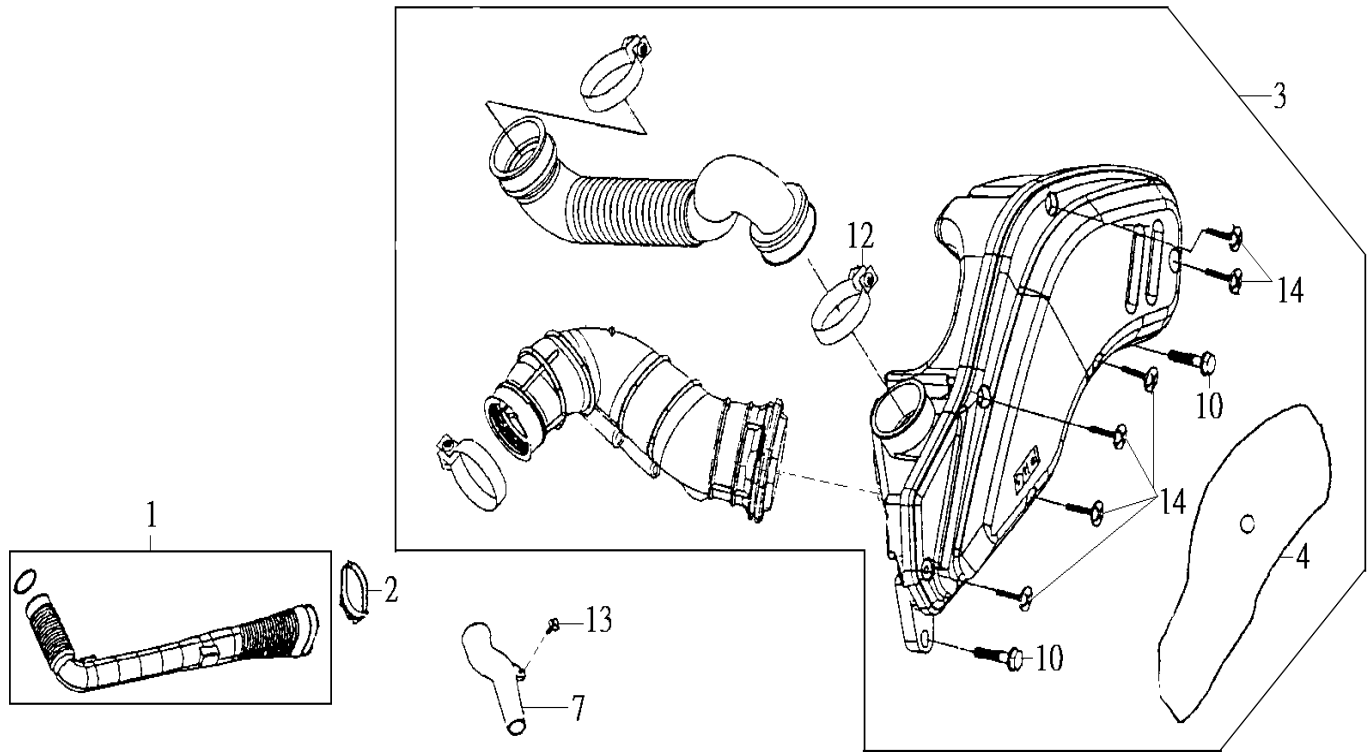
Pictures reference

PARTS NUMBER	DESCRIPTION	QTY	EFFECTIVE DATE
1 5050A-H3A-600	Main stand assy	1	
3 50505-H3A-000	Main stand stop rubber	1	
4 50512-H6B-000	Main stand pivot bolt	1	
5 5052A-X07-980	Main stand spring assy	1	
8 50530-H3A-900	Side stand comp	1	
9 95014-72204	Side stand spring assy	1	
11 89010-M92-000	Tool set	1	
12 90108-M9Q-000	Side stand pivot screw	1	
13 90304-M9Q-000	Flange U nut 10mm	1	
14 90309-M9Q-000-M2	Flange U nut 8mm	1	

--	--	--	--	--

only





Pictures reference

PARTS NUMBER		DESCRIPTION	QTY	EFFECTIVE DATE
1	1134B-H3B-000	L. cover duct assy	1	
2	11346-M9Q-000	N/A L. cover duct band	1	
2	11346-GY6-900	L. cover duct band	1	
3	17200-H3A-000	Air cleaner assy	1	
4	17211-H3A-000	Air cleaner element comp	1	
7	1724A-H3A-000	Air cleaner inlet chamber assy	1	
10	95701-06025-07	Flange bolt 6x25	2	
13	93404-06016-08	Washer bolt 6x16	1	
14	93903-25480	Tapping screw 5x20	6	

--	--	--	--	--



N-8

only

Y



PARTS NO.	NO.		PARTS NO.	NO.		PARTS NO.
<b>11000</b>			1236A-V02-000	E07		16100-H5A-000-01
11100-H3A-000-SN	E15		<b>13000</b>			16201-M92-000
11102-H6B-300	E15		13000-H7C-020	E16		16211-M92-000
11192-H6B-000	E15		13010-H7C-000	E16		1695A-H3B-000
11200-H3A-000-SN	E15		13101-H7C-000	E16		<b>17000</b>
11203-M9Q-300	E15		13111-M4Q-000	E16		1711A-H6B-900
11221-H3A-000	E03		13201-H7A-000	E16		17200-H3A-000
11221-H3A-000	E14		1320A-H7A-000	E16		17211-H3A-000
11221-H3A-000	E15		13381-M92-300	E16		17242-M9Q-000
11331-H6B-000-SN	E07		<b>14000</b>			1724A-H3A-000
1133A-H3A-000-SN	E07		14100-H7A-000	E04		17500-H3A-000
11340-H3A-000-H2	E11		14105-A31-000	E04		1750A-H3B-000
11341-H3A-000	E11		14105-X01-000	E04		17620-H6P-000
11346-GY6-900	F20		14108-M36-000	E04		17621-H3A-000
11346-M9Q-000	F20		14311-M92-300	E16		17623-H3A-000
1134A-H3A-000	E11		14431-H7A-000-F2	E04		17624-H3A-000
1134B-H3B-000	F20		14441-H7A-000-F2	E04		17625-H3A-000
11354-H3A-000	E11		14451-H6B-000	E04		17660-H3A-000
11356-H3A-000	E11		14452-H6B-000	E04		17770-H01-000
1135A-H3A-000-KA	E11		14457-H7A-000	E04		17910-H3A-000
11360-M92-300	E11		14510-M92-000	E05		<b>18000</b>
11384-M92-000	E01		14520-H6T-000	E05		18000-H5M-000
11385-H3A-000	E01		14520-M9Q-000	E05		18291-M9Q-000
11394-H6B-000	E07		14523-M9Q-000	E05		18293-H12-000
11395-H3A-000	E11		1453A-M92-000	E05		18318-H3A-000
<b>12000</b>			14610-H6T-000	E05		18328-H3A-000
12100-H7C-000-A	E06		14610-M92-000	E05		18410-H3A-000
12101-H7C-000	E06		14711-H6B-000	E04		<b>19000</b>
12191-H6B-000	E06		14721-H6B-000	E04		19510-M92-000
12200-H5A-000	E02		14751-H6B-000	E04		1961A-H6B-000
12202-H6B-300	E04		14771-H6B-000	E04		1962A-H6B-000
12203-H6B-300	E04		14781-M9Q-000-A	E04		19632-V02-000
12209-H6B-000	E04		<b>15000</b>			1963A-H3A-000
12209-H6B-900	E04		15100-H7A-000	E09		<b>21000</b>
1220A-H5A-000	E02		15133-M92-000	E09		21200-H3A-000

12237-H6T-300	E02	15421-M9Q-000	E07	21395-H3A-000
12245-H6T-300	E02	15426-M9Q-000	E07	<b>22000</b>
12251-H7A-000	E02	1565A-M92-000	E07	22101-M9Q-000
12300-H6B-000	E03	15711-M92-000	E09	22102-M92-000
1236A-H6B-000	E02	<b>16000</b>		22105-M92-000

7.03

NO.	
E17	
E02	
E02	
F13	
E02	
F20	
F20	
E17	
F20	
F13	
F13	
F13	
F17	
F17	
F17	
F17	
F13	
F13	
F03	
F11	
F11	
F11	
F11	
F11	
F11	
E08	
E01	
E01	
E01	
E01	
E14	

E14	
E13	
E12	
E12	

PARTS NO.	NO.		PARTS NO.	NO.		PARTS NO.
2211A-H5B-000	E12		30410-M92-000	F18		3585A-H3A-010
22121-M92-000-A	E12		30510-H3A-000	F18		<b>36000</b>
22131-M92-000	E12		3051A-H3A-000	F18		36150-H5M-000
22132-M92-000-A	E12		3051A-H3A-010	F18		<b>37000</b>
22300-M9A-000	E13		30700-M92-000	F18		37200-H5M-000
22350-M9Q-000	E13		<b>31000</b>			3720A-H5M-000
22361-M9Q-000	E13		31100-H3A-010	E08		37211-H3A-000
22401-M9Q-000	E13		31120-H3A-010	E08		37800-H3A-000
22804-M9Q-000	E13		31200-M92-100	E10		<b>38000</b>
<b>23000</b>			31600-M9Q-000	F18		38110-H3A-000
23010-H5K-000	E13		31600-N28-000	F18		38301-A31-000
23210-M92-000	E13		<b>32000</b>			<b>42000</b>
23220-H7A-000	E13		32100-H5M-000	F18		42311-H3A-000
23225-M9Q-000	E13		32106-KBN-900	F03		42601-H3A-000-SH
23226-M9Q-000	E13		32106-KBN-900	F09		42601-H3A-900-SH
23233-H7A-000	E13		32961-M92-000	E07		<b>43000</b>
23237-H7C-000	E13		<b>33000</b>			4312A-H6B-900
23238-M9Q-000	E13		33100-H3A-000	F01		43141-H6B-010
23411-M92-000	E14		33400-H3A-600	F04		43410-H3A-000
23420-M92-000	E14		33450-H3A-600	F04		43415-H3A-000
23431-H3A-000	E14		33600-H3A-000	F16		43450-H3A-000
23432-M92-000	E14		33650-H3A-000	F16		43472-H3A-000
<b>28000</b>			33702-H3A-000	F16		<b>44000</b>
28101-M9Q-000	E10		33702-H3B-000	F16		44301-G22-000
28102-M9Q-000	E10		3370A-H3A-010	F16		44311-GW0-910
28110-M9Q-000	E10		33741-H3A-000	F16		44601-H9A-000-SH
28120-M9Q-000	E10		<b>34000</b>			44620-H3A-000
28125-M92-000	E10		34901-M91-010	F01		44800-G22-000
2812A-H6T-000	E10		34905-B06-000-E	F04		44830-H3A-600
2812A-M92-000	E10		34905-H3A-000	F04		<b>45000</b>
28230-M92-000	E12		34906-E69-000	F16		45100-H3A-600
28233-M92-000	E12		34908-H3A-000	F01		45105-H3A-900-A
28250-H3A-000	E11		<b>35000</b>			45121-H3A-000
28250-H3A-000	E12		35010-H3A-000	F18		45126-H3C-000
28254-M92-000	E11		35100-H3A-000	F18		45133-M9Q-000

28254-M92-000	E12	35160-M9Q-000	F04	45500-H3A-000
28281-M92-000	E11	35170-M9Q-000	F04	<b>50000</b>
28281-M92-000	E12	35180-M9Q-000	F04	50100-H5M-000
28300-HKA-000	F17	35200-M9Q-000	F04	50301-M9Q-000
<b>30000</b>		35350-M70-000	F03	50302-M9Q-000



7.03

NO.	
F18	
F04	
F02	
F02	
F02	
F13	
F18	
F02	
F10	
F10	
F10	
F10	
F10	
F10	
F10	
F03	
F10	
F08	
F08	
F08	
F08	
F08	
F02	
F09	
F09	
F08	
F09	
F10	

F09	
F17	
F06	
F06	

PARTS NO.	NO.		PARTS NO.	NO.		PARTS NO.
50306-M9Q-000	F06		53206-H3A-010-SQ	F04		7720A-H3A-010-BK
5032A-M9Q-000	F14		5320C-H3A-010-CO	F04		77230-H3A-000
50345-H3B-000	F17		5320C-H3A-010-KV	F04		77233-M9Q-000
50350-H3A-000	F17		5320C-H3A-010-SQ	F04		77233-M9Q-900
5035A-H3A-000	F17		53210-H3A-600	F02		77236-HAA-000
50505-H3A-000	F19		53211-M9Q-000	F06		77239-T53-000
5050A-H3A-600	F19		53212-M9Q-000	F06		77239-T53-000
50512-H6B-000	F19		53215-M9Q-000	F06		<b>80000</b>
5052A-X07-980	F19		<b>61000</b>			80103-H3A-000
50530-H3A-900	F19		61100-H3A-000-CO	F05		80105-H3A-000-KA
50610-H3A-000-GK	F14		61100-H3A-000-RT	F05		80107-H3A-000-KA
50613-H3A-000-KA	F14		61100-H3A-000-SQ	F05		80108-H3A-000
5061B-H3A-000-GK	F14		61110-H3A-000	F06		80151-H3A-000-GK
5061C-H3A-000-GK	F14		61120-H3A-000-CO	F05		<b>81000</b>
50620-H3A-000-GK	F14		61120-H3A-000-RT	F05		81202-H3A-900
50621-H3A-900	F14		61120-H3A-000-SQ	F05		8120A-H3B-000-CO
50622-H3A-900	F14		<b>64000</b>			8120A-H3B-000-RT
50710-H3A-800	F17		64301-H3A-000-CO	F01		8120A-H3B-000-SQ
50720-H3A-800	F17		64301-H3A-000-KV	F01		8125A-H5A-900-KA
<b>51000</b>			64301-H3A-000-SQ	F01		<b>83000</b>
5140A-H3A-600	F06		64302-H3A-000-CO	F07		83500-H3A-000-CO
5150A-H3A-600	F06		64302-H3A-000-KV	F07		83500-H3A-000-RT
<b>52000</b>			64302-H3A-000-SQ	F07		83500-H3A-000-SQ
52400-H3A-600	F17		64304-T1E-000	F07		83520-H3A-800-RT
<b>53000</b>			64306-H12-020	F17		8352G-H3A-800-CO
53100-H3A-010	F04		64307-M9Q-800	F17		8352G-H3A-800-SQ
53105-H3A-000	F03		64308-H3A-000-GK	F07		83600-H3A-000-CO
53125-M9Q-000	F04		64309-H6A-000	F07		83600-H3A-000-RT
53140-H3A-000	F03		64318-H6B-000-GK	F07		83600-H3A-000-SQ
53166-H3A-000	F03		64318-H6B-010-GK	F07		83620-H3A-800-RT
53167-H09-900	F03		64320-H3A-000-GK	F14		8362G-H3A-800-CO
53168-H09-000	F03		<b>70000</b>			8362G-H3A-800-SQ
53172-H3A-000	F03		70529-M9Q-000	E01		83750-H3B-000-CO
53173-GS7-003	F03		<b>75000</b>			83750-H3B-000-RT
53175-H09-020	F09		75581-A16-000	F07		83750-H3B-000-SQ

53178-M92-010	F03	75581-A16-000	F15	<b>87000</b>
5317B-H3A-000	F03	75581-M9Q-000	F07	87121-H6T-000
53200-H3A-000	F06	75581-M9Q-000	F15	<b>88000</b>
53206-H3A-010-CO	F04	<b>77000</b>		88110-H3A-000
53206-H3A-010-KV	F04	77100-P6A-000	F12	88112-M9Q-000

7.03

NO.	
F12	
F17	
F18	
F07	
F15	
F15	
F18	
F16	
F16	
F16	
F16	
F15	
F17	
F16	
F16	
F16	
F12	
F15	
F15	
F15	
F15	
F15	
F15	
F15	
F15	
F15	
F15	
F15	
F15	
F15	
F15	

F01	
F03	
F03	

## PARTS NO. INDEX

PARTS NO.	NO.		PARTS NO.	NO.		PARTS NO.
88120-H3A-000	F03		90301-M92-000	F11		90912-M9Q-000-M1
<b>89000</b>			90301-M9Q-900	F07		<b>91000</b>
89010-M92-000	F19		90301-M9Q-900	F12		91001-GY6-900-M1
<b>90000</b>			90302-M9Q-800	F02		91001-H6B-300
90001-GY6-900	E10		90302-SA4-003	F15		91001-H6T-300
90001-M9Q-000	E05		90304-M9Q-000	F04		91001-M9Q-300
90002-M9Q-000	E10		90304-M9Q-000	F19		91001-X06-911-M1
90005-M9Q-000	E05		90305-GW0-901-M1	F10		91002-H6B-300
9000B-M9Q-000	E11		90305-M9Q-000	F05		91002-M9Q-300
90012-M9Q-000	E04		90305-M9Q-000	F15		91003-M8Q-000
90031-107-010	E02		90306-M9Q-000	F08		91101-M9Q-000
90031-M2Q-000	E02		90308-SB2-013	F01		91102-M9Q-000
90032-M92-300	E02		90308-SB2-013	F05		91104-KN7-670
90033-M92-000	E02		90309-M9Q-000-M2	F19		91104-M9Q-000
90083-X01-000	E04		90381-GZ5-000	F12		91201-GY6-903-M2
90103-KN8-000	E15		90403-M92-000	E10		91202-G03-010
90103-M9Q-000	E15		90440-M9Q-000	E08		91202-KJ9-003
90105-H6B-900	F17		90440-M9Q-000	E12		91202-M9Q-300
90105-KR3-000	F08		90440-M9Q-000	E13		91211-M8Q-000
90105-M9Q-000	F12		90442-028-000	E02		91211-V02-000
90106-M9Q-000	F04		90443-107-000	E02		91255-GE0-003
90106-M9Q-000	F17		90443-107-000	F11		91258-KM1-004
90108-M9Q-000	F19		90451-M9Q-000	E11		91302-H6B-900
90110-G22-000	F01		90452-M9Q-000	E12		91305-M9Q-000
90110-T53-000	F09		90474-M9Q-000	E15		91306-M9Q-000
90111-M9Q-000	F14		90481-M9Q-000	E15		91308-M9Q-000
90115-M9Q-000	F03		90481-M9Q-100	E15		91384-M9Q-000
90117-T15-000	F05		90545-M9Q-000	F09		91508-A26-000
90121-M9Q-000	F17		90602-N01-000	E09		<b>92000</b>
90131-GW0-910	F09		90605-166-720	E13		92101-05012-0A
90145-M9Q-000	F09		90605-M9Q-000	E13		92800-12000
90164-MR4-900	F05		90677-GR1-003	F07		<b>93000</b>
90164-X01-000	F18		90677-GR1-003	F14		93404-06012-08
90185-M3F-000	F16		90677-GR1-003	F15		93404-06016-08
90185-T31-000	F03		90682-V02-900	E03		93500-06022-0A

90201-M9Q-000	E10	90701-M9Q-000	E10	93600-06025-0A
90202-M9Q-000	E13	90702-M9Q-000	E16	93891-05016-07
90203-M9Q-000	E12	90703-M8Q-000	E11	93891-05016-07
90203-M9Q-000	E13	90703-M8Q-000	E14	93891-06016-07
90206-M9Q-000	E04	90754-M9Q-000-M2	F08	93892-05012-08



7.03

NO.	
F08	
E13	
E16	
E13	
E13	
E16	
E13	
E13	
E14	
E16	
E16	
E14	
E10	
E07	
E15	
E14	
E14	
E13	
E13	
E14	
F08	
E02	
E02	
E05	
E02	
E13	
F04	
E08	
E15	
F16	
F20	
E11	

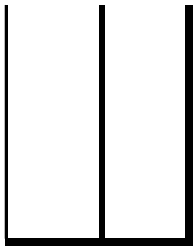
E09	
F14	
F15	
F16	
F11	

PARTS NO.	NO.		PARTS NO.	NO.		PARTS NO.
93892-06016-08	F11		95701-06032-00	F10		<b>SPARK PLUG</b>
93903-25480	F20		95701-08050-08	F06		1PC7E-3
93903-34320	F02		95701-10012-08	E15		<b>TIRE</b>
93903-34320	F04		95801-06012-08	F06		1T011009012-4PR
93903-34320	F07		95801-06012-08	F17		1T011307012-4PR-DN
93903-34320	F14		95801-06012-08	F18		<b>BATTERY</b>
93903-34320	F15		95801-06016-08	F12		1Y01KV701-Y
93903-34380	F16		95801-06016-08	F13		<b>CARB. FIXING SET</b>
93903-34480	F04		95801-06020-08	F13		H5A-1
93903-35220	F04		95801-06022-07	F17		H5A-2
93903-35320	F01		95801-08012-08	F18		H5A-3
93903-35320	F05		95801-08032-08	F17		H5A-4
93903-35320	F14		95801-08038-07	F11		H5A-5
93903-35380	F07		95801-08120-07	F11		
93903-35380	F14		95801-10040-08	F17		
93904-35280	E01		<b>96000</b>			
93904-35380	E01		96001-06010-00	E03		
<b>94000</b>			96001-06010-00	E04		
94001-05000-0S	F03		96001-06012-08	E09		
94050-06000	E02		96001-06016-08	E02		
94050-06000	F12		96001-06016-08	E10		
94050-06080	F17		96001-06018-08	E08		
94050-12000	E08		96001-06020-07	F03		
94109-12000	E15		96001-06025-00	E01		
94301-08140	E07		96001-06025-08	E01		
94301-08140	E15		96001-06030-08	E07		
94301-10200	E06		96001-06045-08	E15		
94510-20000	E14		96001-06055-08	E15		
94511-14000	E11		96001-06095-08	E02		
94520-28000	E13		96001-06095-08	E07		
94591-21000	F07		96001-06100-08	E07		
94601-15000	E16		96100-62033-10	E14		
<b>95000</b>			96100-63013-00	E14		
95002-40850-08	E03		96150-60043-10	E14		
95014-72204	F19		96211-05000	F06		

95015-32001	F10	96211-08000	F06	
95015-42000	F10	<b>DRIVE BELT</b>		
95701-06018-08	E08	1B01H3A01	E13	
95701-06020-00	E03	<b>CAM CHAIN</b>		
95701-06025-07	F20	1C14401-M92-000	E05	

7.03

NO.	
E02	
F08	
F10	
F18	
E17	
E17	
E17	
E17	
E17	



11000	
11100-H3A-000-SN	E15
11102-H6B-300	E15
11192-H6B-000	E15
11200-H3A-000-SN	E15
11203-M9Q-300	E15
11221-H3A-000	E03
11221-H3A-000	E14
11221-H3A-000	E15
11331-H6B-000-SN	E07
1133A-H3A-000-SN	E07
11340-H3A-000-H2	E11
11341-H3A-000	E11
11346-GY6-900	F20
11346-M9Q-000	F20
1134A-H3A-000	E11
1134B-H3B-000	F20
11354-H3A-000	E11
11356-H3A-000	E11
1135A-H3A-000-KA	E11
11360-M92-300	E11
11384-M92-000	E01
11385-H3A-000	E01
11394-H6B-000	E07
11395-H3A-000	E11
12000	
12100-H7C-000-A	E06
12101-H7C-000	E06
12191-H6B-000	E06
12200-H5A-000	E02
12202-H6B-300	E04
12203-H6B-300	E04
12209-H6B-000	E04
12209-H6B-900	E04
1220A-H5A-000	E02
12237-H6T-300	E02
12245-H6T-300	E02
12251-H7A-000	E02
12300-H6B-000	E03
1236A-H6B-000	E02
1236A-V02-000	E07
13000	
13000-H7C-020	E16
13010-H7C-000	E16
13101-H7C-000	E16
13111-M4Q-000	E16

13201-H7A-000	E16
1320A-H7A-000	E16
13381-M92-300	E16
14000	
14100-H7A-000	E04
14105-A31-000	E04
14105-X01-000	E04
14108-M36-000	E04
14311-M92-300	E16
14431-H7A-000-F2	E04
14441-H7A-000-F2	E04
14451-H6B-000	E04
14452-H6B-000	E04
14457-H7A-000	E04
14510-M92-000	E05
14520-H6T-000	E05
14520-M9Q-000	E05
14523-M9Q-000	E05
1453A-M92-000	E05
14610-H6T-000	E05
14610-M92-000	E05
14711-H6B-000	E04
14721-H6B-000	E04
14751-H6B-000	E04
14771-H6B-000	E04
14781-M9Q-000-A	E04
15000	
15100-H7A-000	E09
15133-M92-000	E09
15421-M9Q-000	E07
15426-M9Q-000	E07
1565A-M92-000	E07
15711-M92-000	E09
16000	
16100-H5A-000-01	E17
16201-M92-000	E02
16211-M92-000	E02
1695A-H3B-000	F13
17000	
1711A-H6B-900	E02
17200-H3A-000	F20
17211-H3A-000	F20
17242-M9Q-000	E17
1724A-H3A-000	F20
17500-H3A-000	F13
1750A-H3B-000	F13



17620-H6P-000	F13
17621-H3A-000	F17
17623-H3A-000	F17
17624-H3A-000	F17
17625-H3A-000	F17
17660-H3A-000	F13
17770-H01-000	F13
17910-H3A-000	F03
18000	
18000-H5M-000	F11
18291-M9Q-000	F11
18293-H12-000	F11
18318-H3A-000	F11
18328-H3A-000	F11
18410-H3A-000	F11
19000	
19510-M92-000	E08
1961A-H6B-000	E01
1962A-H6B-000	E01
19632-V02-000	E01
1963A-H3A-000	E01
21000	
21200-H3A-000	E14
21395-H3A-000	E14
22000	
22101-M9Q-000	E13
22102-M92-000	E12
22105-M92-000	E12
2211A-H5B-000	E12
22121-M92-000-A	E12
22131-M92-000	E12
22132-M92-000-A	E12
22300-M9A-000	E13
22350-M9Q-000	E13
22361-M9Q-000	E13
22401-M9Q-000	E13
22804-M9Q-000	E13
23000	
23010-H5K-000	E13
23210-M92-000	E13
23220-H7A-000	E13
23225-M9Q-000	E13
23226-M9Q-000	E13
23233-H7A-000	E13
23237-H7C-000	E13
23238-M9Q-000	E13

23411-M92-000	E14
23420-M92-000	E14
23431-H3A-000	E14
23432-M92-000	E14
28000	
28101-M9Q-000	E10
28102-M9Q-000	E10
28110-M9Q-000	E10
28120-M9Q-000	E10
28125-M92-000	E10
2812A-H6T-000	E10
2812A-M92-000	E10
28230-M92-000	E12
28233-M92-000	E12
28250-H3A-000	E11
28250-H3A-000	E12
28254-M92-000	E11
28254-M92-000	E12
28281-M92-000	E11
28281-M92-000	E12
28300-HKA-000	F17
30000	
30410-M92-000	F18
30510-H3A-000	F18
3051A-H3A-000	F18
3051A-H3A-010	F18
30700-M92-000	F18
31000	
31100-H3A-010	E08
31120-H3A-010	E08
31200-M92-100	E10
31600-M9Q-000	F18
31600-N28-000	F18
32000	
32100-H5M-000	F18
32106-KBN-900	F03
32106-KBN-900	F09
32961-M92-000	E07
33000	
33100-H3A-000	F01
33400-H3A-600	F04
33450-H3A-600	F04
33600-H3A-000	F16
33650-H3A-000	F16
33702-H3A-000	F16
33702-H3B-000	F16

3370A-H3A-010	F16
33741-H3A-000	F16
34000	
34901-M91-010	F01
34905-B06-000-E	F04
34905-H3A-000	F04
34906-E69-000	F16
34908-H3A-000	F01
35000	
35010-H3A-000	F18
35100-H3A-000	F18
35160-M9Q-000	F04
35170-M9Q-000	F04
35180-M9Q-000	F04
35200-M9Q-000	F04
35350-M70-000	F03
3585A-H3A-010	F18
36000	
36150-H5M-000	F04
37000	
37200-H5M-000	F02
3720A-H5M-000	F02
37211-H3A-000	F02
37800-H3A-000	F13
38000	
38110-H3A-000	F18
38301-A31-000	F02
42000	
42311-H3A-000	F10
42601-H3A-000-SH	F10
42601-H3A-900-SH	F10
43000	
4312A-H6B-900	F10
43141-H6B-010	F10
43410-H3A-000	F10
43415-H3A-000	F10
43450-H3A-000	F03
43472-H3A-000	F10
44000	
44301-G22-000	F08
44311-GW0-910	F08
44601-H9A-000-SH	F08
44620-H3A-000	F08
44800-G22-000	F08
44830-H3A-600	F02
45000	

45100-H3A-600	F09
45105-H3A-900-A	F09
45121-H3A-000	F08
45126-H3C-000	F09
45133-M9Q-000	F10
45500-H3A-000	F09
50000	
50100-H5M-000	F17
50301-M9Q-000	F06
50302-M9Q-000	F06
50306-M9Q-000	F06
5032A-M9Q-000	F14
50345-H3B-000	F17
50350-H3A-000	F17
5035A-H3A-000	F17
50505-H3A-000	F19
5050A-H3A-600	F19
50512-H6B-000	F19
5052A-X07-980	F19
50530-H3A-900	F19
50610-H3A-000-GK	F14
50613-H3A-000-KA	F14
5061B-H3A-000-GK	F14
5061C-H3A-000-GK	F14
50620-H3A-000-GK	F14
50621-H3A-900	F14
50622-H3A-900	F14
50710-H3A-800	F17
50720-H3A-800	F17
51000	
5140A-H3A-600	F06
5150A-H3A-600	F06
52000	
52400-H3A-600	F17
53000	
53100-H3A-010	F04
53105-H3A-000	F03
53125-M9Q-000	F04
53140-H3A-000	F03
53166-H3A-000	F03
53167-H09-900	F03
53168-H09-000	F03
53172-H3A-000	F03
53173-GS7-003	F03
53175-H09-020	F09
53178-M92-010	F03

5317B-H3A-000	F03
53200-H3A-000	F06
53206-H3A-010-CO	F04
53206-H3A-010-KV	F04
53206-H3A-010-SQ	F04
5320C-H3A-010-CO	F04
5320C-H3A-010-KV	F04
5320C-H3A-010-SQ	F04
53210-H3A-600	F02
53211-M9Q-000	F06
53212-M9Q-000	F06
53215-M9Q-000	F06
61000	
61100-H3A-000-CO	F05
61100-H3A-000-RT	F05
61100-H3A-000-SQ	F05
61110-H3A-000	F06
61120-H3A-000-CO	F05
61120-H3A-000-RT	F05
61120-H3A-000-SQ	F05
64000	
64301-H3A-000-CO	F01
64301-H3A-000-KV	F01
64301-H3A-000-SQ	F01
64302-H3A-000-CO	F07
64302-H3A-000-KV	F07
64302-H3A-000-SQ	F07
64304-T1E-000	F07
64306-H12-020	F17
64307-M9Q-800	F17
64308-H3A-000-GK	F07
64309-H6A-000	F07
64318-H6B-000-GK	F07
64318-H6B-010-GK	F07
64320-H3A-000-GK	F14
70000	
70529-M9Q-000	E01
75000	
75581-A16-000	F07
75581-A16-000	F15
75581-M9Q-000	F07
75581-M9Q-000	F15
77000	
77100-P6A-000	F12
7720A-H3A-010-BK	F12
77230-H3A-000	F17

77233-M9Q-000	F18
77233-M9Q-900	F07
77236-HAA-000	F15
77239-T53-000	F15
77239-T53-000	F18
80000	
80103-H3A-000	F16
80105-H3A-000-KA	F16
80107-H3A-000-KA	F16
80108-H3A-000	F16
80151-H3A-000-GK	F15
81000	
81202-H3A-900	F17
8120A-H3B-000-CO	F16
8120A-H3B-000-RT	F16
8120A-H3B-000-SQ	F16
8125A-H5A-900-KA	F12
83000	
83500-H3A-000-CO	F15
83500-H3A-000-RT	F15
83500-H3A-000-SQ	F15
83520-H3A-800-RT	F15
8352G-H3A-800-CO	F15
8352G-H3A-800-SQ	F15
83600-H3A-000-CO	F15
83600-H3A-000-RT	F15
83600-H3A-000-SQ	F15
83620-H3A-800-RT	F15
8362G-H3A-800-CO	F15
8362G-H3A-800-SQ	F15
83750-H3B-000-CO	F15
83750-H3B-000-RT	F15
83750-H3B-000-SQ	F15
87000	
87121-H6T-000	F01
88000	
88110-H3A-000	F03
88112-M9Q-000	F03
88120-H3A-000	F03
89000	
89010-M92-000	F19
90000	
90001-GY6-900	E10
90001-M9Q-000	E05
90002-M9Q-000	E10
90005-M9Q-000	E05

9000B-M9Q-000	E11
90012-M9Q-000	E04
90031-107-010	E02
90031-M2Q-000	E02
90032-M92-300	E02
90033-M92-000	E02
90083-X01-000	E04
90103-KN8-000	E15
90103-M9Q-000	E15
90105-H6B-900	F17
90105-KR3-000	F08
90105-M9Q-000	F12
90106-M9Q-000	F04
90106-M9Q-000	F17
90108-M9Q-000	F19
90110-G22-000	F01
90110-T53-000	F09
90111-M9Q-000	F14
90115-M9Q-000	F03
90117-T15-000	F05
90121-M9Q-000	F17
90131-GW0-910	F09
90145-M9Q-000	F09
90164-MR4-900	F05
90164-X01-000	F18
90185-M3F-000	F16
90185-T31-000	F03
90201-M9Q-000	E10
90202-M9Q-000	E13
90203-M9Q-000	E12
90203-M9Q-000	E13
90206-M9Q-000	E04
90301-M92-000	F11
90301-M9Q-900	F07
90301-M9Q-900	F12
90302-M9Q-800	F02
90302-SA4-003	F15
90304-M9Q-000	F04
90304-M9Q-000	F19
90305-GW0-901-M1	F10
90305-M9Q-000	F05
90305-M9Q-000	F15
90306-M9Q-000	F08
90308-SB2-013	F01
90308-SB2-013	F05
90309-M9Q-000-M2	F19

90381-GZ5-000	F12
90403-M92-000	E10
90440-M9Q-000	E08
90440-M9Q-000	E12
90440-M9Q-000	E13
90442-028-000	E02
90443-107-000	E02
90443-107-000	F11
90451-M9Q-000	E11
90452-M9Q-000	E12
90474-M9Q-000	E15
90481-M9Q-000	E15
90481-M9Q-100	E15
90545-M9Q-000	F09
90602-N01-000	E09
90605-166-720	E13
90605-M9Q-000	E13
90677-GR1-003	F07
90677-GR1-003	F14
90677-GR1-003	F15
90682-V02-900	E03
90701-M9Q-000	E10
90702-M9Q-000	E16
90703-M8Q-000	E11
90703-M8Q-000	E14
90754-M9Q-000-M2	F08
90912-M9Q-000-M1	F08
91000	
91001-GY6-900-M1	E13
91001-H6B-300	E16
91001-H6T-300	E13
91001-M9Q-300	E13
91001-X06-911-M1	E16
91002-H6B-300	E13
91002-M9Q-300	E13
91003-M8Q-000	E14
91101-M9Q-000	E16
91102-M9Q-000	E16
91104-KN7-670	E14
91104-M9Q-000	E10
91201-GY6-903-M2	E07
91202-G03-010	E15
91202-KJ9-003	E14
91202-M9Q-300	E14
91211-M8Q-000	E13
91211-V02-000	E13



91255-GE0-003	E14
91258-KM1-004	F08
91302-H6B-900	E02
91305-M9Q-000	E02
91306-M9Q-000	E05
91308-M9Q-000	E02
91384-M9Q-000	E13
91508-A26-000	F04
92000	
92101-05012-0A	E08
92800-12000	E15
93000	
93404-06012-08	F16
93404-06016-08	F20
93500-06022-0A	E11
93600-06025-0A	E09
93891-05016-07	F14
93891-05016-07	F15
93891-06016-07	F16
93892-05012-08	F11
93892-06016-08	F11
93903-25480	F20
93903-34320	F02
93903-34320	F04
93903-34320	F07
93903-34320	F14
93903-34320	F15
93903-34380	F16
93903-34480	F04
93903-35220	F04
93903-35320	F01
93903-35320	F05
93903-35320	F14
93903-35380	F07
93903-35380	F14
93904-35280	E01
93904-35380	E01
94000	
94001-05000-0S	F03
94050-06000	E02
94050-06000	F12
94050-06080	F17
94050-12000	E08
94109-12000	E15
94301-08140	E07
94301-08140	E15

94301-10200	E06
94510-20000	E14
94511-14000	E11
94520-28000	E13
94591-21000	F07
94601-15000	E16
95000	
95002-40850-08	E03
95014-72204	F19
95015-32001	F10
95015-42000	F10
95701-06018-08	E08
95701-06020-00	E03
95701-06025-07	F20
95701-06032-00	F10
95701-08050-08	F06
95701-10012-08	E15
95801-06012-08	F06
95801-06012-08	F17
95801-06012-08	F18
95801-06016-08	F12
95801-06016-08	F13
95801-06020-08	F13
95801-06022-07	F17
95801-08012-08	F18
95801-08032-08	F17
95801-08038-07	F11
95801-08120-07	F11
95801-10040-08	F17
96000	
96001-06010-00	E03
96001-06010-00	E04
96001-06012-08	E09
96001-06016-08	E02
96001-06016-08	E10
96001-06018-08	E08
96001-06020-07	F03
96001-06025-00	E01
96001-06025-08	E01
96001-06030-08	E07
96001-06045-08	E15
96001-06055-08	E15
96001-06095-08	E02
96001-06095-08	E07
96001-06100-08	E07
96100-62033-10	E14

96100-63013-00	E14
96150-60043-10	E14
96211-05000	F06
96211-08000	F06
DRIVE BELT	
1B01H3A01	E13
CAM CHAIN	
1C14401-M92-000	E05
SPARK PLUG	
1PC7E-3	E02
TIRE	
1T011009012-4PR	F08
1T011307012-4PR-DM	F10
BATTERY	
1Y01KV701-Y	F18
CARB. FIXING SET	
H5A-1	E17
H5A-2	E17
H5A-3	E17
H5A-4	E17
H5A-5	E17