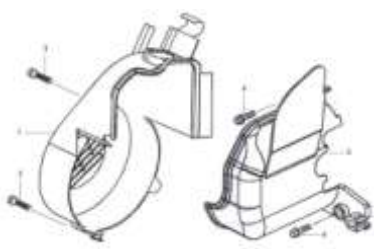
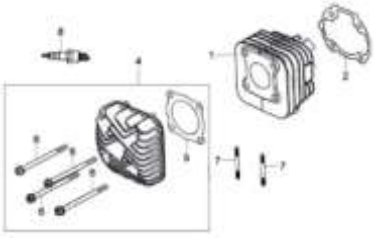
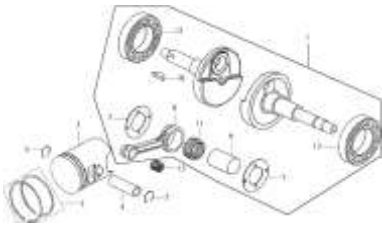
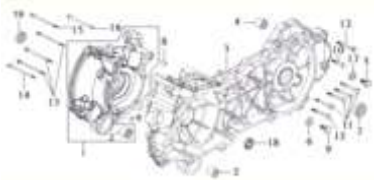
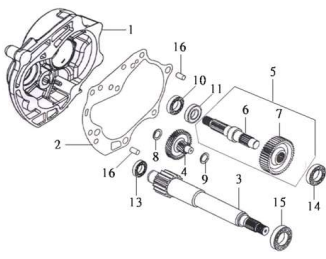
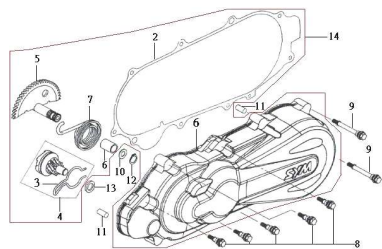
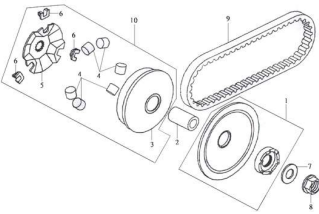
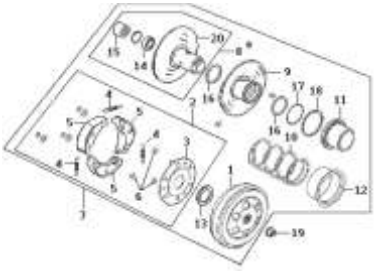
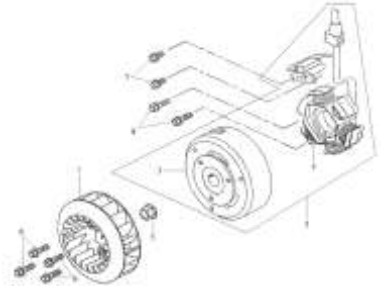
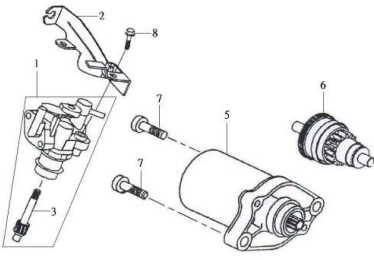
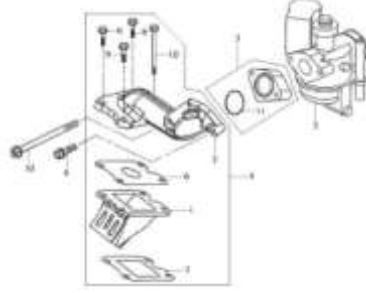
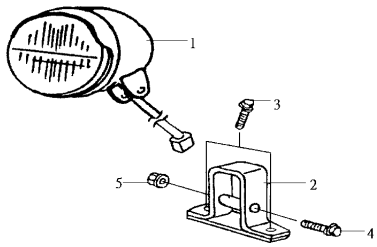
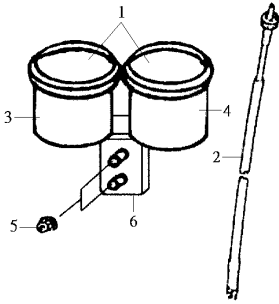
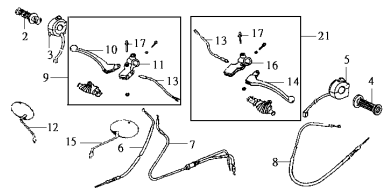
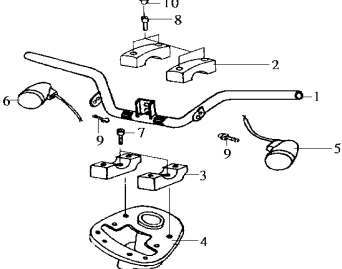

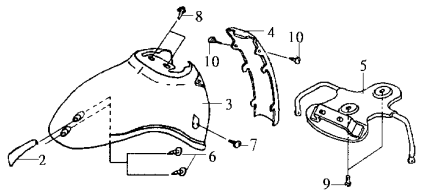
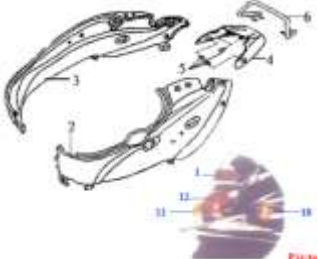
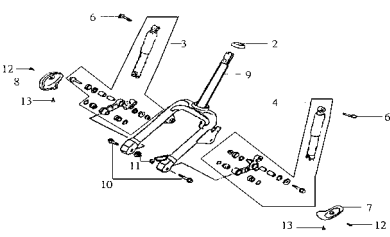
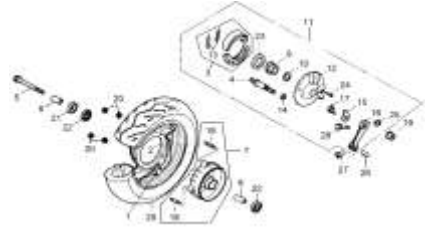

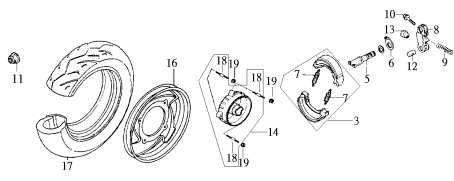
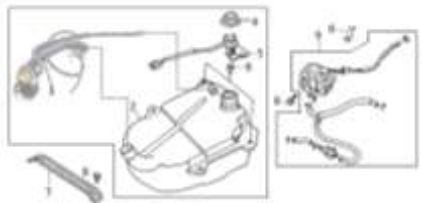


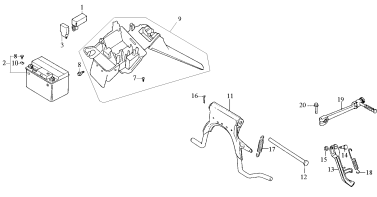
COLOR PARTS INDEX

N O	MODEL		FA05U1-8		FA05U1-8		FA05U1-8	
	BASIC COLOR		BLACK		BLACK/SILVER		WHITE	
	CODE		BK-0406S	BK	BK0406S/S1305P	BKS	WH-003P	W
Item	Parts Number	Description	Basic Color	Code	Basic Color	Code	Basic Color	Code
1	42610-M7Q-000	RR. WHEEL HUB COMP	NH-168M	GC	NH-168M	GC	NH-168M	GC
2	42702-GE1-940	WHEEL RIM COMP	NH-168M	GC	NH-168M	GC	NH-168M	GC
3	44601-M9Q-000	FR. WHEEL HUB COMP	NH-168M	GC	NH-168M	GC	NH-168M	GC
4	45000-F3H-000	FR. BRAKE PANEL ASSY	NH-168M	GC	NH-168M	GC	NH-168M	GC
5	45100-F3C-000	FR. BRAKE PANEL COMP	NH-168M	GC	NH-168M	GC	NH-168M	GC
6	50610-F3C-000	FLOOR PANEL	BK-001U	KA	BK-001U	KA	GY-425U	GJ
7	50611-F3C-000	UNDER COVER	BK-001U	KA	BK-001U	KA	BK-001U	KA
8	61100-F3C-000	FR. FENDER ASSY	BK-0406S	KV	BK-0406S	KV	WH-003P	WF
9	61200-F3C-000	FR. FENDER B	BK-0406S	KV	BK-0406S	KV	WH-003P	WF
10	64304-F3H-000	INNER BOX COMP	BK-001U	KA	BK-001U	KA	GY-425U	GJ
11	64308-F3C-010	INNER BOX COVER	BK-001U	KA	BK-001U	KA	GY-425U	GJ
12	6430G-F3K-900	FR. COVER ASSY	N/A		N/A		N/A	
12-1	64301-F3G-900	FR. COVER ASSY	BK-0406S	KV	BK0406S/S1305P	BKS	WH-003P	WF
12-2	87124-TDB-900	SYM MARK	TYPE2	T2	TYPE2	T2	TYPE2	T2
12-3	87125-TDB-910	FR. COVER STRIPE	TYPE2	T2	TYPE2	T2	TYPE2	T2
12-4	87128-TDB-900	FR. COVER STRIPE B			TYPE2	T2		
13	64313-F3C-000	FRAME NUMBER LID	BK-001U	KA	BK-001U	KA	GY-425U	GJ
14	64320-F3C-000	FLOOR PANEL MAT	BK-001U	KA	BK-001U	KA	GY-425U	GJ
15	64400-F3C-000	FR. SPOILER	BK-0406S	KV	S-1305P	SM	WH-003P	WF
16	77200-F3H-600	DOUBLE SEAT COMP	TYPE1	T1	TYPE1	T1	TYPE2	T2
17	80151-F3C-000	CENTER COVER	BK-0406S	KV	S-1305P	SM	WH-003P	WF
18	81132-H12-000	LUGGAGE HOOK	GY-426U	GK	GY-426U	GK	GY-425U	GJ
19	83500-F3G-900	R. BODY COVER	BK-0406S	KV	BK-0406S	KV	WH-003P	WF
20	83520-F3C-000	R. FLOOR SIDE COVER	BK-0406S	KV	S-1305P	SM	WH-003P	WF
21	83600-F3G-900	L. BODY COVER	BK-0406S	KV	BK-0406S	KV	WH-003P	WF
22	83620-F3C-000	L. FLOOR SIDE COVER	BK-0406S	KV	S-1305P	SM	WH-003P	WF

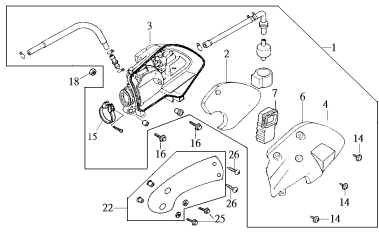
<p>E01 FAN COVER , SHROUD</p> 	<p>E02 CYLINDER, CYLINDER HEAD</p> 	<p>E03 CRANK SHAFT , PISTON</p> 
<p>E04 CRANK CASE</p> 	<p>E05 TRANSMISSION</p> 	<p>E06 L. SIDE COVER</p> 
<p>E07 DRIVE FACE</p> 	<p>E08 DRIVE PULLEY</p> 	<p>E09 AC. GENERATOR</p> 
<p>E10 STARTING MOTOR</p> 	<p>E11 CARBURETOR</p> 	

<p>F01</p> <p>Head Light</p> 	<p>F02</p> <p>Speedometer Assy</p> 	<p>F03</p> <p>Cable .Switch. Handle Level</p> 
<p>F04</p> <p>Handle Pipe</p> 	<p>F05</p> <p>Front Cover</p> 	<p>F06</p> <p>Front fender</p> 
<p>F07</p> <p>Body Cover</p> 	<p>F08</p> <p>Front fork·Fr. Cushion</p> 	<p>F09</p> <p>Front wheel assy</p> 
<p>F10</p> <p>Seat.Muffler</p> 	<p>F11</p> <p>Rear wheel</p> 	<p>F12</p> <p>Fuel tank</p> 

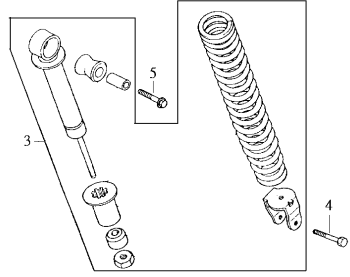
F13
RR. Fender·Battery·Main stand



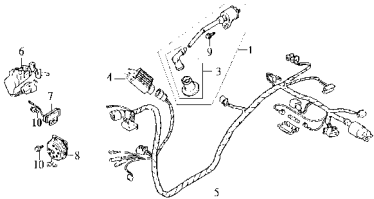
F14
Air cleaner



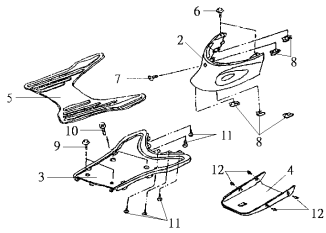
F15
E.E.C system·RR. Cushion



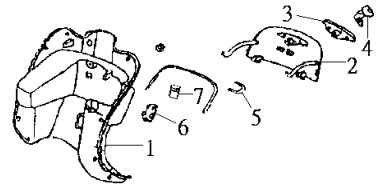
F16
Wire harness·Ignition coil



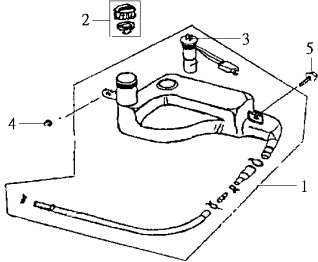
F17
Floor panel·Center cover



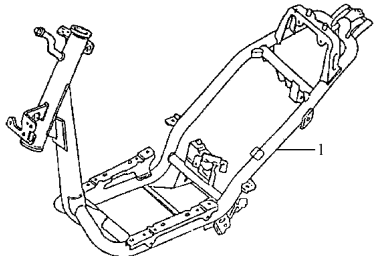
F18
Inner box

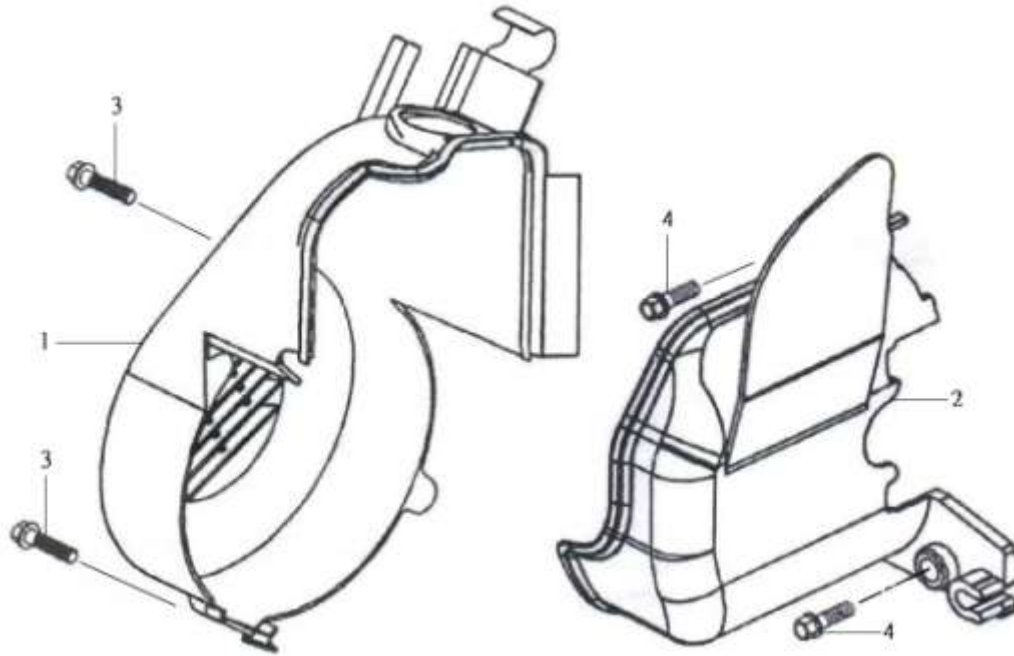


F19
Oil tank



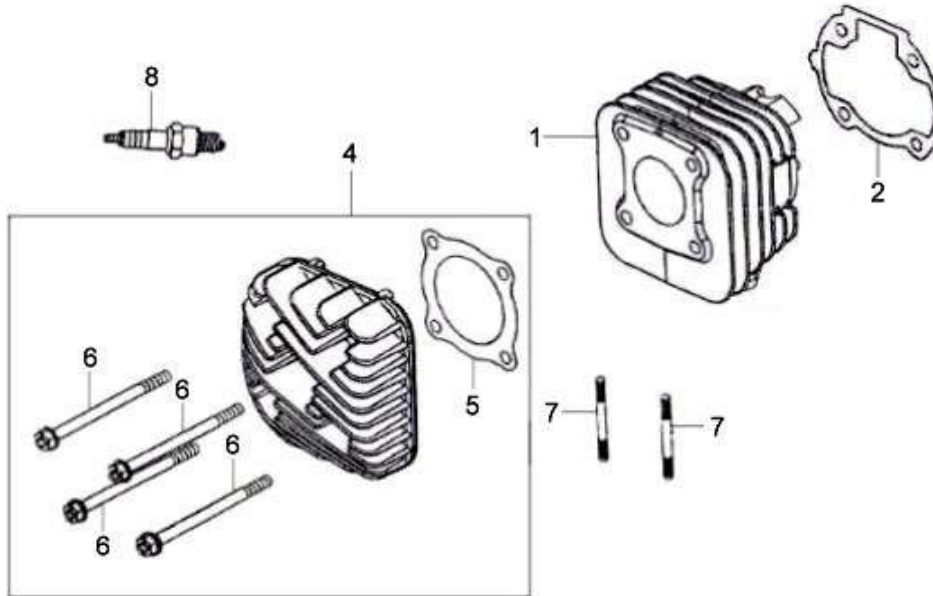
F20
Frame Body





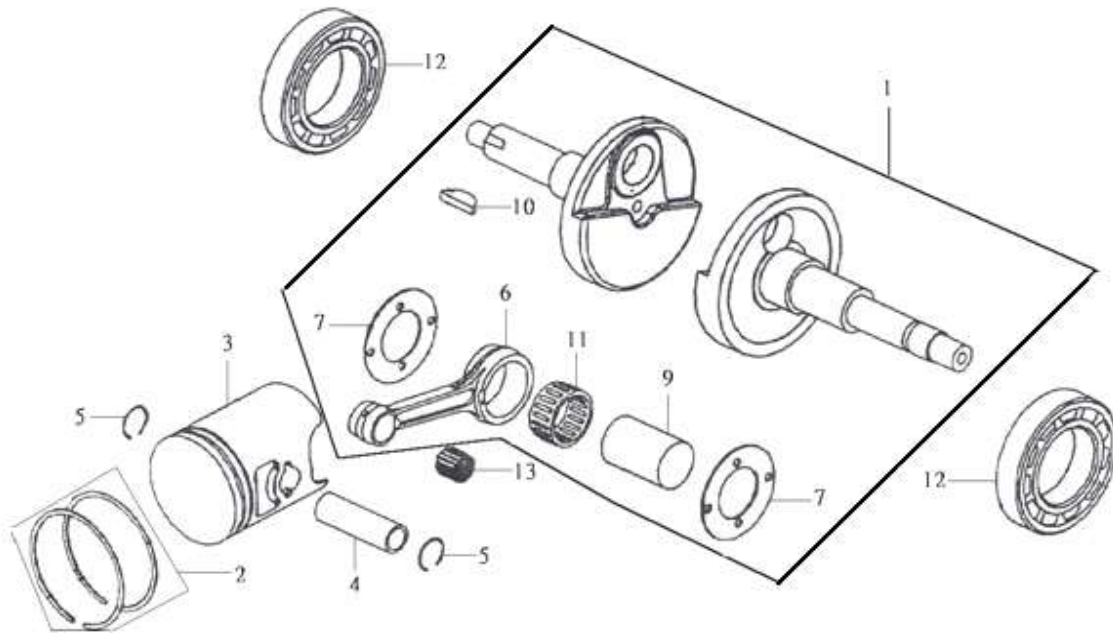
Pictures reference only

PARTS NUMBER	DESCRIPTION	Q T Y	EFFECTIVE DATE	
1 19600-F3G-000	Fan cover comp	1		
2 19621-TAA-000	Shroud comp	1		
3 96001-06016-00	Flange bolt SH 6x16	2		
4 96001-06025-00	SH. Flange bolt 6x25mm	2		



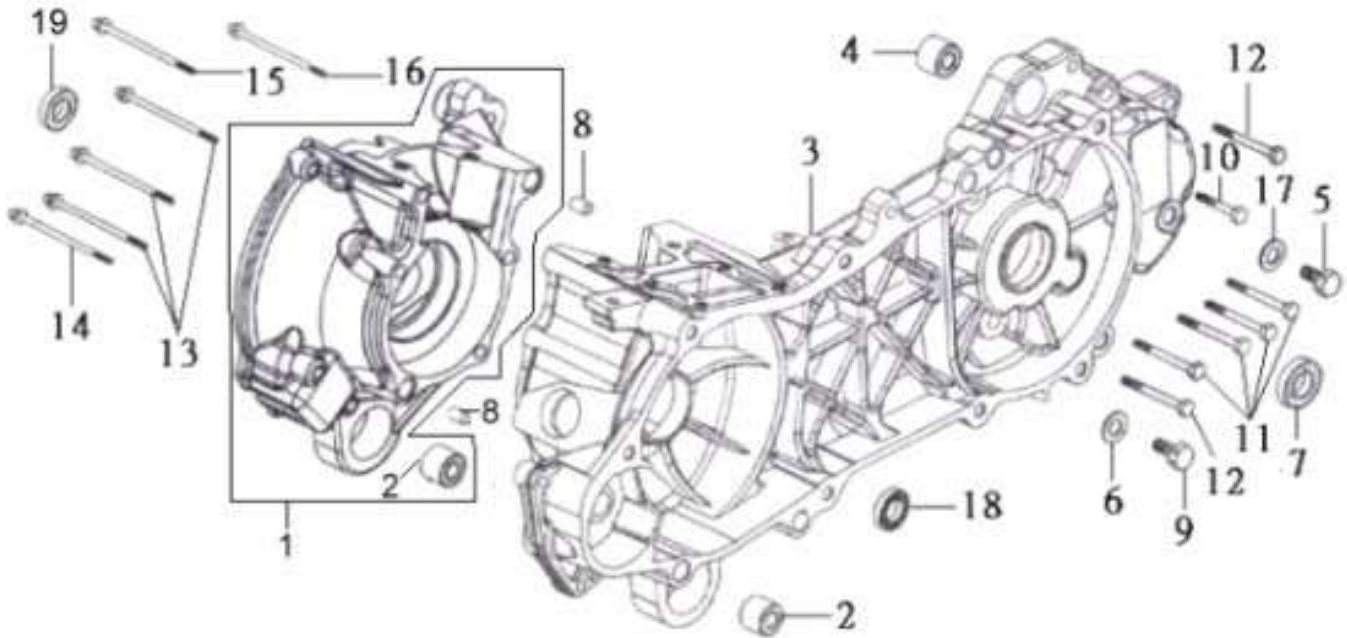
Pictures reference only

PARTS NUMBER		DESCRIPTION	QTY	EFFECTIVE DATE	
1	12101-M7Q-000-A	Cylinder A	1		
2	12191-M7Q-000	Cylinder gasket	1		
4	1220A-TAA-000	Cylinder head	1		
5	12251-M7Q-000	Cylinder head gasket	1		
6	90001-M7Q-000	N/A Flange bolt 6x95	4		
6	90001-GA7-000	Flange bolt 6x95	4		Y
7	92900-06016-1B	Stud bolt II 6x16	2		
8	1PBR8HSA-3	Spark plug (BR8HSA)	1		



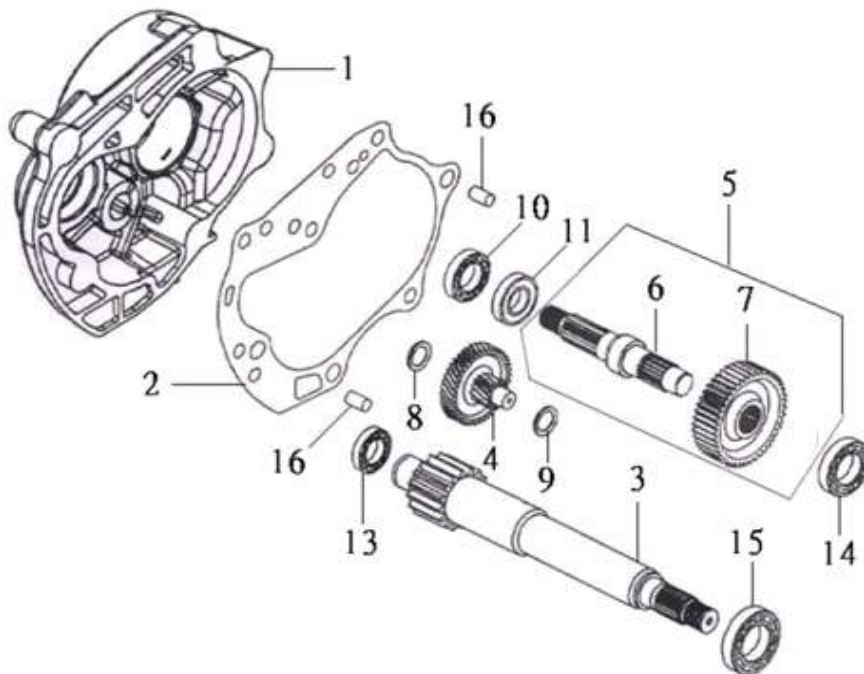
Pictures reference only

PARTS NUMBER		DESCRIPTION	QTY	EFFECTIVE DATE
1	13000-TAA-000	Crank shaft comp	1	
2	13010-M7Q-000	Piston ring set	1	
3	13101-T5C-000	Piston	1	
4	13111-M7Q-000	Piston pin	1	
5	13115-M7Q-000	Piston pin clip 12mm	2	
6	13201-M7Q-300	Connecting rod	1	
7	13202-M7Q-300	Connecting rod side plate	2	
9	13381-M7Q-300	Crank pin	1	
10	90741-M7Q-000	Woodruff key	1	
11	91001-M6Q-000	Connecting rod bearing B	1	
12	91005-M7Q-000	Radial ball bearing6304	2	
13	91102-M7Q-000	Connectiong rod small end	1	



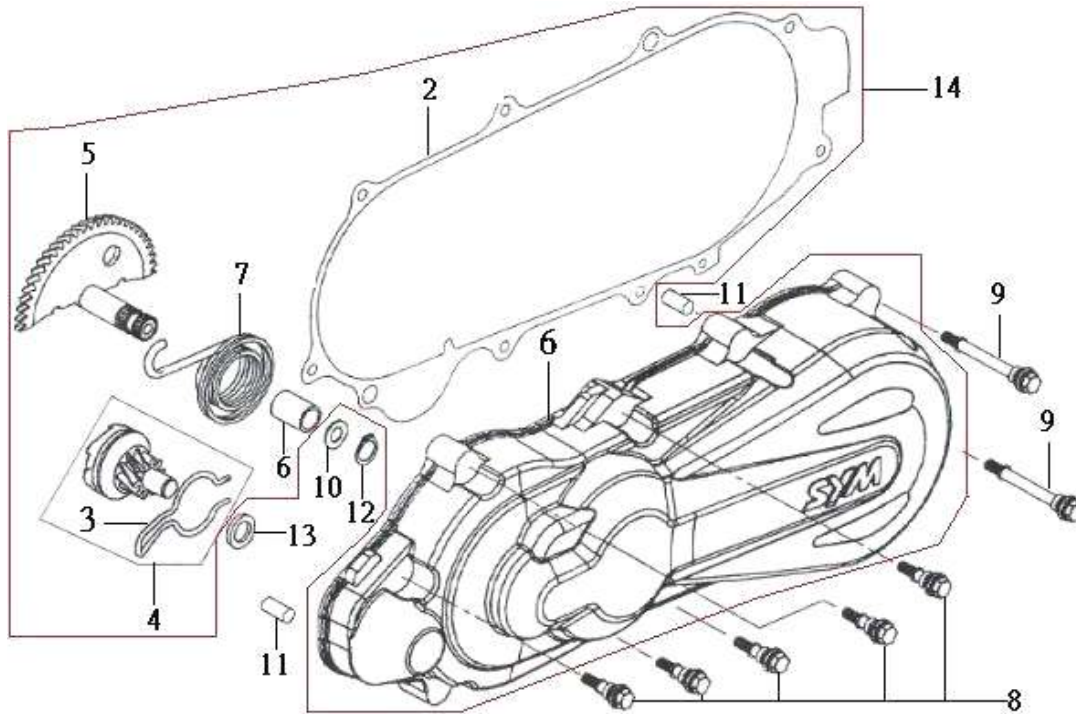
Pictures reference only

PARTS NUMBER	DESCRIPTION	QTY	EFFECTIVE DATE
1 11100-TAE-000	R. crank case comp	1	
2 11102-M7Q-300	Enginr hanger rubber bush	2	
3 11200-TAE-000	L. crank case comp	1	
4 11203-M9Q-300	RR cushion under rub. bush	1	
5 90035-GF4-000	Check bolt	1	
6 90488-700-000	Washer A 8mm	1	
7 91202-F01-000	Oil seal 20x31x7	2	
8 94301-08200	Dowel pin 8x20	2	
9 95701-08012-00	Bolt flange 8x12	1	
10 95701-08030-00	Bolt flange 8x30	1	
11 95701-08040-00	Bolt flange 8x40	4	
12 95701-08045-00	Bolt flange 8x45	2	
13 96001-06040-00	Flange bolt SH 6x40	3	
14 96001-06045-00	Flange bolt SH 6x45	1	
15 96001-06060-00	Flange bolt SH 6x60	1	
16 96001-06075-00	Flange bolt SH 6x75	1	
17 90481-M9Q-000	Plain washer 10.2 mm	1	
18 91204-M7Q-000	Oil seal 17x30x5	1	
19 91201-F01-000	Oil seal 15.6x25.5x7	1	



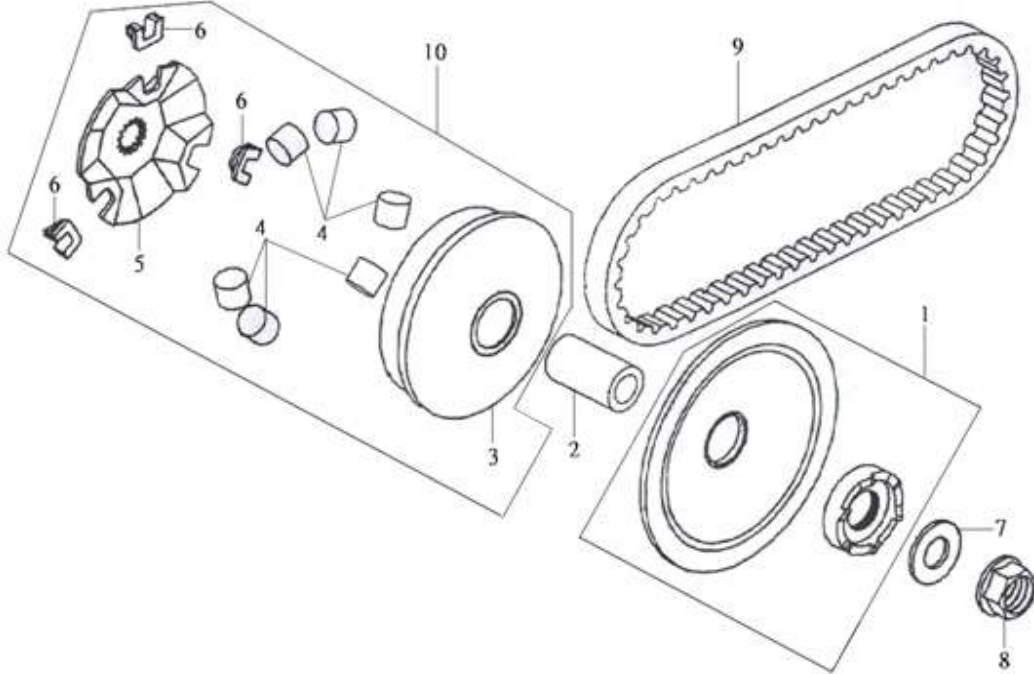
Pictures reference only

PARTS NUMBER		DESCRIPTION	QTY	EFFECTIVE DATE	
1	21200-TAE-000	Mission case comp	1		
2	21395-TAA-000	Mission cover gasket A	1		
3	23411-M7Q-000	Drive shaft (12T)	1		
4	23420-TAA-000	Counter shaft comp	1		
5	23430-TAA-000	Final gear comp (45T)	1		
6	23431-M7Q-300	Final shaft	1		
7	23432-TAA-000	Final gear	1		
8	90429-M7Q-000	N/A Side washer 14mm	1		
8	90429-GN2-003	Side washer 14mm	1		Y
9	90454-M7Q-000	Thrust washer 14mm	1		
10	91028-M7Q-000	Ball radial brg. 6203UU	1		
11	91254-M7Q-000	Oil seal 24x40x7	1		
13	96100-62013-00	Radial ball bearing 6201T/C3	1		
14	96100-62023-00	Radial ball bearing 6202T/C3	1		
15	96100-62033-00	Radial ball bearing 6203T/C3	1		
15	96100-62033-10	Radial ball bearing 6203T/C3	1	2004/1/12	
16	94301-10160	Dowel pin 10x16	2		
16	94301-10200	DOWEL PIN 10*20	2	2005/4/27	



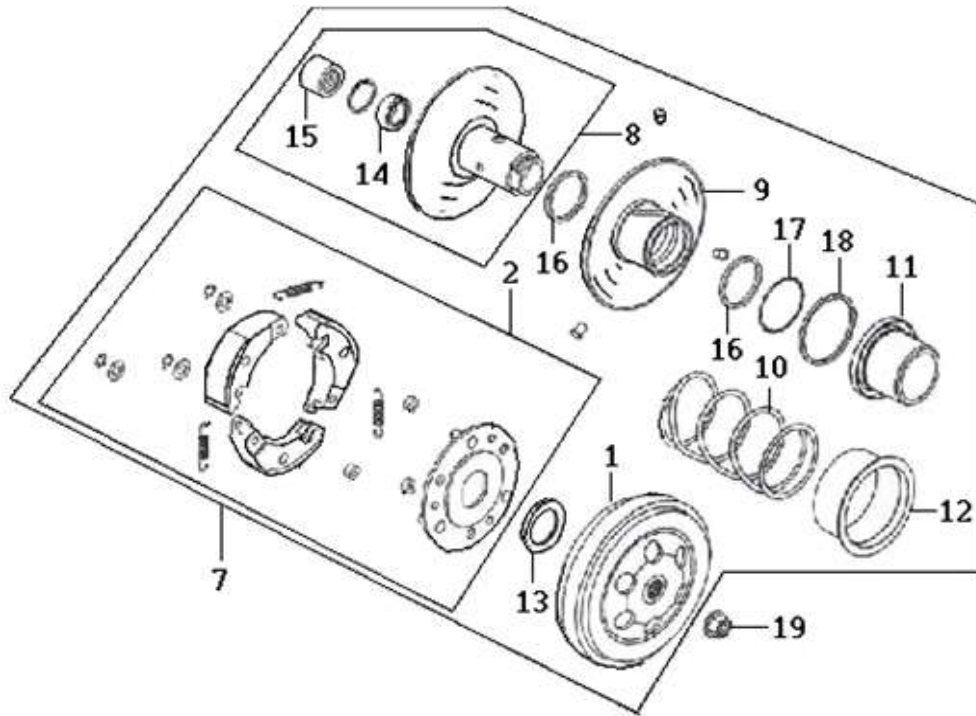
Pictures reference only

PARTS NUMBER		DESCRIPTION	QTY	EFFECTIVE DATE
1	11340-TDA-000	L. side cover comp	1	
2	11395-TAA-000	L. side cover gasket	1	
3	28223-M7Q-000	Starter gear friction spg.	1	
4	2823A-F01-000	Kick driven gear assy	1	
5	28250-M7Q-000	Spindle comp kick starter	1	
6	28253-M7Q-000	Kick spindle bush	1	
7	28281-M7Q-000	Kick return spg.	1	
8	9000A-TAA-000	Special bolt 6x46 assy	5	
9	9000B-TAA-000	Special bolt 6x71 assy	2	
10	90451-M7Q-000	Kick spindle washer	1	
11	90703-M8Q-000	revised Dowel pin 10x14	2	
12	94511-14000	Ex. Cir-clip 14mm	1	
13	90412-M7Q-000	Thrust washer 10mm	1	
14	1134A-TDA-000	L. side cover assy	1	



Pictures reference only

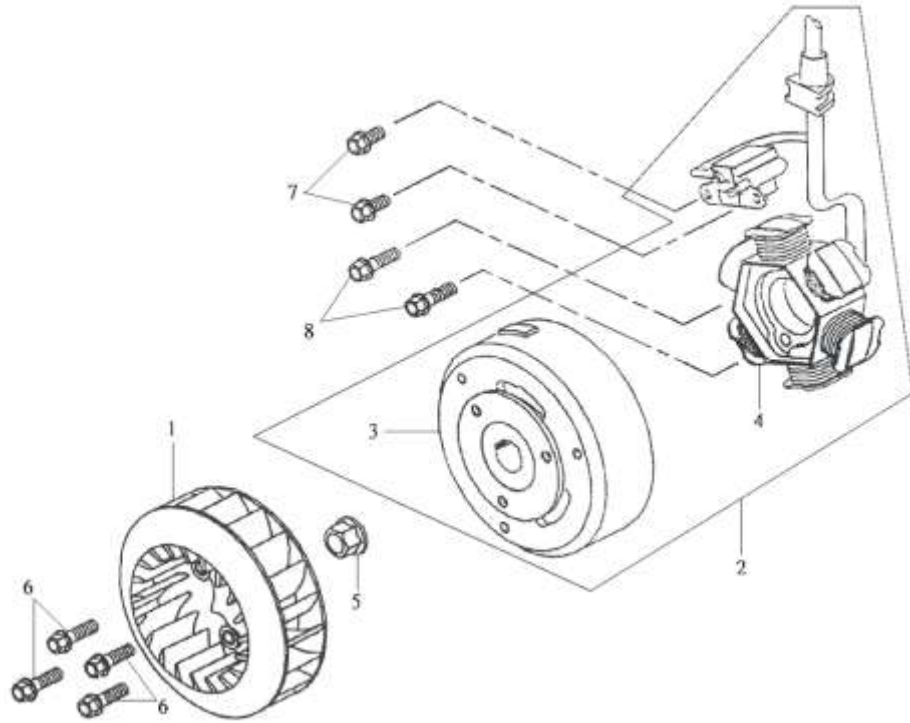
PARTS NUMBER		DESCRIPTION	QTY	EFFECTIVE DATE	
1	22102-GAH-780	Drive face	1		
2	22105-M7Q-000	N/A Drive face boss	1		
2	22105-GAH-780	Drive face boss	1		Y
3	22110-M7Q-000	Movable drive face comp	1		
4	22121-TAA-003-A	Weight roller comp	6		
5	22131-M7Q-000	Ramp plate	1		
6	22132-M7Q-000-A	Slide piece	3		
7	90426-M7Q-000	Special washer 12mm	1		
8	94001-12200-0S	Hex nut 12mm	1		
9	1B01M7Q01	Drive belt	1		
10	2201A-F3A-000	Movable drive face assy	1		



Pictures reference only

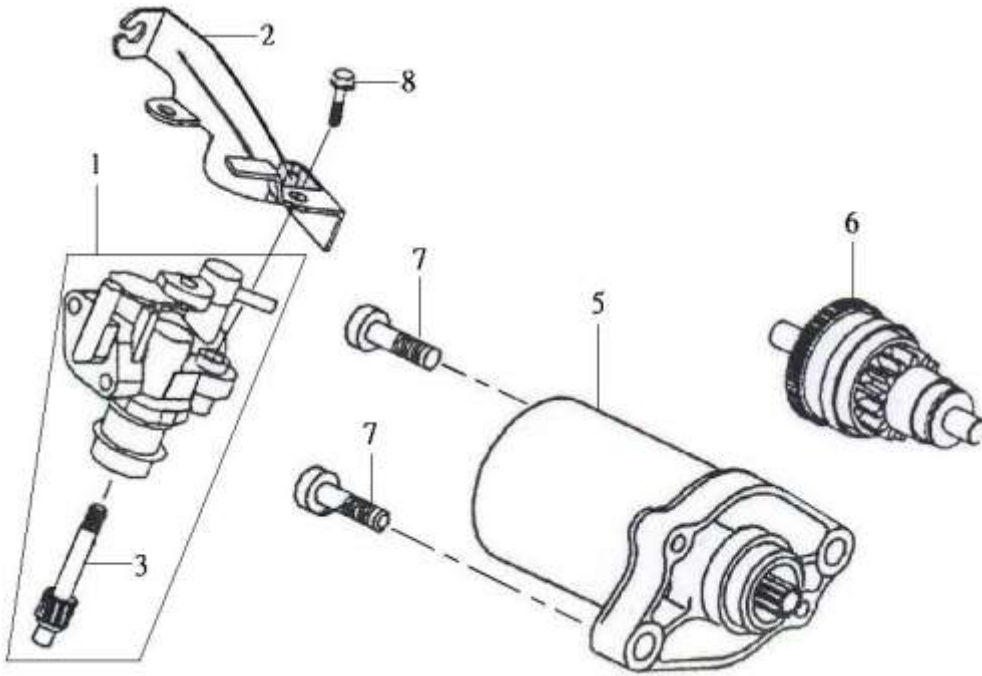
PARTS NUMBER	DESCRIPTION	QTY	EFFECTIVE DATE
1 22100-M7Q-000	Clutch outer	1	
2 22300-TAA-000	Clutch weight ass'y	1	
3 22350-M7Q-000	Drive plate comp	1	
4 22401-TAA-000	Clutch spring	3	
5 22530-M7Q-010-A	Clutch weight	3	
6 22804-A3A-000	Clutch dumper rubber	3	
7 23010-TAE-010	Driven pulley ass'y	1	
8 23200-M7Q-000	Driven face ass'y	1	
9 23220-TAA-000	Movable drive face comp	1	
10 23233-M7Q-000	N/A Driven face spring	1	
10 23233-T36-000	Driven face spring	1	Y
11 23237-T3F-000	Seal collar	1	
12 23238-M9Q-000	Spring collar	1	
13 90202-M9Q-000	Special nut 28mm	1	
14 91002-A3A-300	N/A Radial ball brg. 6901LUC3	1	
14 91001-GA7-701	Radial ball brg. 6901LUC3	1	Y
15 91103-M7Q-000	Needle brg. 17x25x18	1	
16 91211-A3A-000	Oil seal 34x39x3	2	
17 91305-M7Q-000	O-ring 36x1.5	1	
18 91302-A3A-000	O-ring 39.8x2.2	1	
19 94050-10000	Flange nut 10mm	1	
19 94050-10080	Flange nut 10mm	1	
20 23210-M7Q-000	Driven face comp	1	





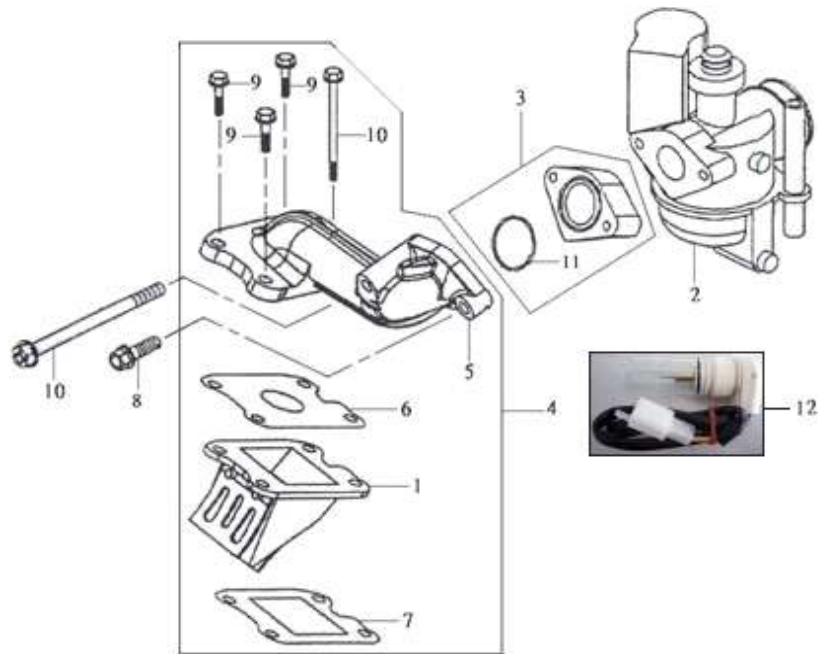
Pictures reference only

PARTS NUMBER		DESCRIPTION	QTY	EFFECTIVE DATE
1	19510-TAA-000	Cooling fan comp	1	
2	31100-TBA-000	AC. Generator ass'y (CDI)	1	
3	31110-TBA-000	Fly wheel assy	1	
4	31120-TBA-000	Stator comp	1	
5	94050-10000	Flange nut 10mm	1	
5	94050-10080	Flange nut 10mm	1	
6	95701-06016-00	Flange bolt 6x16	1	
7	96001-06012-00	Flange bolt SH 6x12	2	
8	96001-06018-00	Flange bolt SH 6x18	2	



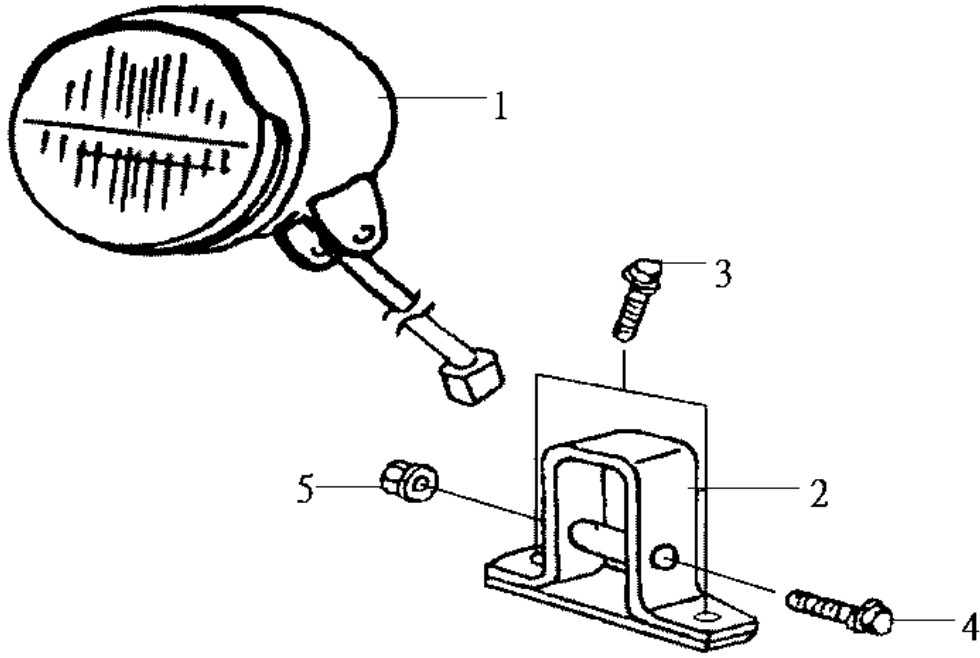
Pictures reference only

PARTS NUMBER	DESCRIPTION	Q T Y	EFFECTIVE DATE	
1 15100-T34-000-H1 revised				
2 15110-TAA-000				
3 15162-M7Q-000				
5 31200-TBA-000				
6 31209-GAK-901				
7 96001-06025-00				
8 96001-06032-00				



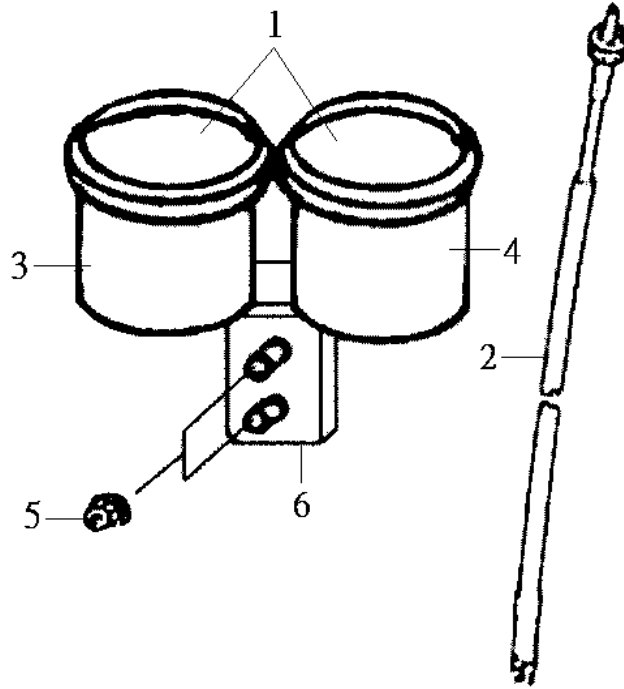
Pictures reference only

PARTS NUMBER	DESCRIPTION	QTY	EFFECTIVE DATE
1 14100-F01-000	Reed valve comp	1	
2 16100-TAN-000	Carburetor assy	1	
3 1621A-M7Q-000	Carb. Insulator ass'y	1	
4 1710A-TAE-000	Inlet pipe assy	1	
5 17100-M7Q-000	Inlet pipe comp	1	
6 17111-M7Q-000	Inlet pipe gasket	1	
7 17112-M7Q-000	Inlet pipe B gasket	1	
8 95701-06035-00	Flange bolt 6x35	1	
9 96001-06028-00	Flange bolt 6x28	3	
10 96001-06080-00	SH. Flange bolt 6x80	1	
11 91304-M7Q-000	Oil ring 20.6x1.9	1	
12 16046-TAM-000	A/BY-ST SET	1	
13 TAN-1	CARB. NEEDLE FIXING SET.	1	
14 TAN-2	CARB. SCREW FIXING SET.	1	
15 TAN-3	CARB. FLOAT FIXING SET.	1	
16 TAN-4	CARB. F.C.B FIXING SET.	1	
17 TAN-5	CARB. GASKET FIXING SET.	1	



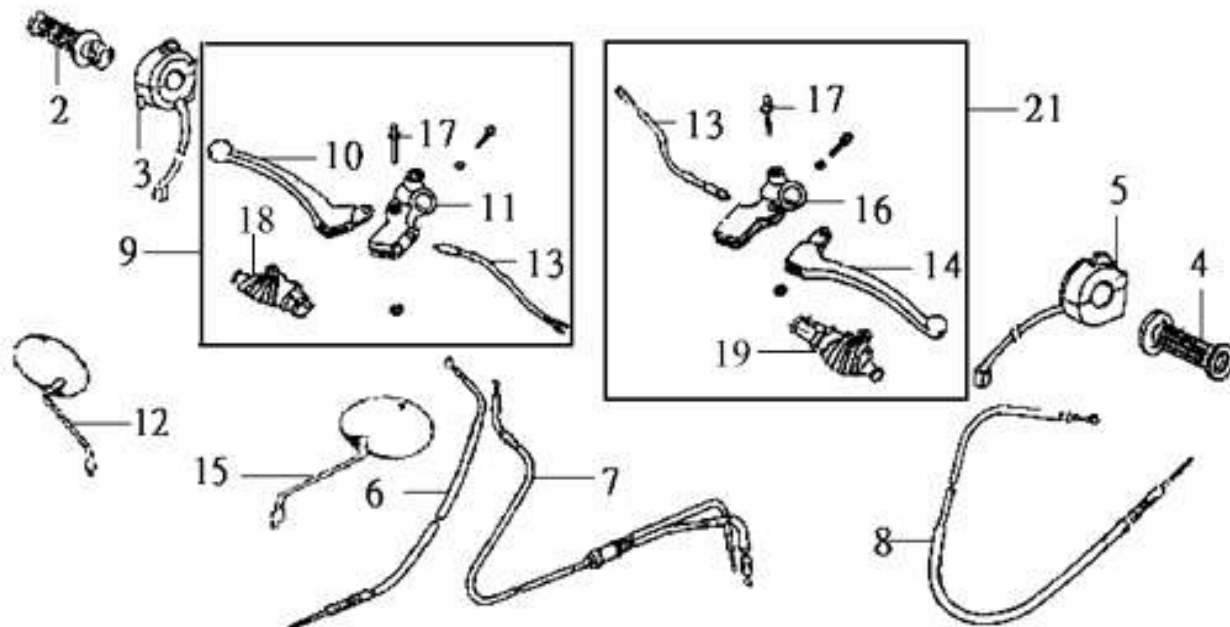
Pictures reference only

PARTS NUMBER	DESCRIPTION	QTY	EFFECTIVE DATE	
1 33100-F3K-010	Head light assy	1		
2 33124-F3G-004	Head light braket comp	1		
3 95801-06016-00	Flange bolt 6X16	2		
4 95801-08045-00	Flange bolt 8X45	1		
5 94050-08000	Flange nut 8mm	1		



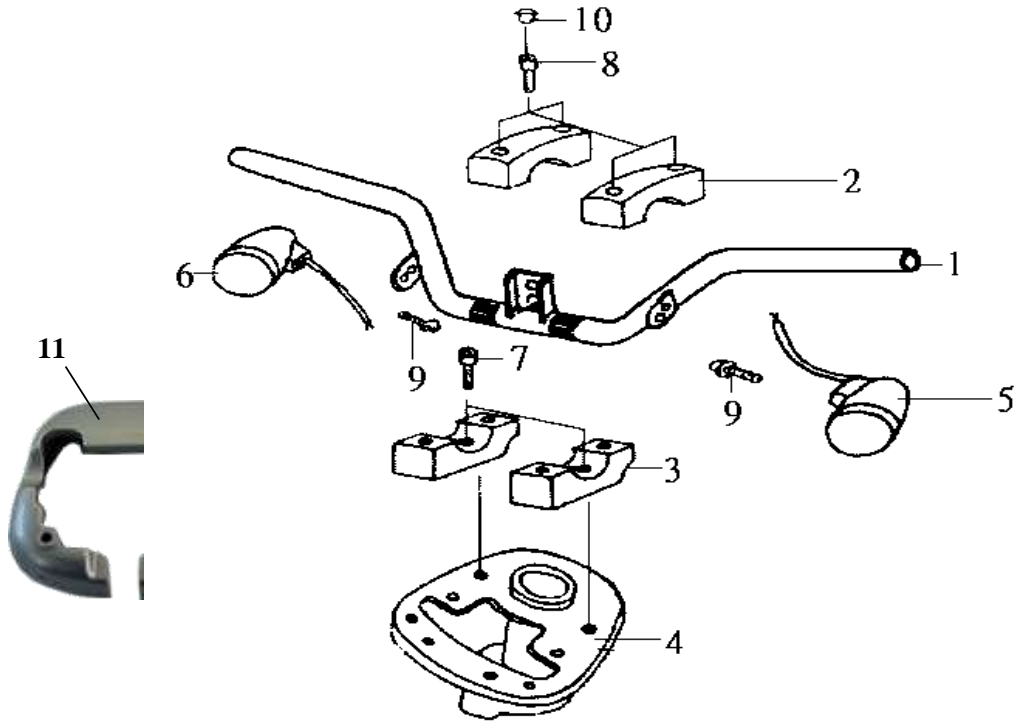
Pictures reference only

PARTS NUMBER	DESCRIPTION	Q T Y	EFFECTIVE DATE	
1 3720A-F3M-000	Meter comb. Assy	1		
2 44830-F3K-000	Speedometer cable	1		
3 37200-TDB-010	Speed meter	1		
4 37300-TDB-010	Fuel meter	1		
5 94050-06000	Flange nut 6mm	2		
6 37202-TDB-010	Meter stay	1		



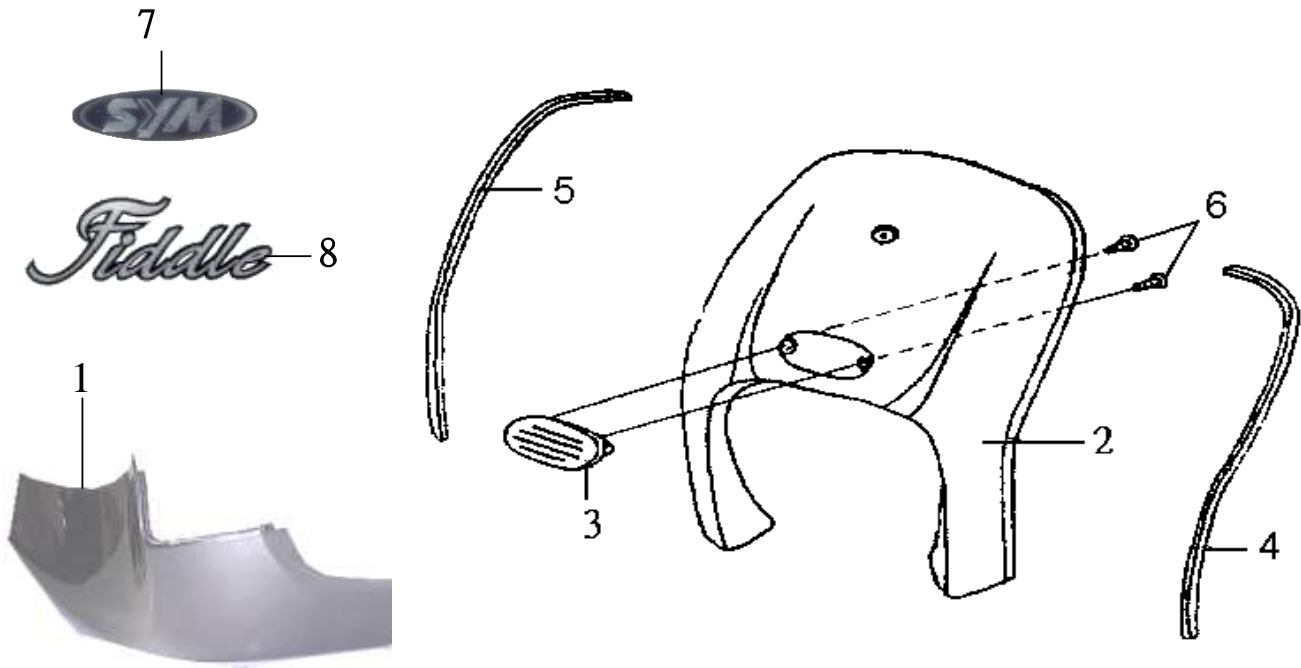
Pictures reference only

PARTS NUMBER	DESCRIPTION	QTY	EFFECTIVE DATE
2 53140-TDB-000	Thort. Grip comp	1	
3 35150-F3M-000	R. Handle sw. assy	1	
4 53166-TDB-000	L. Handle grip	1	
5 35250-F3M-000	L. Handle sw. assy	1	
6 45450-F3K-000	FR. Brake cable comp	1	
7 17910-F3G-000	Thorttle cable comp	1	
8 43450-F3G-000	RR. Beake cable comp	1	
9 5317A-F3G-000	R. Handle lever brkt. Set	1	
10 53170-F3G-000	R. Strg. Handle lever	1	
11 53171-F3G-000	R. Handle lever brkt.	1	
12 88110-N02-000	R. back mirror	1	
13 35340-B08-000	FR. Stop sw. assy	2	
14 53190-F3G-000	L. Strg. Handle lever	1	
15 88120-N02-000	L. back mirror	1	
16 53172-F3G-000	L. Handle lever brkt.	1	
17 90136-107-720	Handle lever pivot bolt 6mm	2	
18 53174-B08-000	ADD R. Handle lever cover	1	
19 53179-S02-000	ADD L. Handle lever cover	1	
21 5319A-F3G-000	L. Handle lever brkt. Set	1	



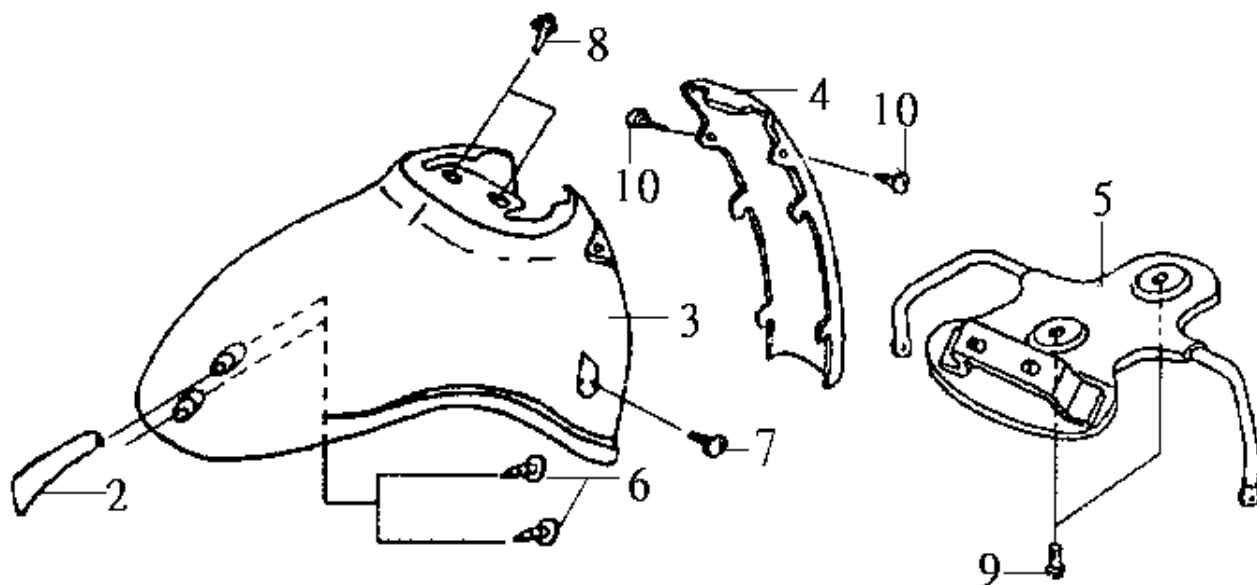
Pictures reference only

PARTS NUMBER	DESCRIPTION	QTY	EFFECTIVE DATE	
1 53100-F3G-030	STRG. Hander comp	1		
2 53131-N02-000	Handle pipe upper holder	2		
3 53231-F3G-000	Handle pipe under holder	2		
4 53110-F3G-000	Handle post comp	1		
5 33450-F3K-000	FR. L. winker assy	1		
6 33400-F3K-000	FR. R. winker assy	1		
6 33401-F3C-000	FR. R/L. winker lens	2		
7 96700-08020-00	Socket bolt 8X20	2		
8 96700-06022-00	Socket bolt 6X22	4		
9 93891-06016-00	Washer screw 6X16	2		
10 53102-N02-000	Hndl. Pipe upper holder cap	4		
11 53205-F3G-010	Handle up cover	1		



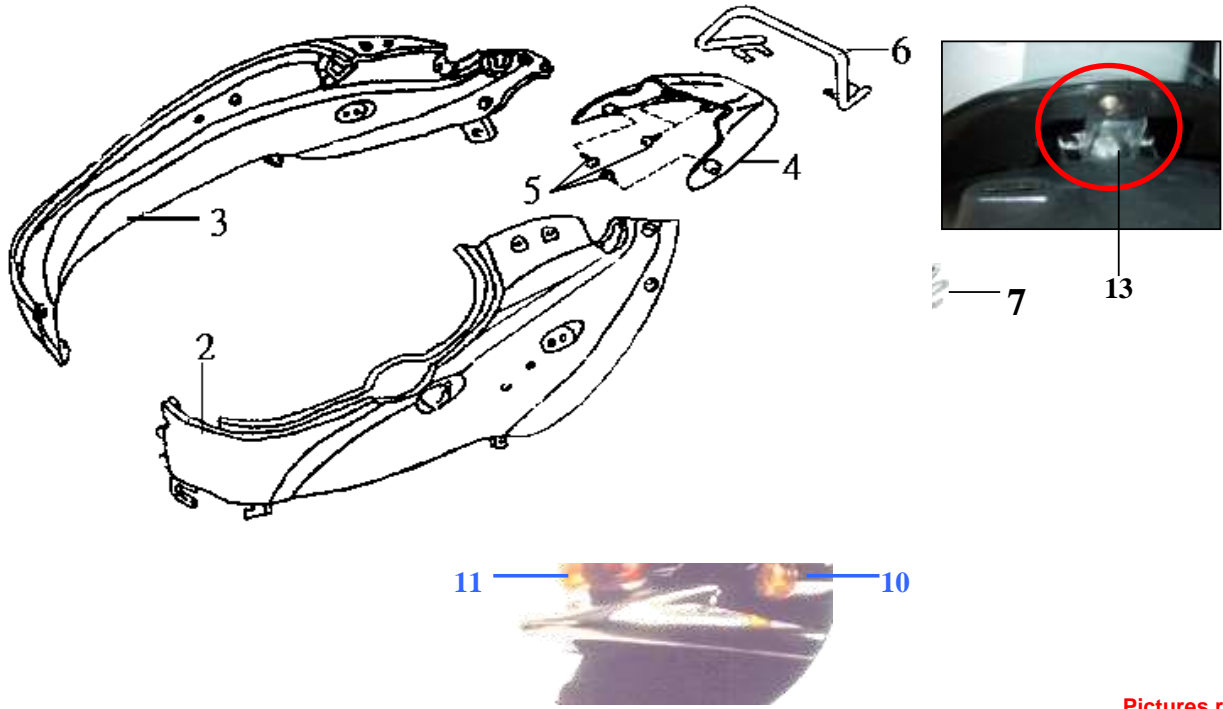
Pictures reference only

PARTS NUMBER		DESCRIPTION	QTY	EFFECTIVE DATE	
1	64400-F3C-000-KV	FR. Under spoiler	1		
1	64400-F3C-000-SM	FR. Under spoiler	1		
1	64400-F3C-000-WF	FR. Under spoiler	1		
2	64301-F3G-900-KV	FR. Cover	1		
2	64301-F3G-900-BKS	FR. Cover	1		
2	64301-F3G-900-WF	FR. Cover	1		
3	64302-F3G-000	FR. Cover emblem	1		
4	64328-F3C-000	L. FR. Cover moulding	1		
5	64318-F3C-000	R. FR. Cover moulding	1		
6	93903-34320	Tapping screw 4X12	8		
7	87124-TDB-900-T2	Sym mark	1		
7	87121-A7D-000-T2	Sym mark	1	2007/1/1	Y
8	87125-TDB-910-T2	Fr. Cover stripe	1		
8	87123-VS2-000-T2	Fr. Cover stripe	1	2007/1/1	Y
9	87128-TDB-900-T2	Fr. Cover stripe B	2		(FOR BKS)



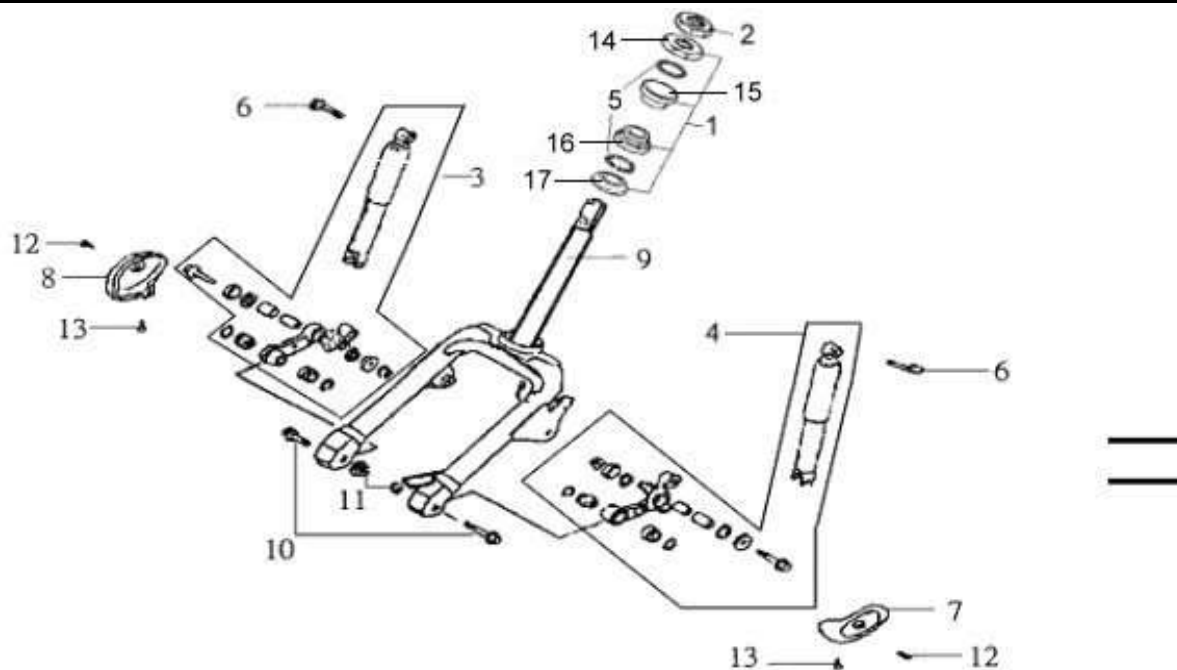
Pictures reference only

PARTS NUMBER	DESCRIPTION	QTY	EFFECTIVE DATE	
2 61300-F3C-000	FR. Fender emblem	1		
3 61100-F3C-000-KV	FR. Fender A	1		
3 61100-F3C-000-WF	FR. Fender A	1		
4 61200-F3C-000-KV	FR. Fender B	1		
4 61200-F3C-000-WF	FR. Fender B	1		
5 61104-F3G-000	FR. Fender stay comp	1		
6 90106-SA7-000	Washer screw 4X12	2		
7 91509-GE2-760	Pan screw 5mm	2		
8 90110-GZ0-000	Special screw 6X14	2		
9 93401-05012-08	Washer bolt 5X12	2		
10 93903-34320	Tapping screw 4X12	2		



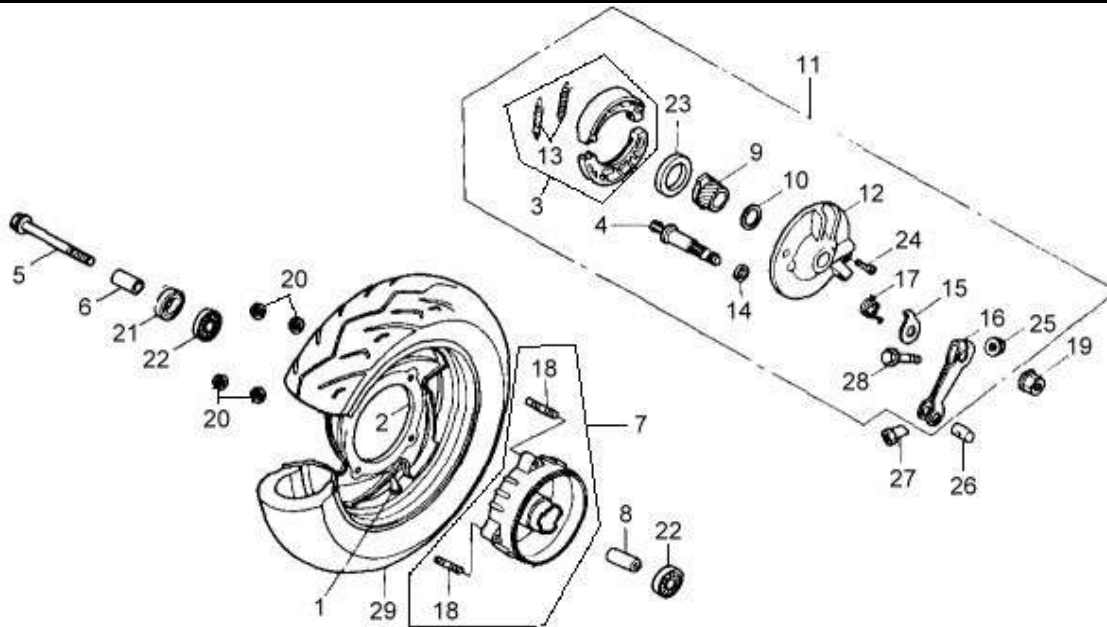
Pictures reference only

PARTS NUMBER	DESCRIPTION	QTY	EFFECTIVE DATE	
1 33741-P1A-000	RR. Reflex reflector	1		
2 83600-F3G-900-KV	L. Body cover	1		
2 83600-F3G-900-WF	L. Body cover	1		
3 83500-F3G-900-KV	R. Body cover	1		
3 83500-F3G-900-WF	R. Body cover	1		
4 83700-F3G-900-SO	Body cover garnish	1		
4 83700-F3G-900-SM	N/A Body cover garnish	1		
4 83700-F3P-000-SM	Body cover garnish	1		Y
4 83700-F3G-900-WF	Body cover garnish	1		
5 90106-SA7-000	Washer screw 4X12	4		
6 8120A-F3H-000	RR. Grip comp	1		
7 83510-F3C-000	R. body cover emblem	2		
8 83520-F3C-000-KV	R. floor side cover	1		
8 83520-F3C-000-SM	R. floor side cover	1		
8 83520-F3C-000-WF	R. floor side cover	1		
9 83620-F3C-000-KV	L. floor side cover	1		
9 83620-F3C-000-SM	L. floor side cover	1		
9 83620-F3C-000-WF	L. floor side cover	1		
10 33600-F3H-000	RR. R. winker assy	1		
11 33650-F3H-000	RR. L. winker assy	1		
12 33700-F3H-000	Tail light assy	1		
13 33740-F3P-000	add License light assy	1		



Pictures reference only

PARTS NUMBER	DESCRIPTION	QTY	EFFECTIVE DATE	
1 50300-A7A-000	Ball race set	1		
2 50306-M9Q-000	Strange stem lock nut	1		
3 51200-F3C-000	R. FR. cushion ass'y	1		
4 51300-F3C-000	L. FR. cushion ass'y	1		
5 96211-05000	Steel ball # 5	55		
6 95801-08035-08	Flange bolt 8x35	2		
7 51104-F3C-000	L. pivot arm cover	1		
8 51103-F3C-000	R. pivot arm cover	1		
9 51105-F3C-000	FR. Fork comp	1		
10 95701-08046-08	Flange bolt 8x46	2		
11 90309-M9Q-000-M1	Flange U nut 8mm	2		
12 90508-GC8-000	Flange bolt 5x9	2		
13 93891-05012-08	Washer screw 5x12	2		
14 53211-M9Q-000	STRG. TOP CONE RACE	1		
15 50301-M9Q-000	STRG. UP RACE BALL	1		
16 50305-M7Q-000	STRG. UNDER BALL RACE	1		
17 53212-M7Q-000	STRG. BOTTOM CONE RACE	1		



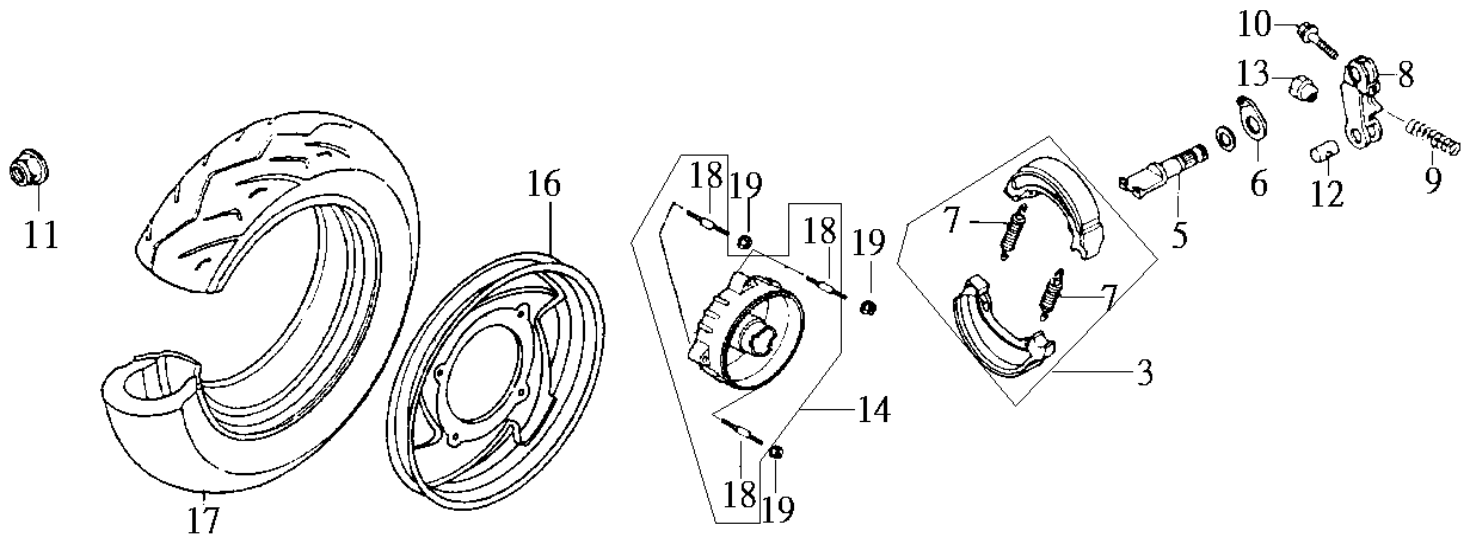
Pictures reference only

PARTS NUMBER	DESCRIPTION	QTY	EFFECTIVE DATE
1 42753-KJ9-000	RID VALVE	1	
2 42702-GE1-940-GC	WHEEL RIM COMP	1	
3 4312A-E60-000	BRAKE SHOE ASSY	1	
4 43141-M7Q-000	RR. BRK. CAM	1	
5 44301-F3C-000 N/A	FR. WHEEL AXLE	1	
6 44311-GW0-900	COLLAR FR WHEEL SIDE	1	
7 44610-M9Q-000-GC	FR. HUB SUB COMP.	1	
8 44620-GC8-000 N/A	FR. AXLE DISTANCE COLLAR	1	
8 44620-M9Q-000	FR. AXLE DISTANCE COLLAR	1	Y
9 44806-M9Q-000	SPDMT GEAR	1	
10 44807-M9Q-000	GEAR BOX PINION WASHER	1	
11 45000-F3H-000-GC	FR. BRAKE PANEL ASSY	1	
12 45100-F3C-000-GC	FR BRAKE PANEL COMP.	1	
13 45133-M9Q-800	BRAKE SHOE SPG.	2	
14 45134-M9Q-000	BRAKE CAM DUST SEAL	1	
15 45145-M7Q-000	FR. BRAKE INDICAOR	1	
16 45410-F3C-000	FR. BRAKE ARM	1	
17 45435-F3C-000	BRK. ARM RETURN SPG.	1	
18 90110-KG8-900	BOLT STUD 28*22	4	
19 90306-N01-000	SELF-LOCK NUT 12MM	1	
20 90309-GW0-901-M1	NUT U FLANGE 8 MM	4	
21 90754-GC8-003	DUST SEAL 20X32X5	1	
22 90912-M9Q-000-M1	BEARING 6201 (U)	2	
23 91251-M9Q-000-M2	OIL SEAL 41*51*5	1	
24 93700-05018-0A	SCREWOVAL 5*18	1	
25 94050-06000	FLANGE NUT 6MM	1	
26 95015-31001	BRAKE ARM JOINT A	1	
27 95015-41000-0A	ADJ. NUT	1	
28 95801-06028-00	FLANGE BOLT 6*28	1	
29 1T0130108-310A	TIRE	1	



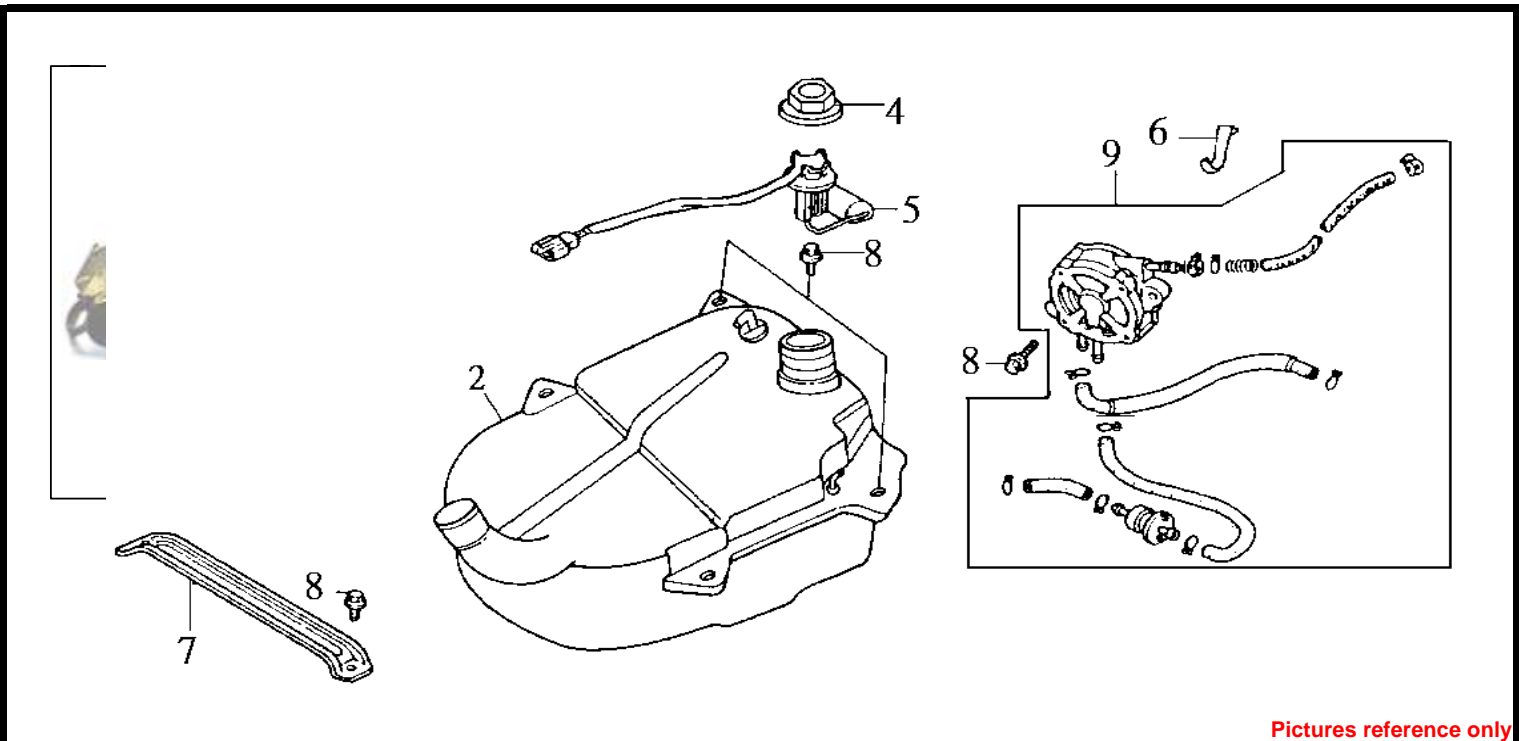
Pictures reference only

PARTS NUMBER	DESCRIPTION	QTY	EFFECTIVE DATE	
1 77200-F3H-600	Double seat comp	1		
1 77200-F3H-900	Double seat comp	1	2007/1/1	Y
2 18000-F3M-000	EXH. Muffler assy	1		
2 18000-F3M-010	EXH. Muffler assy	1	2007/2/28	
3 18318-F3E-001	EXH.Muffler protector	1		
4 77106-T36-000	HELMET HOOK	1		
5 77201-T36-000	SEAT HINGE SET	1		
6 8125A-F3C-000	LUGGAGE BOX ASSY	1		
7 77230-F3C-000	SEAT CATCH ASSY	1		
8 90105-T36-000	HINGE PIN	1		
9 90302-SA4-000	NUT SPRING 4MM	2		
10 80153-F3C-000	MAINT COVER PLUG	1		
11 93903-34380	TAPPING SCREW 4X12	2		



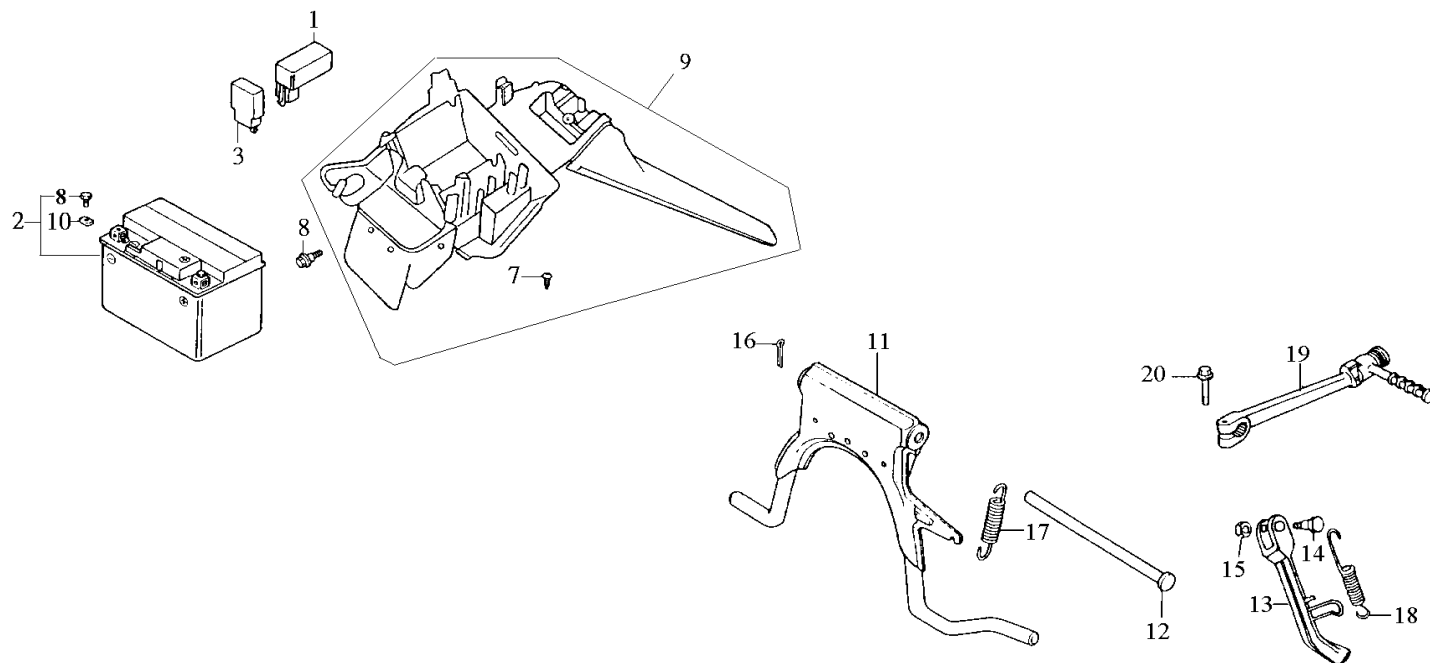
Pictures reference only

PARTS NUMBER	DESCRIPTION	QTY	EFFECTIVE DATE
3 4312A-E22-000	Brake shoe assy	1	
5 43141-M7Q-000	RR. Brake cam	1	
6 43145-M7Q-000	RR. Brake indicator	1	
7 45133-M9Q-800	Brake shoe spring	2	
8 43410-T4B-000	RR. Brake arm	1	
9 43472-F01-000	RR. Brake arm spring	1	
10 90112-187-000	Flange bolt 5x25	1	
11 90306-M9Q-000	Lock nut 12mm	1	
12 95015-31001	Brake arm joint A	1	
13 95015-41000-0A	Brk rod adjust nut A	1	
14 42610-M7Q-000-GC	RR. Hub comp	1	
16 42702-GE1-940-GC	RR. Wheel comp	1	
17 1T0130010-4PR-TM1	FR. Tire assy 3.00-10-4PR	1	
18 90110-KG8-900	Stud 11 bolt 8x22	4	
19 90309-M9Q-000	Flange U nut 8mm	4	



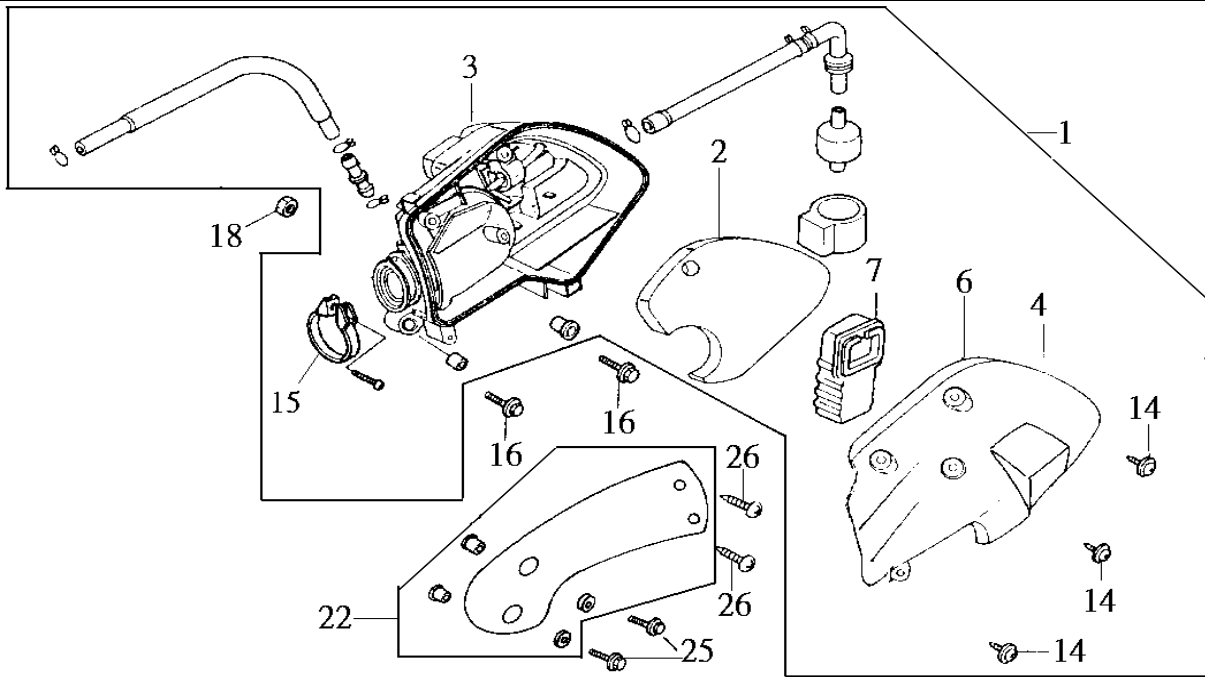
Pictures reference only

PARTS NUMBER		DESCRIPTION	QTY	EFFECTIVE DATE
1	1766A-T46-001	Filler pipe assy	1	
2	17500-T46-000	Fuel tank assy	1	
3	1750B-TDF-000	Fuel tank set	1	
4	17770-H01-000	Fuel unit lock nut	1	
5	37800-T45-000	Fuel unit	1	
6	50137-T36-000	Fuel tube clip	1	
7	50140-T36-000	Floor stay	1	
8	95701-06016-00	Flange bolt 6x16	6	
9	1670A-TAA-000	Fuel pump set	1	



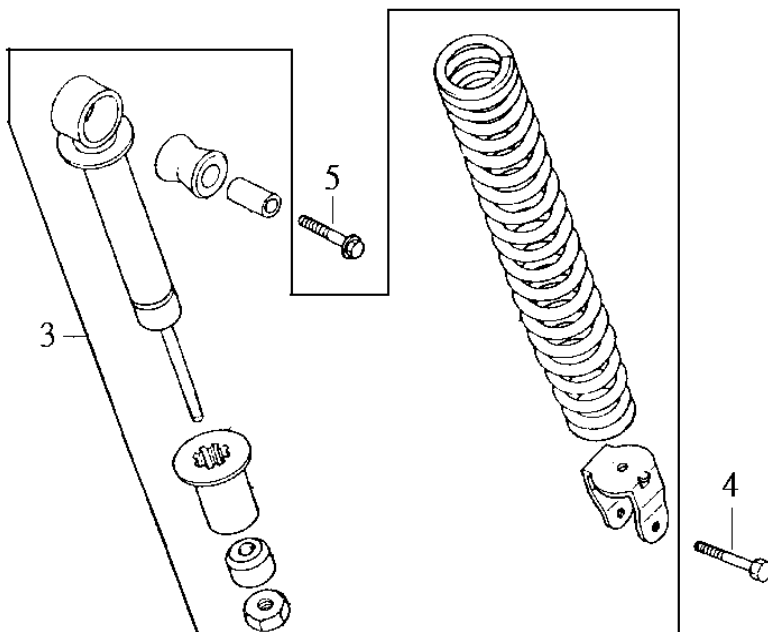
Pictures reference only

PARTS NUMBER	DESCRIPTION	QTY	EFFECTIVE DATE
1 30400-T5G-000	C.D.I unit ass'y	1	
2 1Y01GW301-Y revised	Battery YT4L-BS	1	
3 38501-GW2-900	Start relay comp	1	
8 95801-06012-08	Flange bolt 6x12	1	
9 8010A-F3M-000	RR. Fender assy	1	
10 90306-M9Q-000	Battery terminal nut	2	
11 50500-F3C-000	Main stand comp	1	
12 50503-M7Q-000	Main stand shaft	1	
13 50530-F3A-000	Side stand bar comp	1	
14 90108-F3A-000	Side stand pivot svrew	1	
15 94002-10080-0S	Hex nut 10mm	1	
16 94201-25200	Split pin 2.5	1	
17 50505-E60-000	Main stand spring	1	
18 50535-E60-000 revised	Side stand spring	1	
19 28300-M7Q-000	Kick starter arm	1	
20 95701-06022-07	Flange bolt 6x22	1	



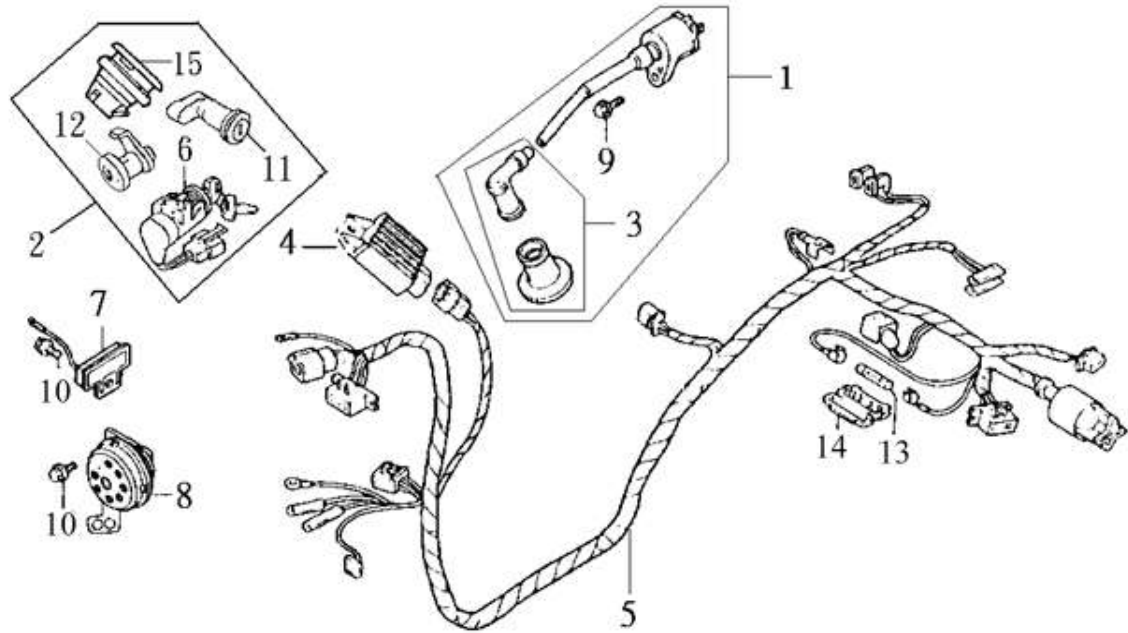
Pictures reference only

PARTS NUMBER		DESCRIPTION	QTY	EFFECTIVE DATE
1	17200-TAE-000	Air cleaner assy	1	
2	17205-T36-000	Air cleaner element	1	
3	17206-TAE-000	Air cleaner case comp	1	
4	17207-T45-010	Air cleaner rear cover	1	
6	17212-T36-000	Air cleaner cover seal	1	
7	17214-M7Q-300	Air cleaner case duct	1	
14	90103-M7Q-000	revised Screw spl tapping 5x16	5	
15	90652-GHB-640	Air cleaner connection band	1	
16	93404-06032-07	Bolt washer 6x32	2	
18	94001-06000-0S	Hex nut 6mm	1	
22	17204-TAA-000	A/C front cover assy	1	
25	95701-06020-07	Flange bolt 6x20	2	
26	93903-34480	Tapping screw 4x16	2	



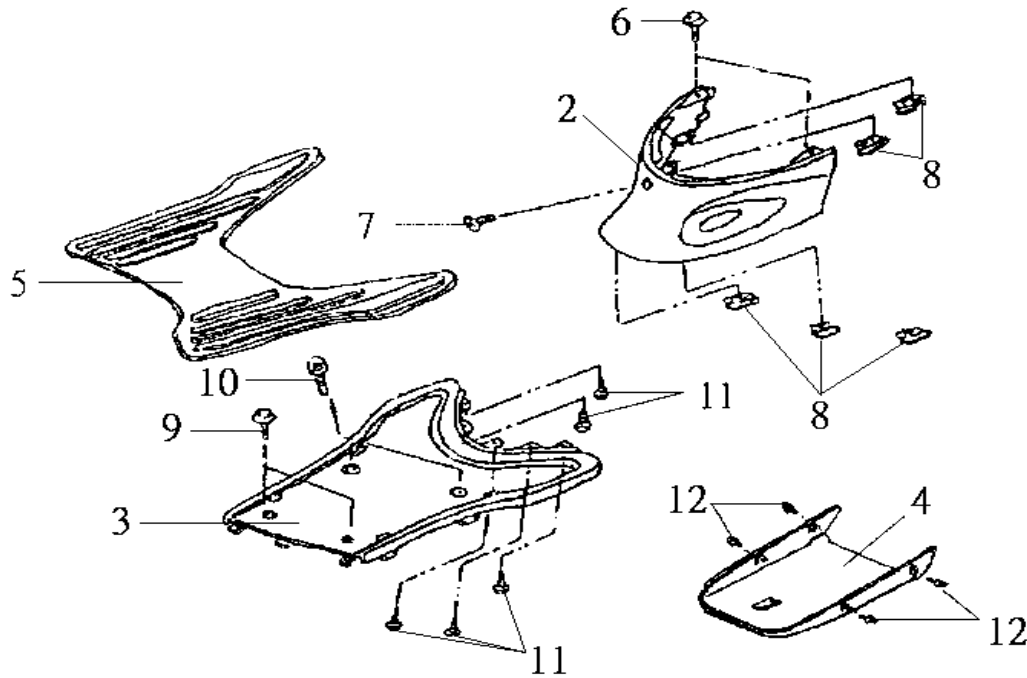
Pictures reference only

PARTS NUMBER	DESCRIPTION	QTY	EFFECTIVE DATE	
3 52400-M7Q-000	RR. Cushion assy	1		
4 93201-08032-0H	Hex. Bolt 8x32	1		
5 95801-10035-08	Flange bolt 10x35	1		



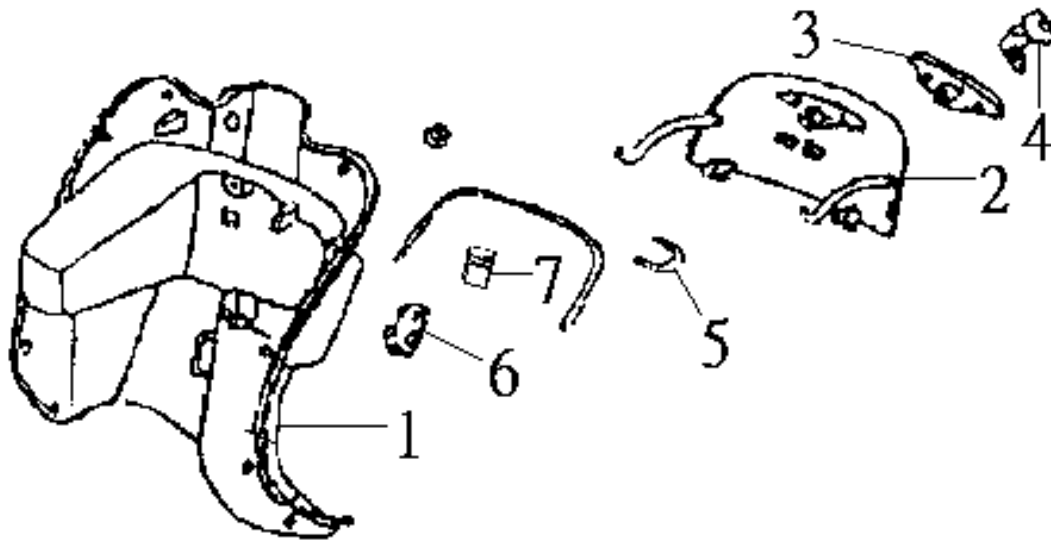
Pictures reference only

PARTS NUMBER	DESCRIPTION	QTY	EFFECTIVE DATE
1 3051A-F3C-000	Iginiton coil comp	1	
2 35010-F3H-000	ADD Key set	1	
3 30700-GS7-010	N/A Cap(assy)noise suppressor	1	
3 30700-T36-000	Cap(assy)noise suppressor	1	Y
4 31600-A39-000	Regulator rectifier comp	1	
5 32100-F3M-000	Wire harness	1	
6 3510A-F3H-000	Main switch	1	
7 35400-A3M-000	Resistor comp	1	
8 38110-F3G-000	Horn comp	1	
9 90112-187-000	Flange bolt 5x22	1	
10 95801-06012-08	Flange bolt 6x12	2	
11 77239-M9Q-000	ADD Seat lock	1	
12 77233-M9Q-900	ADD Inner box lock	1	
13 32120-155-000	ADD Fuse case 7a	1	
14 98200-10700	ADD Fuse 7a w/o box	1	
15 17620-M62-000	ADD Fuel filler cap comp	1	



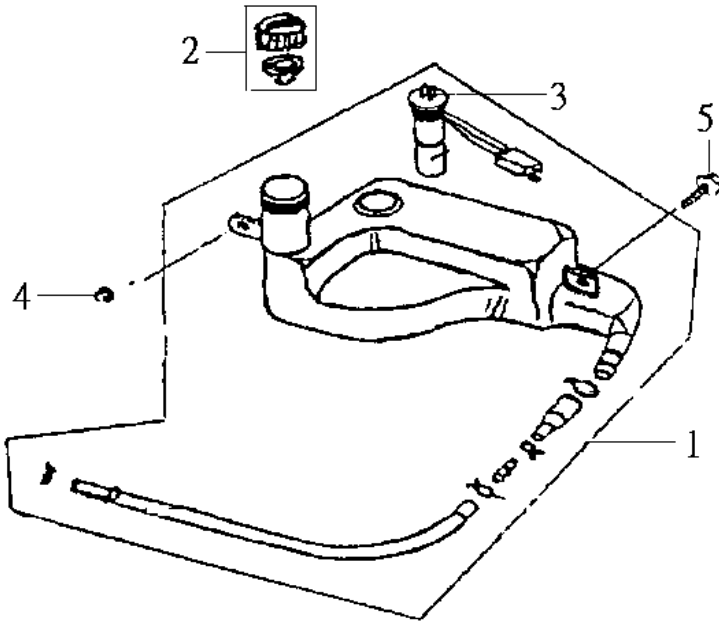
Pictures reference only

PARTS NUMBER	DESCRIPTION	QTY	EFFECTIVE DATE
1 81251-F3H-000	Battery cover	1	
2 80151-F3C-000-KV	Center cover	1	
2 80151-F3C-000-SM	Center cover	1	
2 80151-F3C-000-WF	Center cover	1	
3 50610-F3C-000-KA	Floor panel	1	
3 50610-F3C-000-GJ	Floor panel	1	
4 50611-F3C-000-KA	Under cover	1	
5 64320-F3C-000-KA	Floor panel mat	1	
5 64320-F3C-000-GJ	Floor panel mat	1	
6 90111-GJ5-000	Bolt flange 6MM	2	
7 90117-T15-000	Washer screw	1	
8 90302-V02-000	Spring nut 4mm	5	
9 90111-147-000	Flange bolt 6mm	2	
10 93404-06040-07	Washer bolt 6x40	2	
11 93903-24320	Tapping screw 4x12	5	
12 93404-06012-08	Washer bolt 6x12	4	



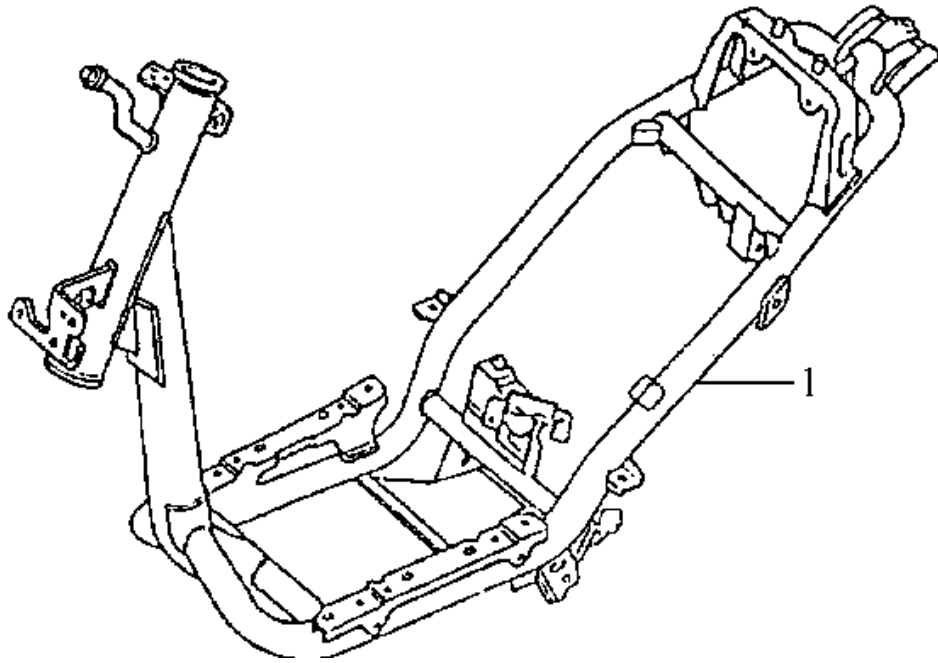
Pictures reference only

PARTS NUMBER		DESCRIPTION	QTY	EFFECTIVE DATE
1	64304-F3H-000-KA	Inner box	1	
1	64304-F3H-000-GJ	Inner box	1	
2	64308-F3C-012-KA	Inner box lid	1	
2	64308-F3C-010-GJ	Inner box lid	1	
4	77233-M9Q-000	Inner box lock assy	1	
5	75581-M9Q-000	N/A Lock key set spring	1	
5	75581-A16-000	Lock key set spring	1	Y
6	64313-F3C-000-KA	Frame number lid	1	
6	64313-F3C-000-GJ	Frame number lid	1	
7	38300-T53-010	Flaser relay	1	



Pictures reference only

PARTS NUMBER	DESCRIPTION	Q T Y	EFFECTIVE DATE	
1 5510A-F3C-000	Oil tank assy	1		
2 55105-KBN-900	Oil cap assy	1		
3 35410-F3C-000	Oil lever switch comp	1		
4 94050-06080	Flange nut 6mm	1		
5 90111-M9Q-900	Flange bolt 6mm	1		



Pictures reference only

PARTS NUMBER	DESCRIPTION	Q T Y	EFFECTIVE DATE	
1 50100-F3M-000	Frame body comp	1		

PARTS NO. INDEX

PARTS NO.	NO.		PARTS NO.	NO.		PARTS NO.
11000			17205-T36-000	F14		23210-M7Q-000
11100-TAE-000	E04		17206-TAE-000	F14		23220-TAA-000
11102-M7Q-300	E04		17207-T45-010	F14		23233-M7Q-000
11200-TAE-000	E04		17212-T36-000	F14		23233-T36-000
11203-M9Q-300	E04		17214-M7Q-300	F14		23237-T3F-000
11340-TDA-000	E06		17500-T46-000	F12		23238-M9Q-000
1134A-TDA-000	E06		1750B-TDF-000	F12		23411-M7Q-000
11395-TAA-000	E06		17620-M62-000	F16		23420-TAA-000
12000			1766A-T46-001	F12		23430-TAA-000
12100-M7Q-000	E02		17770-H01-000	F12		23431-M7Q-300
12191-M7Q-000	E02		17910-F3G-000	F03		23432-TAA-000
1220A-TAA-000	E02		18000			28000
12251-M7Q-000	E02		18000-F3M-000	F10		28223-M7Q-000
13000			18000-F3M-010	F10		2823A-F01-000
13000-TAA-000	E03		18318-F3E-001	F10		28250-M7Q-000
13010-M7Q-000	E03		19000			28253-M7Q-000
13101-T5C-000	E03		19510-TAA-000	E09		28281-M7Q-000
13111-M7Q-000	E03		19600-F3G-000	E01		28300-M7Q-000
13115-M7Q-000	E03		19621-TAA-000	E01		30000
13201-M7Q-300	E03		21000			30400-T5G-000
13202-M7Q-300	E03		21200-TAE-000	E05		3051A-F3C-000
13381-M7Q-300	E03		21395-TAA-000	E05		30700-GS7-010
14000			22000			30700-T36-000
14100-F01-000	E11		2201A-F3A-000	E07		31000
15000			22100-M7Q-000	E08		31100-TBA-000
15100-T34-000-H1	E10		22102-GAH-780	E07		31110-TBA-000
15110-TAA-000	E10		22105-GAH-780	E07		31120-TBA-000
15162-M7Q-000	E10		22105-M7Q-000	E07		31200-TBA-000
16000			22110-M7Q-000	E07		31209-GAK-901
16046-TAM-000	E11		22121-TAA-003-A	E07		31600-A39-000
16100-TAN-000	E11		22131-M7Q-000	E07		32000
1621A-M7Q-000	E11		22132-M7Q-000-A	E07		32100-F3M-000
1670A-TAA-000	F12		22300-TAA-000	E08		32120-155-000
17000			22350-M7Q-000	E08		33000
17100-M7Q-000	E11		22401-TAA-000	E08		33100-F3K-010

1710A-TAE-000	E11	22530-M7Q-010-A	E08	33124-F3G-004
17111-M7Q-000	E11	22804-A3A-000	E08	33400-F3K-000
17112-M7Q-000	E11	23000		33401-F3C-000
17200-TAE-000	F14	23010-TAE-010	E08	33450-F3K-000
17204-TAA-000	F14	23200-M7Q-000	E08	33600-F3H-000

08.05

NO.	
E08	
E08	
E08	
E08	
E08	
E08	
E05	
E05	
E05	
E05	
E05	
E06	
E06	
E06	
E06	
E06	
F13	
F13	
F16	
F16	
F16	
E09	
E09	
E09	
E10	
E10	
F16	
F16	
F16	
F16	
F01	

F01	
F04	
F04	
F04	
F07	

PARTS NO. INDEX

PARTS NO.	NO.		PARTS NO.	NO.		PARTS NO.
33650-F3H-000	F07		44620-GC8-000	F09		53100-F3G-030
33700-F3H-000	F07		44620-M9Q-000	F09		53102-N02-000
33740-F3P-000	F07		44806-M9Q-000	F09		53110-F3G-000
33741-P1A-000	F07		44807-M9Q-000	F09		53131-N02-000
35000			44830-F3K-000	F02		53140-TDB-000
35010-F3H-000	F16		45000			53166-TDB-000
3510A-F3H-000	F16		45000-F3H-000-GC	F09		53170-F3G-000
35150-F3M-000	F03		45100-F3C-000-GC	F09		53171-F3G-000
35250-F3M-000	F03		45133-M9Q-800	F09		53172-F3G-000
35340-B08-000	F03		45133-M9Q-800	F11		53174-B08-000
35400-A3M-000	F16		45134-M9Q-000	F09		53179-S02-000
35410-F3C-000	F19		45145-M7Q-000	F09		5317A-F3G-000
37000			45410-F3C-000	F09		53190-F3G-000
37200-TDB-010	F02		45435-F3C-000	F09		5319A-F3G-000
37202-TDB-010	F02		45450-F3K-000	F03		53205-F3G-010
3720A-F3M-000	F02		50000			53211-M9Q-000
37300-TDB-010	F02		50100-F3M-000	F20		53212-M7Q-000
37800-T45-000	F12		50137-T36-000	F12		53231-F3G-000
38000			50140-T36-000	F12		55000
38110-F3G-000	F16		50300-A7A-000	F08		55105-KBN-900
38300-T53-010	F18		50301-M9Q-000	F08		5510A-F3C-000
38501-GW2-900	F13		50305-M7Q-000	F08		61000
42000			50306-M9Q-000	F08		61100-F3C-000-KV
42610-M7Q-000-GC	F11		50500-F3C-000	F13		61100-F3C-000-WF
42702-GE1-940-GC	F09		50503-M7Q-000	F13		61104-F3G-000
42702-GE1-940-GC	F11		50505-E60-000	F13		61200-F3C-000-KV
42753-KJ9-000	F09		50530-F3A-000	F13		61200-F3C-000-WF
43000			50535-E60-000	F13		61300-F3C-000
4312A-E22-000	F11		50610-F3C-000-GJ	F17		64000
4312A-E60-000	F09		50610-F3C-000-KA	F17		64301-F3G-900-BKS
43141-M7Q-000	F09		50611-F3C-000-KA	F17		64301-F3G-900-KV
43141-M7Q-000	F11		51000			64301-F3G-900-WF
43145-M7Q-000	F11		51103-F3C-000	F08		64302-F3G-000
43410-T4B-000	F11		51104-F3C-000	F08		64304-F3H-000-GJ
43450-F3G-000	F03		51105-F3C-000	F08		64304-F3H-000-KA

43472-F01-000	F11	51200-F3C-000	F08	64308-F3C-010-GJ
44000		51300-F3C-000	F08	64308-F3C-012-KA
44301-F3C-000	F09	52000		64313-F3C-000-GJ
44311-GW0-900	F09	52400-M7Q-000	F15	64313-F3C-000-KA
44610-M9Q-000-GC	F09	53000		64318-F3C-000

08.05

NO.	
F04	
F04	
F04	
F04	
F03	
F03	
F03	
F03	
F03	
F03	
F03	
F03	
F03	
F03	
F04	
F08	
F08	
F04	
F19	
F19	
F06	
F06	
F06	
F06	
F06	
F06	
F05	
F05	
F05	
F05	
F18	
F18	

F18	
F18	
F18	
F18	
F05	

PARTS NO.	NO.		PARTS NO.	NO.		PARTS NO.
64320-F3C-000-GJ	F17		83700-F3G-900-SM	F07		90309-GW0-901-M1
64320-F3C-000-KA	F17		83700-F3G-900-SO	F07		90309-M9Q-000
64328-F3C-000	F05		83700-F3G-900-WF	F07		90309-M9Q-000-M1
64400-F3C-000-KV	F05		83700-F3P-000-SM	F07		90412-M7Q-000
64400-F3C-000-SM	F05		87000			90426-M7Q-000
64400-F3C-000-WF	F05		87121-A7D-000-T2	F05		90429-GN2-003
75000			87123-VS2-000-T2	F05		90429-M7Q-000
75581-A16-000	F18		87124-TDB-900-T2	F05		90451-M7Q-000
75581-M9Q-000	F18		87125-TDB-910-T2	F05		90454-M7Q-000
77000			87128-TDB-900-T2	F05		90481-M9Q-000
77106-T36-000	F10		88000			90488-700-000
77200-F3H-600	F10		88110-N02-000	F03		90508-GC8-000
77200-F3H-900	F10		88120-N02-000	F03		90652-GHB-640
77201-T36-000	F10		90000			90703-M8Q-000
77230-F3C-000	F10		90001-GA7-000	E02		90741-M7Q-000
77233-M9Q-000	F18		90001-M7Q-000	E02		90754-GC8-003
77233-M9Q-900	F16		9000A-TAA-000	E06		90912-M9Q-000-M1
77239-M9Q-000	F16		9000B-TAA-000	E06		91000
80000			90035-GF4-000	E04		91001-GA7-701
8010A-F3M-000	F13		90103-M7Q-000	F14		91001-M6Q-000
80151-F3C-000-KV	F17		90105-T36-000	F10		91002-A3A-300
80151-F3C-000-SM	F17		90106-SA7-000	F06		91005-M7Q-000
80151-F3C-000-WF	F17		90106-SA7-000	F07		91028-M7Q-000
80153-F3C-000	F10		90108-F3A-000	F13		91102-M7Q-000
81000			90110-GZ0-000	F06		91103-M7Q-000
8120A-F3H-000	F07		90110-KG8-900	F09		91201-F01-000
81251-F3H-000	F17		90110-KG8-900	F11		91202-F01-000
8125A-F3C-000	F10		90111-147-000	F17		91204-M7Q-000
83000			90111-GJ5-000	F17		91211-A3A-000
83500-F3G-900-KV	F07		90111-M9Q-900	F19		91251-M9Q-000-M2
83500-F3G-900-WF	F07		90112-187-000	F11		91254-M7Q-000
83510-F3C-000	F07		90112-187-000	F16		91302-A3A-000
83520-F3C-000-KV	F07		90117-T15-000	F17		91304-M7Q-000
83520-F3C-000-SM	F07		90136-107-720	F03		91305-M7Q-000
83520-F3C-000-WF	F07		90202-M9Q-000	E08		91509-GE2-760

83600-F3G-900-KV	F07	90302-SA4-000	F10	92000
83600-F3G-900-WF	F07	90302-V02-000	F17	92900-06016-1B
83620-F3C-000-KV	F07	90306-M9Q-000	F11	93000
83620-F3C-000-SM	F07	90306-M9Q-000	F13	93201-08032-0H
83620-F3C-000-WF	F07	90306-N01-000	F09	93401-05012-08

08.05

NO.	
F09	
F11	
F08	
E06	
E07	
E05	
E05	
E06	
E05	
E04	
E04	
F08	
F14	
E06	
E03	
F09	
F09	
E08	
E03	
E08	
E03	
E05	
E03	
E08	
E04	
E04	
E04	
E08	
F09	
E05	
E08	
E11	
E08	
F06	

E02	
F15	
F06	

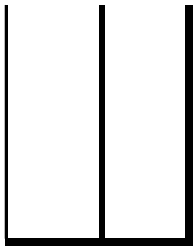
PARTS NO. INDEX

PARTS NO.	NO.		PARTS NO.	NO.		PARTS NO.
93404-06012-08	F17		95701-08040-00	E04		1Y01GW301-Y
93404-06032-07	F14		95701-08045-00	E04		CARB. FIXING SET
93404-06040-07	F17		95701-08046-08	F08		TAN-1
93700-05018-0A	F09		95801-06012-08	F13		TAN-2
93891-05012-08	F08		95801-06012-08	F16		TAN-3
93891-06016-00	F04		95801-06016-00	F01		TAN-4
93903-24320	F17		95801-06028-00	F09		TAN-5
93903-34320	F05		95801-08035-08	F08		
93903-34320	F06		95801-08045-00	F01		
93903-34380	F10		95801-10035-08	F15		
93903-34480	F14		96000			
94000			96001-06012-00	E09		
94001-06000-0S	F14		96001-06016-00	E01		
94001-12200-0S	E07		96001-06018-00	E09		
94002-10080-0S	F13		96001-06025-00	E01		
94050-06000	F02		96001-06025-00	E10		
94050-06000	F09		96001-06028-00	E11		
94050-06080	F19		96001-06032-00	E10		
94050-08000	F01		96001-06040-00	E04		
94050-10000	E08		96001-06045-00	E04		
94050-10000	E09		96001-06060-00	E04		
94050-10080	E08		96001-06075-00	E04		
94050-10080	E09		96001-06080-00	E11		
94201-25200	F13		96100-62013-00	E05		
94301-08200	E04		96100-62023-00	E05		
94301-10160	E05		96100-62033-00	E05		
94301-10200	E05		96100-62033-10	E05		
94511-14000	E06		96211-05000	F08		
95000			96700-06022-00	F04		
95015-31001	F09		96700-08020-00	F04		
95015-31001	F11		98000			
95015-41000-0A	F09		98200-10700	F16		
95015-41000-0A	F11		DRIVE BELT			
95701-06016-00	E09		1B01M7Q01	E07		
95701-06016-00	F12		SPARK PLUG			

95701-06020-07	F14	1PBR8HSA-3	E02	
95701-06022-07	F13	TIRE		
95701-06035-00	E11	1T0130010-4PR-TM1	F11	
95701-08012-00	E04	1T0130108-310A	F09	
95701-08030-00	E04	BATTERY		

08.05

NO.	
F13	
E11	
E11	
E11	
E11	
E11	



MODEL:FA05U-8

ITEM	PAGE	ORIGINAL NUMBER	DESCRIPTION	REVISED NUMBER	EFFECTIVE DATE	REVISE DATE
1	E05	96100-62033-00	Radial ball bearing6203T/C3	96100-62033-10		2004/1/12
2	E05	94301-10160	Dowel pin 10x16	94301-10200		2005/4/27
3	E06			90703-M8Q-000		
4	E08	94050-10000	Flange nut 10mm	94050-10080		
5	E09	94050-10000	Flange nut 10mm	94050-10080		
6	E10			15100-T34-000-H1		
7	F08			53212-M7Q-000		
8	F14			90103-M7Q-000		
9	F13			1Y01GW301-Y		
10	F04		Handle up cover	53205-F3G-010		2007/6/26
11	F07		License light assy	33740-F3P-000		2007/8/15
12	F03		R. Handle lever cover	53174-B08-000		2007/9/26
13	F03		L. Handle lever cover	53179-S02-000		2007/9/26
14	F10		HELMET HOOK	77106-T36-000		2007/11/15
15	F10		SEAT HINGE SET	77201-T36-000		2007/11/15
16	F10		LUGGAGE BOX ASSY	8125A-F3C-000		2007/11/15
17	F10		SEAT CATCH ASSY	77230-F3C-000		2007/11/15
18	F10		HINGE PIN	90105-T36-000		2007/11/15
19	F10		NUT SPRING 4MM	90302-SA4-000		2007/11/15
20	F10		MAINT COVER PLUG	80153-F3C-000		2007/11/15
21	F10		TAPPING SCREW 4X12	93903-34380		2007/11/15
22	F16		KEY SET	35010-F3H-000		2008/05/05
23	F16		SEAT LOCK	77239-M9Q-000		2008/05/05
24	F16		INNER BOX LOCK	77233-M9Q-900		2008/05/05
25	F16		FUSE CASE 7A	32120-155-000		2008/05/05
26	F16		FUSE 7A W/O BOX	98200-10700		2008/05/05
27	F16		FUEL FILLER CAP COMP	17620-M62-000		2008/05/05
28	E08		Driven face comp	23210-M7Q-000		2008/11/27
29	E08		Drive plate comp	22350-M7Q-000		2008/11/27
30	E08		Clutch spring	22401-TAA-000		2008/11/27
31	E08		Clutch weight	22530-M7Q-010-A		2008/11/27
32	E08		Clutch dumper rubber	22804-A3A-000		2008/11/27
33	F05		SYM MARK (40 STRIPE) TY	87121-A7D-000-T1		2008/11/28

34	F05		S MARK	87123-VS2-002		2008/11/28
35						
36						
37						
38						
39						
40						
41						
42						
43						
44						
45						
46						
47						
48						
49						
50						
51						
52						
53						
54						
55						
56						
57						
58						
59						
60						
61						
62						
63						
64						
65						
66						
67						
68						
69						
70						

71						
72						
73						
74						
75						
76						
77						
78						
79						
80						
81						
82						
83						
84						
85						
86						
87						
88						
89						
90						
91						
92						
93						
94						
95						
96						
97						
98						
99						
100						
101						
102						
103						
104						
105						
106						
107						

108						
109						
110						

